



KRAL ARMS

PRODUCT CATALOGUE



RIFLES



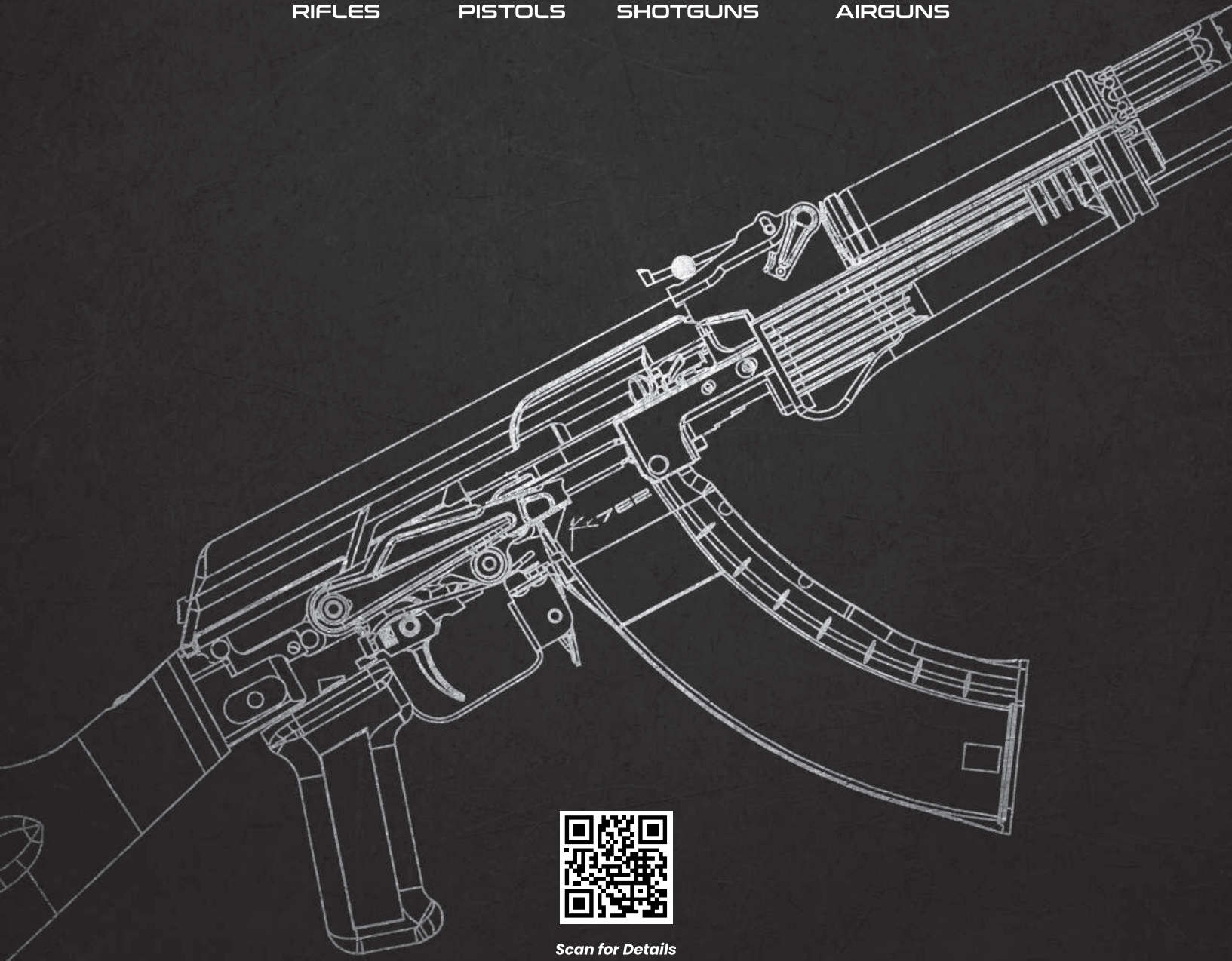
PISTOLS



SHOTGUNS



AIRGUNS

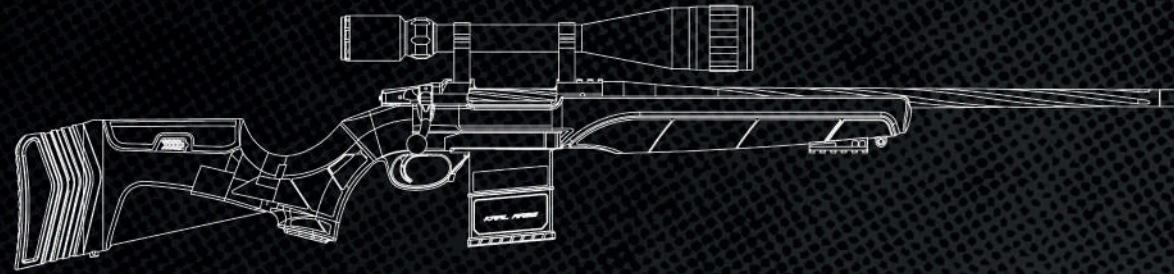


Scan for Details

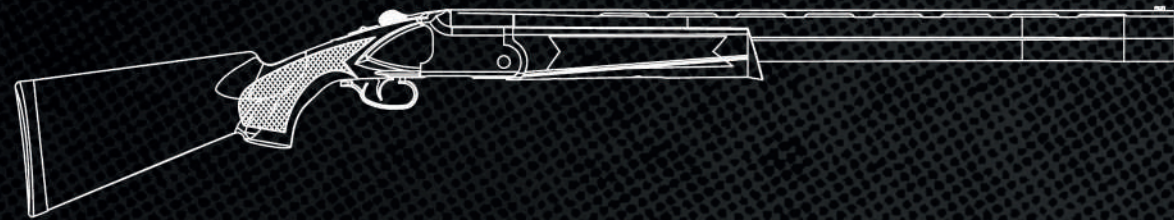
PISTOLS



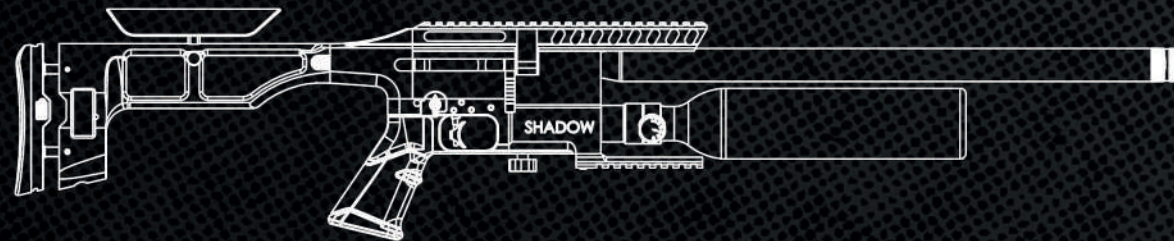
BOLT ACTION RIFLES



SHOTGUNS



AIRGUNS



RIFLE



INDEX

Pistol & Rifle

| | |
|--------------------|----|
| KR9 PISTOL..... | 7 |
| KRA9 PISTOL..... | 11 |
| KRI1 PISTOL..... | 19 |
| KR380 PISTOL..... | 21 |
| KR22 RIFLE..... | 23 |
| KR556 & KR223..... | 31 |
| KR762..... | 41 |
| KR308..... | 43 |

Shotgun & Defence

| | |
|-------------------------|----|
| Side By Side..... | 47 |
| Over & Under..... | 49 |
| Semi Automatic..... | 65 |
| Tactical Semi Auto..... | 81 |
| Magazine Fed..... | 85 |

Airguns

| | |
|------------------|-----|
| PCP Puncher..... | 93 |
| N Series..... | 125 |

Accessories

| | |
|---------------|-----|
| Airguns..... | 133 |
| Shotguns..... | 137 |

RELIABILITY EXPERTISE PRECISION



KRAL ARMS

Only the highest and most advanced technologies

| First Facility | Second Facility | Total |
|-----------------------|-----------------------|-----------------------|
| 18.000 m ² | 25.000 m ² | 43.000 m ² |
| integrated facility | integrated facility | |

▶ **more than 250**
experts in the field

▶ **Over 100**
impeccable products with craftsmanship and highest technology

▶ **Over 90**
countries of importers

▶ **All in One**
facility for metal, wood, polymer injection and assembly
process and production

▶ **24**
licenced brands and technologies

Kral Arms is one of the leading manufacturers of both firearms and air guns.

We are an export-focused company that has been exporting products to over 90 countries worldwide, serving a broad customer portfolio. Our company is a 100 % all-in-one integrated factory with two modern production facilities: one, covering 18,000 m², is located in Üzümlü/Beyşehir, and the second—newly established in the Beyşehir Organized Industrial Zone—covers 25,000 m².

The company delivers quality and innovation in every product, supported by more than 250 experienced staff and high-tech CNC machinery. In addition to all these efforts, since 2020 our company has also focused on rifled firearms, making significant investments in the production of pistols and rifles, thereby contributing to the advancement of our country's defense industry.

Kral Arms' main products include semi-automatic, over-and-under, pump-action, and magazine-fed shotguns; 9x19mm pistols; 223 Rem / 5.56x45mm NATO AR-platform rifles; 7.62x39mm AK-platform rifles; and .308 Win. bolt-action rifles, as well as pre-charged pneumatic (PCP) and break-barrel air rifles. The company is renowned for its unique airguns and has been Türkiye's best-known firearms manufacturer since 1997.

A
B
O
U
T
U
S

KR9 SERIES

Elegant - Ergonomic - Lightweight



Power and Lightweight Excellence

KR9 pistols are comfortable to carry, safe to operate and easy to shoot accurately. A weight of 540 grams (19,04 ounces) with an empty magazine and barrel length of 82 mm (3.22"); it is well suited for concealed carry. With a manageable recoil, this is the ideal subcompact carry gun.

- ▶ Short barrels and thin profiles ensure concealability
- ▶ Lightweight and easy to carry
- ▶ Smaller grip dimensions provide a good fit for all hand sizes



Trigger Lock



KR9 BLACK
ALUMINUM FRAMED PISTOLS



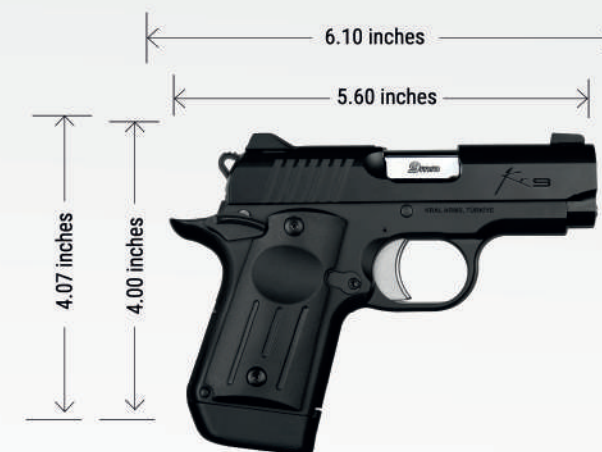
KR9 SILVER
ALUMINUM FRAMED PISTOLS



KR9 FDE
ALUMINUM FRAMED PISTOLS



KR9 TUNGSTEN
ALUMINUM FRAMED PISTOLS



Optional: Grip & Magazine

KR9 SEMI AUTOMATIC PISTOLS | Hammer-Fired, Cut-Broached Six-Groove Rifling (1:10 twist), and Safe Takedown System.

| CALIBER | CAPACITY | BARREL LENGTH & FINISH | TWIST | SAFETY CONFIGURATION | SIGHTS (SIGHT RADIUS) | OVERALL DIMENSIONS | | | WEIGHT EMPTY / FULL |
|---------|----------|------------------------|-------|----------------------------|-----------------------|--------------------|--------|-------|--------------------------------------|
| | | | | | | LENGTH | HEIGHT | WIDTH | |
| 9x19mm | 7+1 | 82 mm / 3.22" QPQ | 1:10" | Ambidextrous Manual Safety | White - Red 4.30" | 6,10" | 4,32" | 1,13" | 540 g (19,04 oz) 626 g (22,08 oz) |

KR9 SUB-COMPACT | Extended magazine floorplate for improved grip – Capacity unchanged

Kr9
Special Edition Blue



Kr9
Special Edition Blue

Kral Arms keeps its tradition of providing custom finishes and features that stand out in a crowd. Making a statement above and beyond the ordinary, Kral Arms Special Editions offer striking aesthetics and custom features. The gemstone collection features polished PVD-finished slides and small parts. Slides are accented by intricate cut-scroll engraving and topped with tritium night sights. Coordinating grips are slim, reducing the width and accommodating smaller hands. With Kral Arms, performance and reliability are not compromised when unique finishing details are desired.

KR9 SEMI AUTOMATIC PISTOLS | Hammer-Fired, Cut-Broached Six-Groove Rifling (1:10 twist), and Safe Takedown System.

| CALIBER | CAPACITY | BARREL LENGTH & FINISH | TWIST | SAFETY CONFIGURATION | SIGHTS (SIGHT RADIUS) | OVERALL DIMENSIONS LENGTH HEIGHT WIDTH | WEIGHT EMPTY / FULL |
|---------|----------|------------------------|-------|----------------------------|-----------------------|---|--------------------------------------|
| 9x19mm | 7+1 | 82 mm / 3.22" QPQ | 1:10" | Ambidextrous Manual Safety | White - Red 4.30" | 6,10" 4,32" 1,13" | 540 g (19.04 oz) 626 g (22.08 oz) |

KR9 SUB-COMPACT | Extended magazine floorplate for improved grip – Capacity unchanged

Kra 9 SERIES

Power and Lightweight Excellence



Trigger Lock 17 Rounds 15 Rounds

Reliability, Precision, Dominance

Reliability, Precision, Dominance: The KRA9 Pistol stands out with high performance unique design, and durability. Offering both reliability and portability, it provides users with a unique firing experience. Prioritize your safety with the KRA9 Pistol and savor the taste of freedom.



KRA9 BLACK
POLYMER FRAMED PISTOLS



KRA9 FDE
POLYMER FRAMED PISTOLS



KRA9 WHITE
POLYMER FRAMED PISTOLS



KRA9 GREEN
POLYMER FRAMED PISTOLS

COLOUR OPTIONS



FULL SNIPER GRAY



FULL GREEN



FULL WHITE



FULL FDE

KRA9 SEMI AUTOMATIC PISTOLS | Striker-Fired, Cut-Broached Six Groove Rifling, And a Safe Takedown System.

| CALIBER | CAPACITY | BARREL LENGTH & FINISH | TWIST | SAFETY CONFIGURATION | SIGHTS (SIGHT RADIUS) | OVERALL DIMENSIONS (LENGTH HEIGHT WIDTH) | WEIGHT EMPTY / FULL |
|---------|---|------------------------|-------|--|-----------------------|--|--|
| KRA9 | Includes 2x15 Round Magazine , Backstrip, Magwell, Trigger Lock , Cleaning Kit, User Manual | | | | | | |
| 9x19mm | 15 +1/18 +1 | 101,85 mm / 4,00" QPQ | 1:10" | Trigger Safety Firing Pin Safety Drop Safety | TRUGLO 5.90" | 6,73" 4,95" 1,16" | 738,6 g (26.05 oz) 890 g (31.39 oz) |

TECHNICAL DATA

POLYMER FRAMED PISTOLS

| | |
|---|--|
| System Single Action Striker-Fired | Slide Width (mm/inch) 25,7 mm / 1,01" |
| Caliber 9x19mm | Overall Width (mm/inch) 30 mm / 1,18" |
| Type Compact | Weight Full Magazine 902 g / 31.81 oz. |
| Magazine Capacity 15 + 1 / 18 + 1 | Weight Without Magazine 728 g / 25.67 oz. |
| Lower Frame Polymer | Weight w/empty Magazine 650 g / 22.93 oz. |
| Overall Length (mm/inch) 173 mm / 6,81" | Safety System Trigger Safety Firing Pin Safety Drop Safety |
| Slide Length (mm/inch) 171,1 mm / 6,74" | Barrel 4140 Bull Barrel |
| Height (mm/inch) 128 / 5,00" | Features Magwell available as an option MIL-STD-1973 NATO Picatinny Rail Modular Backstraps (in 2 sizes) |
| Barrel Length (mm/inch) 102 mm / 4,01" | |
| Rate Of Twist 1:10 w/6 Grooves | |

FEATURES



MOUNTING RAIL
Mounting rails in front of the trigger guard of all competition, standard, and compact frames allow mounting accessories such as tactical lights and lasers.



LOADED CHAMBER INDICATOR
Clearly shows when a round is chambered, enhancing safety and user awareness at a glance.
Note: This feature is exclusive to the KRAS PRO model.



FRONT SERRATIONS
Provides enhanced grip for press checks and slide manipulations, ensuring better control under all conditions.



TRIGGER
Engineered for performance, the KRAS trigger offers minimal travel, a sharp break, and maximum control for faster, more precise shots."



MAGWELL
Every Kral Arms KRAS comes with custom design Magwell making change of magazines much smoother, faster and easier.



GRIP TEXTURE
The KRAS features a high-traction textured grip designed to prevent slipping and ensure a secure, stable hold in every condition.



REAR PIN COVER
The KRAS features a reinforced metal rear pin cover for added durability and system reliability.



TRUGLO®

TRIGGER GUARD
The KRAS features a specially engineered polymer trigger guard designed for enhanced durability, structural rigidity, and safe operation in all conditions."



1/2 UNF THREADING
The KRAS PRO features a 1/2 UNF threaded muzzle, offering compatibility with suppressors and compensators for enhanced performance and recoil control.
Note: This feature is exclusive to the KRAS PRO model.



TAKEDOWN LEVER
Durable steel design engineered for safe and effortless field stripping, enabling fast maintenance.



OPTIC-READY DESIGN
PRO models are RM5c-ready, providing precise mounting points for RMR Type-S Compact red dot sights.
Note: This feature is exclusive to the KRAS PRO model.

OUTSTANDING PRECISION

Command Every Shot With Unmatched Precision and Control

Kra 9 PRO



REDEFINED COMPACT PERFORMANCE

KRA9 PRO delivers a perfect balance of compact design, modern ergonomics, and reliable performance. Built around a Single Action striker-fired system, it offers a clean, crisp trigger feel for enhanced speed and control. Its durable polymer lower frame, **4140 fluted barrel**, and MIL-STD-1973 NATO Picatinny rail make it a dependable platform for both everyday carry and professional use. With **15+1 and 18+1 magazine options**, the KRA9 PRO provides ample capacity, while modular backstraps, a 1/2" UNF threaded muzzle tip, and **RMSc optic-ready slide** allow full customization to the user's needs. Enhanced **Trigger, Firing Pin, and Drop Safeties** ensure secure operation, and despite its lightweight build, the **KRA9 PRO** maintains exceptional balance, stability, and control setting a new benchmark in **Kral Arms** compact handgun lineup.



KRA9 PRO GREEN
POLYMER FRAMED PISTOLS



KRA9 PRO WHITE
POLYMER FRAMED PISTOLS



KRA9 PRO S. GRAY F
POLYMER FRAMED PISTOLS



KRA9 PRO GREEN F
POLYMER FRAMED PISTOLS



KRA9 PRO FDE F
POLYMER FRAMED PISTOLS



KRA9 PRO WHITE F
POLYMER FRAMED PISTOLS

KRA9 SEMI AUTOMATIC PISTOLS | Striker-Fired, Cut-Broached Six Groove Rifling, And a Safe Takedown System.

| CALIBER | CAPACITY | BARREL LENGTH & FINISH | TWIST | SAFETY CONFIGURATION | SIGHTS (SIGHT RADIUS) | OVERALL DIMENSIONS | | | WEIGHT EMPTY / FULL |
|---|-------------|------------------------|-------|--|-----------------------|--------------------|--------|-------|--|
| | | | | | | LENGTH | HEIGHT | WIDTH | |
| KRA9 PRO Includes 2x15 Round Magazine , Backstrip, Magwell, Trigger Lock , Cleaning Kit, User Manual | | | | | | | | | |
| 9x19mm | 15 +1/18 +1 | 113 mm / 4.45" QPQ | 1:10" | Trigger Safety Firing Pin Safety Drop Safety | TRUGLO 5.90" | 6.73" | 4.95" | 1.16" | 738,6 g (26.05 oz) 890 g (31.39 oz) |

KR11 SERIES

.22LR RIMFIRE PISTOL

TECHNICAL DATA

System
Single Action Striker-Fired

Caliber
.22LR

Type
Compact

Magazine Capacity
10

Lower Frame
Polymer

Overall Length (mm/inch)
173 mm / 6,81"

Slide Length (mm/inch)
171,1 mm / 6,74"

Height (mm/inch)
128 / 5,00"

Barrel Length (mm/inch)
102 mm / 4,45"

Rate Of Twist
1:15 w/6 Grooves

Slide Width (mm/inch)
25,7 mm / 1,01"

Overall Width (mm/inch)
30 mm / 1,18"

Weight Full Magazine
550 g / 19,40 oz.

Weight Without Magazine
455 g / 16,04 oz

Weight w/empty Magazine
517 g / 18,23 oz.

Safety System
Trigger Safety
Firing Pin Safety
Drop Safety

Barrel
4140 Barrel

Features
Magwell available as an option
MIL-STD-1973 NATO Picatinny Rail



FRONT
SERRATIONS



10 ROUNDS
EASY LOAD MAG.



PORTED
SLIDE

Designed for Training and Sport Shooting

The **KR11 .22LR** offers low recoil, excellent control, and consistent accuracy, making it an ideal choice for training sessions, target practice, and recreational shooting. Its **lightweight and ergonomic design** support comfortable, prolonged use, while its reliable performance allows shooters of all skill levels to refine their technique with confidence.



KR11 BLACK
POLYMER FRAMED PISTOLS



KR11 FDE
POLYMER FRAMED PISTOLS



KR11 WHITE
POLYMER FRAMED PISTOLS



KR11 GREEN
POLYMER FRAMED PISTOLS

KR11 SEMI AUTOMATIC PISTOLS | Striker-Fired, Cut-Broached Six Groove Rifling, And a Safe Takedown System.

| CALIBER | CAPACITY | BARREL LENGTH & FINISH | TWIST | SAFETY CONFIGURATION | SIGHTS (SIGHT RADIUS) | OVERALL DIMENSIONS | | | WEIGHT EMPTY / FULL |
|---------|----------|------------------------|-------|--|-----------------------|--------------------|--------|-------|--------------------------------------|
| | | | | | | LENGTH | HEIGHT | WIDTH | |
| .22LR | 10 + 1 | 101,85 mm / 4,00" QPQ | 1:15" | Trigger Safety Firing Pin Safety Drop Safety | TRUGLO 5.90" | 6,73" | 4,95" | 1,16" | 517 g (18,23 oz) 550 g (19,40 oz) |

KR11 | Includes 2x15 Round Magazine, Backstrip, Magwell, Trigger Lock, Cleaning Kit, User Manual

KR380 SERIES

.380 ACP SEMI AUTOMATIC PISTOL

TECHNICAL DATA

| | |
|---|--|
| System Single Action Striker-Fired | Slide Width (mm/inch) 25,7 mm / 1,01" |
| Caliber .380 ACP | Overall Width (mm/inch) 30 mm / 1,18" |
| Type Compact | Weight Full Magazine 902 g / 31.81 oz. |
| Magazine Capacity 15 + 1 / 18 + 1 | Weight Without Magazine 728 g / 25.67 oz |
| Lower Frame Polymer | Weight w/empty Magazine 650 g / 22.93 oz. |
| Overall Length (mm/inch) 173 mm / 6,81" | Safety System Trigger Safety Firing Pin Safety Drop Safety |
| Slide Length (mm/inch) 171,1 mm / 6,74" | Barrel 4140 Bull Barrel |
| Height (mm/inch) 128 / 5,00" | Features Magwell available as an option MIL-STD-1973 NATO Picatinny Rail Modular Backstraps (in 2 sizes) |
| Barrel Length (mm/inch) 102 mm / 4,01" | |
| Rate Of Twist 1:10 w/6 Grooves | |

Perfect Balance of
Control and Comfort.

KR380 – Compact .380 Defense Platform

Designed on the proven KRA9 platform, the KR380 brings the same compact ergonomics and lightweight carry performance to the .380 ACP class. Built for everyday protection, its streamlined profile offers fast handling, reduced recoil perception and confident control in critical moments. A modern defensive sidearm with familiar Kral Arms quality, now refined for .380 users



KR380 BLACK
POLYMER FRAMED PISTOLS



KR380 FDE
POLYMER FRAMED PISTOLS



KR380 WHITE
POLYMER FRAMED PISTOLS



KR380 GREEN
POLYMER FRAMED PISTOLS

COLOUR OPTIONS



FULL
SNIPER GRAY



FULL
GREEN



FULL
WHITE



FULL
FDE

KR380 SEMI AUTOMATIC PISTOLS | Striker-Fired, Cut-Broached Six Groove Rifling, And a Safe Takedown System.

| CALIBER | CAPACITY | BARREL LENGTH & FINISH | TWIST | SAFETY CONFIGURATION | SIGHTS (SIGHT RADIUS) | OVERALL DIMENSIONS | | | WEIGHT EMPTY / FULL |
|----------|-----------------|------------------------|-------|--|-----------------------|--------------------|--------|-------|--|
| | | | | | | LENGTH | HEIGHT | WIDTH | |
| .380 ACP | 15 + 1 / 18 + 1 | 101,85 mm / 4,00" QPQ | 1:10" | Trigger Safety Firing Pin Safety Drop Safety | TRUGLO 5.90" | 6,73" | 4,95" | 1,16" | 738,6 g (26.05 oz) 890 g (31.39 oz) |

KR380 | Includes 2x15 Round Magazine, Backstrip, Magwell, Trigger Lock, Cleaning Kit, User Manual

KR22

.22LR Semi Automatic Rifle

Discover the **KR22**, a **.22LR semi-automatic rifle** engineered for precision and reliability. Built on a lightweight construction, this rifle weighs just **2,200 g (77.60 oz)**, offering exceptional balance and handling for shooters of all levels. At its core is a dependable **rimfire operating system**, ensuring consistent semi-automatic performance.

The 18.70" (474.4 mm) barrel is optimized for accuracy, featuring six-groove rifling and a durable **surface finish** to withstand wear. This rifle delivers a remarkable muzzle velocity of 340 m/s, paired with a crisp 1.77 kg (62.43 oz) trigger pull for precise shot placement. Cocking handle is changeable (Right&Left). With a **10/20 capacity** (supplied with a single 10-round magazine) and a total length of 37.77" (959.5 mm), the **KR22** is the ideal choice for **sport shooting and training**.





KR22 WOOD
.22LR SEMI AUTOMATIC RIFLE



KR22 BLUE
.22LR SEMI AUTOMATIC RIFLE



KR22 BLACK
.22LR SEMI AUTOMATIC RIFLE



KR22 ORANGE EDITION
.22LR SEMI AUTOMATIC RIFLE



KR22 GREEN
.22LR SEMI AUTOMATIC RIFLE



KR22 SPARKLE EDITION
.22LR SEMI AUTOMATIC RIFLE



KR22 FDE
.22LR SEMI AUTOMATIC RIFLE



KR22 MUDDY GIRL CAMO
.22LR SEMI AUTOMATIC RIFLE



KR22 RED
.22LR SEMI AUTOMATIC RIFLE

KR22
.22LR Semi Automatic Rifle

KR22 .22LR SEMI AUTOMATIC RIFLE | Rimfire Operation, Six-Groove Rifling, Lightweight Construction.

| CALIBER | CAPACITY | BARREL LENGTH & FINISH | TOTAL LENGTH | MUZZLE VELOCITY | WEIGHT | FIRING MODE | TRIGGER WEIGHT | SHELL CASING LAUNCH |
|---------|----------|------------------------|--------------|-----------------|--------|-------------|----------------|---------------------|
|---------|----------|------------------------|--------------|-----------------|--------|-------------|----------------|---------------------|

KR22 RIFLE | Supplied with a Single 10-Round Magazine.

| | | | | | | | | |
|-------|---------|-----------------------|-------------------|---------|--------------------|----------------|--------------------|-------|
| .22LR | 10 / 25 | 474.4 mm / 18.70" QPQ | 959.5 mm / 37.77" | 340 m/s | 2.200 G / 77.60 oz | Semi Automatic | 1.77 kg / 62.43 oz | Right |
|-------|---------|-----------------------|-------------------|---------|--------------------|----------------|--------------------|-------|



KR22 WOOD
.22LR SEMI AUTOMATIC RIFLE



KR22 BLACK
.22LR SEMI AUTOMATIC RIFLE



KR22 GREEN
.22LR SEMI AUTOMATIC RIFLE



KR22 FDE
.22LR SEMI AUTOMATIC RIFLE



KR22 RED
.22LR SEMI AUTOMATIC RIFLE



KR22 BLUE
.22LR SEMI AUTOMATIC RIFLE



KR22 ORANGE EDITION
.22LR SEMI AUTOMATIC RIFLE



KR22 SPARKLE EDITION
.22LR SEMI AUTOMATIC RIFLE



KR22 MUDDY GIRL CAMO
.22LR SEMI AUTOMATIC RIFLE

KR22
.22LR Semi Automatic Rifle

KR22 .22LR SEMI AUTOMATIC RIFLE | Rimfire Operation, Six-Groove Rifling, Lightweight Construction.

| CAIBER | CAPACITY | BARREL LENGHT & FINISH | TOTAL LENGTH | MUZZLE VELOCITY | WEIGHT | FIRING MODE | TRIGGER WEIGHT | SHELL CASING LAUNCH |
|--------|----------|------------------------|-------------------|-----------------|---------------------|----------------|---------------------|---------------------|
| .22LR | 10 / 25 | 474.4 mm / 18,70" QPQ | 959,5 mm / 37,77" | 340 m/s | 2.200 G / 77,60 oz. | Semi Automatic | 1,77 kg / 62,43 oz. | Right |

KR22 RIFLE | Supplied with a Single 10-Round Magazine.

KR22 TAC

TACTICAL EDGE, ALWAYS



KR22 TACTICAL BLACK
.22LR TACTICAL SEMI AUTOMATIC RIFLE



KR22 TACTICAL GREEN
.22LR TACTICAL SEMI AUTOMATIC RIFLE



KR22 TACTICAL FDE
.22LR TACTICAL SEMI AUTOMATIC RIFLE



KR22 TACTICAL BLUE
.22LR TACTICAL SEMI AUTOMATIC RIFLE



KR22 TACTICAL RED
.22LR TACTICAL SEMI AUTOMATIC RIFLE

KR22 .22LR SEMI AUTOMATIC RIFLE | Rimfire Operation, Six-Groove Rifling, Lightweight Construction.

| CALIBER | CAPACITY | BARREL LENGTH & FINISH | TOTAL LENGTH | MUZZLE VELOCITY | WEIGHT | FIRING MODE | TRIGGER WEIGHT | SHELL CASING LAUNCH |
|---------|----------|------------------------|-------------------|-----------------|--------------------|----------------|--------------------|---------------------|
| .22LR | 10 / 25 | 474.4 mm / 18,70" QPQ | 980,5 mm / 38,60" | 340 m/s | 2.130 G / 75,13 oz | Semi Automatic | 1,77 kg / 62,43 oz | Right |

KR22 RIFLE | Supplied with a Single 10-Round Magazine.



FLASH HIDER

Precision-cut to reduce muzzle flash and maintain a clear sight picture, ensuring cleaner, more controlled shots.



SOFT RECOIL PAD

The soft recoil pad reduces felt recoil and enhances shooting comfort, providing a more stable and controlled shoulder support.



FIXED STOCK

Built from durable, weight optimized materials, the ultra-lightweight fixed stock offers exceptional balance, reduced overall weight, and a solid, consistent shoulder fit.



AMBIDEXTROUS SAFETY

The ambidextrous safety allows quick and intuitive operation from either side, ensuring safe and reliable handling for all shooters.



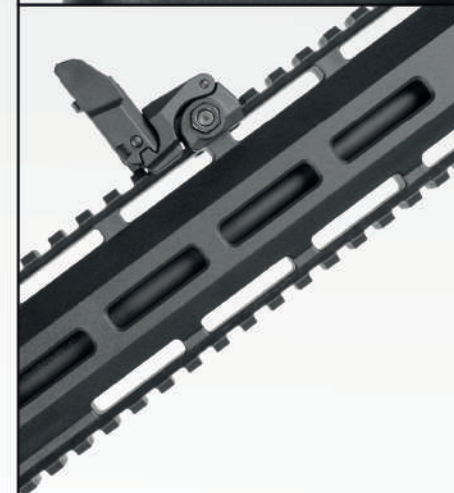
ERGONOMIC PISTOL GRIP

Designed for a natural wrist angle and secure handling, the ergonomic pistol grip provides improved weapon control and a confident hold in every shooting position.



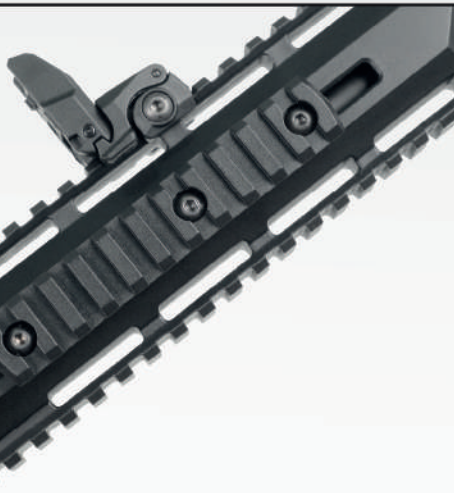
SWIVEL

The built-in lanyard attachment ensures secure carry and quick access, keeping the weapon reliably connected during all operations.



M-LOK SLOTS

Precision-machined M-LOK slots on the handguard allow fast accessory mounting and a lighter, modular setup.



PICATINNY RAIL

Picatinny rails on three sides enable rapid accessory integration and maximize modular setup options.



FLAT TRIGGER

The flat-designed trigger provides a consistent, clean pull and enhances shooter control for precise firing.

KR22 BOLT

THE ART OF RIMFIRE PRECISION



KR22 BOLT ACTION BLACK
.22LR BOLT ACTION RIFLE



KR22 BOLT ACTION GREEN
.22LR BOLT ACTION RIFLE



KR22 BOLT ACTION FDE
.22LR BOLT ACTION RIFLE



KR22 BOLT ACTION BLUE
.22LR BOLT ACTION RIFLE



KR22 BOLT ACTION RED
.22LR BOLT ACTION RIFLE

KR22 .22LR BOLT ACTION RIFLE | Rimfire Operation, Six-Groove Rifling, Lightweight Construction.

| CALIBER | CAPACITY | BARREL LENGTH & FINISH | TOTAL LENGTH | MUZZLE VELOCITY | WEIGHT | FIRING MODE | TRIGGER WEIGHT | SHELL CASING LAUNCH |
|---------|----------|------------------------|-----------------|-----------------|--------------------|-------------|--------------------|---------------------|
| .22LR | 10 / 25 | 474.4 mm / 18,70" QPQ | 942 mm / 37,08" | 340 m/s | 2,130 G / 75,13 oz | Bolt Action | 1,77 kg / 62,43 oz | Right |

KR22 RIFLE | Supplied with a Single 10-Round Magazine.



FLASH HIDER
 Precision-cut to reduce muzzle flash and maintain a clear sight picture, ensuring cleaner, more controlled shots.



ADJUSTABLE STOCK
 Adjustable Length Stock with an integrated Picatinny rail for enhanced fit and accessory compatibility."



FLAT TRIGGER
 The flat-designed trigger provides a consistent, clean pull and enhances shooter control for precise firing.



AMBIDEXTROUS SAFETY
 The ambidextrous safety allows quick and intuitive operation from either side, ensuring safe and reliable handling for all shooters.



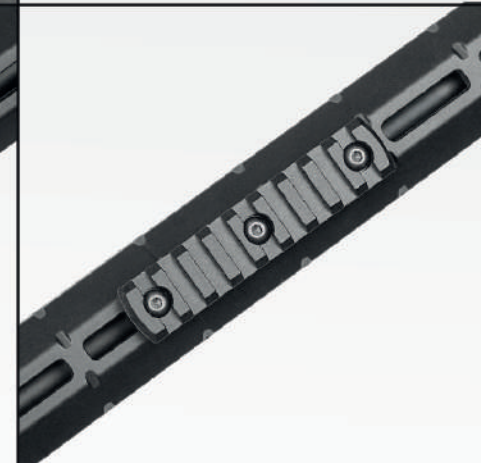
ERGONOMIC PISTOL GRIP
 Designed for a natural wrist angle and secure handling, the ergonomic pistol grip provides improved weapon control and a confident hold in every shooting position.



BOLT ACTION SYSTEM
 The KR22's bolt-action system delivers smooth cycling, a short ergonomic throw, and consistent accuracy with every shot.



M-LOK SLOTS
 Precision-machined M-LOK slots on the handguard allow fast accessory mounting and a lighter, modular setup.



PICATINNY RAIL
 Picatinny rails on three sides enable rapid accessory integration and maximize modular setup options.



MAGAZINE
 KR22 magazines are engineered for seamless compatibility across the entire KR22 series, ensuring flawless performance in every model.

LIGHTWEIGHT
UNYIELDING
DURABLE



16"



14,5"



10,5"

K556
SEMI & FULL AUTO RIFLE

EXPERIENCE
29 years of industry expertise
More than 250 skilled professionals

QUALITY
High technology combined with craftsmanship
Strict quality control and testing processes

PRODUCTION
43,000 m² integrated facilities
Wood & metal machining, injection molding
barrel manufacturing, laser marking,
assembly and testing under one roof

PRODUCT RANGE
Over 100 different models
24 licensed brands and technologies

EXPORT
Presence in more than 90 countries worldwide
99.5% export rate

MANUFACTURING
Entire production in Turkey's integrated facilities
Powered by local engineering and design expertise

INNOVATION
Advanced production technologies
Continuous R&D investments and new
product development



K223
SEMI & FULL AUTO RIFLE

The Metal Rear Sight and Front Sight are Optional



KR556 BLACK
5.56x45mm SEMI & FULL AUTO RIFLE

PISTON DRIVEN
SYSTEM



KR556 FDE - GREEN
5.56x45mm SEMI & FULL AUTO RIFLE



KR556 FDE
5.56x45mm SEMI & FULL AUTO RIFLE



KR556 - TUNGSTEN
5.56x45mm SEMI & FULL AUTO RIFLE



KR556 GREEN
5.56x45mm SEMI & FULL AUTO RIFLE



KR556 FULL FDE
5.56x45mm SEMI & FULL AUTO RIFLE

5.56x45mm NATO SEMI & FULL AUTOMATIC RIFLE | Piston-Driven System, Lightweight Reinforced Construction

| CALIBER | CAPACITY | BARREL LENGTH & FINISH | TOTAL LENGTH | MUZZLE VELOCITY | WEIGHT | FIRING MODE | TRIGGER WEIGHT | SHELL CASING LAUNCH | Rate of Fire |
|------------------|-----------------|----------------------------|----------------------------|-----------------|-----------------|-------------------------------|--------------------|---------------------|---------------|
| NATO 5.56 x 45mm | 30 or 10 Rounds | 10.5", 14.5", 16", 18" QPQ | 845 - 885 mm 33.2" - 34.8" | 880-940 m/s | 3090 g / 109 oz | Semi Automatic Full Automatic | 3,47 kg / 122.4 oz | Right | 900 Shots/min |

KR556 RIFLE | Supplied with a Standard 30-Round Magazine.

Its advanced **piston-operated** mechanism ensures smoother cycling, minimized fouling, and long-lasting performance even under demanding operational conditions.



JÖAN

K223

TH237-24A00013

OPERASYON

The Metal Rear Sight and Front Sight are Optional



KR223 BLACK
.223 Remington SEMI AUTO RIFLE

PISTON DRIVEN
SYSTEM



KR223 FDE - GREEN
.223 Remington SEMI AUTO RIFLE



KR223 FDE
.223 Remington SEMI AUTO RIFLE



KR223 TUNGSTEN
.223 Remington SEMI AUTO RIFLE



KR223 GREEN
.223 Remington SEMI AUTO RIFLE



KR223 FULL FDE
.223 Remington SEMI AUTO RIFLE

Its advanced **piston-operated** mechanism ensures smoother cycling, minimized fouling, and long-lasting performance even under demanding operational conditions.

.223 Remington SEMI & FULL AUTOMATIC RIFLE | Piston-Driven System, Lightweight Reinforced Construction

| CALIBER | CAPACITY | BARREL LENGTH & FINISH | TOTAL LENGTH | MUZZLE VELOCITY | WEIGHT | FIRING MODE | TRIGGER WEIGHT | SHELL CASING LAUNCH | Rate of Fire |
|--|-----------------|----------------------------|----------------------------|-----------------|-----------------|----------------|--------------------|---------------------|---------------|
| KR223 RIFLE Supplied with a Standard 30-Round Magazine. | | | | | | | | | |
| .223 Rem | 30 or 10 Rounds | 10.5", 14.5", 16", 18" QPQ | 845 - 885 mm 33.2" - 34.8" | 880-940 m/s | 3090 g / 109 oz | Semi Automatic | 3,47 kg / 122.4 oz | Right | 900 Shots/min |

SEMI & FULL AUTO RIFLE

| | |
|---|--|
| System Gas Operating | Caliber 5.56x45 Nato, 223 Rem |
| Fire Mode Semi Or Full Automatic | Accessory Rail Nato Stanag 4694 |
| Rate Of Fire 800 - 1000 Shots/Min. | Total Length 845mm / 885mm |
| Weight 3050 g (107.5 oz) | Shell Casing Launch Right |
| Standart Trigger Weight 3,47 kg | Charging Handle Military And Sporting Type |
| Barrel Length 10,5" - 14,5" - 16" - 17" | Height 275mm (10,8") |
| Muzzle Velocity 950 m/s | Effective Range 400-600 M |
| Barrel Life 15.000 Shots | Firing Mode Semi or Full Auto |
| Stock 6 Stage | Magazine 30 Rounds |

KR556 Gas-Operated System – Next-Level Stability

The **KR556** platform now offers a refined **Gas-Operated System**, engineered to deliver smoother cycling and reduced felt recoil during continuous fire. By redirecting controlled propellant gas toward the operating mechanism, this system ensures a consistent pressure balance, resulting in a more predictable bolt movement and improved shot-to-shot accuracy.

Designed to maintain reliability in demanding environments, the Gas System minimizes carbon buildup at the action, supports cleaner operation, and provides improved heat distribution throughout long shooting sessions. This upgraded configuration enhances shooting comfort, especially during rapid strings of fire, while keeping the rifle firmly aligned on target.

With its durable internal components, enhanced gas regulation structure, and optimized recoil impulse, the **KR556 Gas-Operated System** offers a professional-level shooting experience for users seeking higher stability, advanced control, and **elevated overall performance.**

GAS OPERATED
SYSTEM

KRAL ARMS®
www.kralarms.com



KR556 - BLACK
5.56x45mm SEMI & FULL AUTO RIFLE



KR556 - GREEN
5.56x45mm SEMI & FULL AUTO RIFLE



KR556 - FDE
5.56x45mm SEMI & FULL AUTO RIFLE

Its advanced **GAS OPERATED** mechanism ensures smoother cycling, minimized fouling, and long-lasting performance even under demanding operational conditions.

KR762 SEMI & FULL AUTO RIFLE

| | |
|--------------------|------------------------------|
| System | Total Length |
| Gas Operating | 36,6" / 93 cm |
| Caliber | Model |
| 7.62x39mm | KR762 |
| Firearm Type | Forged |
| Rifle | Bolt Carrier, Front Trunnion |
| Magazine Capacity | Effective Range |
| 30 Rounds | 350 - 400 M |
| Stock | Barrel Life |
| Walnut / Synthetic | 15.000 Shots |
| Optic Mount | Operating System |
| Side Optic Mount | Gas System |
| Muzzle Velocity | Shell Casing Launch |
| 715 Shots/Min | Right |

The Dominion of True Firepower

The **KR762** is engineered as a symbol of strength, precision, and unwavering reliability. Built around a **gas-operated system** and chambered in the proven **7.62x39mm** cartridge, this rifle is crafted to perform with confidence in diverse environments—from rugged field conditions to demanding professional applications. Its forged bolt carrier and front trunnion form the backbone of a highly durable action, ensuring smooth cycling and long-term endurance shot after shot.

With a **30-round magazine capacity** and the option of walnut or synthetic furniture, the KR762 offers both classic aesthetics and modern adaptability. The integrated side optic mount expands its capability, allowing shooters to equip advanced sighting systems for enhanced accuracy at medium ranges. Delivering an effective range of **350-400 meters** and an impressive **15,000-shot** barrel life, it stands as a platform designed for those who demand lasting **performance**.

Right-side shell ejection, balanced ergonomics, and a total length of **93 cm** complete the **KR762's** refined architecture—making it not only a reliable tool but also a commanding presence in the hands of its user. Elegant, functional, and resilient, the **KR762** elevates every shooting experience with the unmistakable quality of its construction.



KR762 HONEY BROWN
7.62X39mm Semi & Full Auto Rifle



KR762 WOOD
7.62X39mm Semi & Full Auto Rifle



KR762 SYNTHETIC
7.62X39mm Semi & Full Auto Rifle

| 7.62x39mm SEMI & FULL AUTOMATIC RIFLE Gas Operating System, Six-Groove Precision Barrel Lightweight Reinforced Construction | | | | | | | | | |
|---|-----------|------------------------|-----------------|-----------------|-----------------|-----------------------|--------------------|---------------------|---------------|
| CALIBER | CAPACITY | BARREL LENGTH & FINISH | TOTAL LENGTH | MUZZLE VELOCITY | WEIGHT | FIRING MODE | TRIGGER WEIGHT | SHELL CASING LAUNCH | Rate of Fire |
| KR762 RIFLE Supplied with a Standard 30-Round Magazine. | | | | | | | | | |
| 7.62x39mm | 30 Rounds | 16.33" Chromelined | 36,6" / 929.6mm | 715-730 m/s | 3600 g / 130 oz | Semi & Full Automatic | 3,50 kg / 123.4 oz | Right | 650 Shots/min |

KR308 BOLT ACTION RIFLE

System

Bolt Action

Caliber

.308 Win / .243 / 6.5 Creedmoor

Accuracy

3/8 inch in 100 Yards With .308 Win
(5 Shot Group Guarantee With Recommended
Factory Match Ammunition)

Magazine Capacity

5+1

Trigger

Adjustable Trigger Length (0-10 mm)
Adjustable Trigger Weight (800-2000 gr)
Adjustable Trigger Retaining (0-2 mm.)

Stock

High Quality Turkish Walnut

Twist Rate

1:10 inch

Barrel

4 Grooves

Barrel Length

21.90" / 556.35 mm

Width

1.74" / 44.35 mm

Max Range

1.200 m.

Total Length

42,90 / 1090 mm

Weight

3330 g (Without Accessories And Ammo)

The **KR308** is built to meet the demands of **precision shooting** and hunting with unrivaled accuracy. Chambered in the powerful **.308 W** caliber, this rifle is engineered for **long range performance**, featuring a **meticulously crafted barrel** that ensures consistent results even in the harshest conditions. Its **advanced recoil management system** delivers smooth operation and enhances user comfort, making it ideal for both seasoned professionals and **demanding enthusiasts**. The **Ergonomic stock** and **adjustable trigger** ensure optimal control and customization for superior handling. With the **KR308**, every shot counts.



KRAL ARMS
www.kralarms.com



KR308 BLACK
.308 Winchester Bolt Action Rifle



KR308 WOOD
.308 Winchester Bolt Action Rifle



Adjustable
Stock



Muzzle Thread
Options



60 Degree
Bolt Throw



One Piece
Bolt



22mm Picatinny
Rail



Spiral Fluted
Barrel



Adjustable
Trigger

STOCK

The ergonomic stock made of selected Turkish Walnut and synthetic is designed or accurate and comfortable shooting.

60 DEGREE BOLT

60- degree bolt lift is short compared to typical 90- degree bolt throw. Allows faster loading on follow-up shot.

SAFETY

The safety has 2 stages. At the first stage it is off and the rifle can fire. At the second stage, the trigger is disengaged, the shooter can not load or unload the rifle.

MONOBLOCK RECOIL LUG

The monoblock recoil lug inside the receiver increases strength and structural integrity.

ADJUSTABLE TRIGGER

Two-Stage, Adjustable pull weight 0.8kg to 2.0kg (1.76lbs to 4.40lbs)

BOLT

The one-piece (monoblock) steel, two-lug locking with 60-degree throw.

SHOTGUN & DEFENCE

SBS | OVER & UNDER | SEMI AUTO | TACTICAL SEMI AUTO | MAGAZINE FED



Tactical Solutions for **Modern Defense**

SIDE BY SIDE



SIDE BY SIDE SBS



SBS - CASEHARDENED
Side By Side Shotgun



SBS - BLACK
Side By Side Shotgun



SBS - WHITE
Side By Side Shotgun

TIMELESS SIDE BY SIDE CRAFTMANSHIP

The SBS series represents the perfect fusion of heritage craftsmanship and advanced engineering, offering a refined side-by-side platform in both 12- and 20-gauge configurations, weighting 3.40 kg and 3.10 kg respectively. Designed for shooters who value tradition without compromising modern performance, it features a reliable extractor system and three precision-regulated barrel options—66, 71, and 76 cm—ensuring optimal balance, smooth swing dynamics, and consistent patterning across all applications.

Its durable casehardened finish delivers a sleek, non-reflective appearance suited for field and sporting conditions, while the premium Turkish walnut stock provides exceptional ergonomics, natural pointability, and a distinguished aesthetic. Every detail of the SBS series is crafted to deliver stability, comfort, and timeless elegance, making it a trusted companion for both seasoned sportsmen and enthusiastic newcomers.

SIDE BY SIDE SHOTGUN | Side-by-Side Twin Barrels, 4140 Steel Receiver, Balanced Lightweight Build

| RECEIVER | GAUGE | AVERAGE WEIGHT | SYSTEM | CHOKE | LENGTH OF PULL | OVERALL LENGTH | BARREL LENGTH | FINISH | STOCK |
|---|-------|------------------|-----------|-------------|-----------------|----------------|---------------|------------|----------------|
| SBS SHOTGUN Built with a Classic Twin-Barrel Side-by-Side Configuration. | | | | | | | | | |
| Steel | 12 | 3,40kg / 120 oz. | Extractor | C/IC/M/IM/F | 14.3" / 36,5 cm | 43.3" / 110 cm | 26" / 66 cm | White | Turkish Walnut |
| Steel | 20 | 3,10kg / 110 oz. | Extractor | C/IC/M/IM/F | 14.3" / 36,5 cm | 45.3" / 115 cm | 28" / 71 cm | Black | Turkish Walnut |
| | | | | | | 47.3" / 120 cm | 30" / 76 cm | Caseharden | |

Applicable to All Calibers.

The Perfect Balance of Power and Precision

Engineered for trap shooting excellence, the **KRL-SPORT** stands out with its innovative features. It boasts an adjustable cheek rest and stock, allowing precise customization for the perfect shooting stance. The 76 cm barrel, integrated with cooling ports near the muzzle, efficiently reduces both heat buildup and recoil, ensuring smoother follow-up shot. The 10 mm rib height provides enhanced sight picture, giving you an edge when tracking fast-moving clay targets. With its emphasis on adjustability and recoil reduction, the **KRL-SPORT** offers a clear advantage over traditional trap shotguns, making it the preferred choice for serious competitors.



KRL - SPORT OVER & UNDER TRAP



KRL SPORT W
Over & Under Trap Shotgun



Ported Barrel



Adjustable Stock
& Cheek Piece



Extended Choke



10 mm Rib

REFINED BALANCE, **ADVANCED TRAP ENGINEERING**

The KRL SPORT is engineered for dedicated trap shooters seeking precision, balance, and full adjustability. Its ported barrel design effectively reduces muzzle rise and recoil, ensuring faster follow-up shots and smoother target transitions. The adjustable stock and cheek piece allow personalized fit and optimal alignment, giving the shooter complete control over comfort and sight picture.

Equipped with an extended choke system and a refined 10 mm rib, the KRL SPORT delivers consistent patterns, improved barrel cooling, and enhanced target visibility under competition conditions. Built with premium materials and meticulous craftsmanship, it offers the stability, responsiveness, and reliability demanded by high-level trap shooting.

TRAP OVER&UNDER SHOTGUN | Ported 4140 Steel Barrel, Extended Choke System, 10 mm Rib

| RECEIVER | GAUGE | AVERAGE WEIGHT | SYSTEM | CHOKE | LENGTH OF PULL | OVERALL LENGTH | BARREL LENGTH | COLOUR | STOCK |
|----------|-------|------------------|---------|-------------|-----------------|----------------|---------------|--------|----------------|
| Steel | 12 | 3,00kg / 106 oz. | Ejector | C/IC/M/IM/F | 14.3" / 36,5 cm | 47.3" / 120 cm | 30" / 76 cm | WHITE | Turkish Walnut |

Extended Choke is Optional

CARA CARA W
OVER & UNDER



CW-0001
Over & Under Shotgun



CB-0001
Over & Under Shotgun



CW-0002
Over & Under Shotgun



CB-0002
Over & Under Shotgun



CW-0003
Over & Under Shotgun



CB-0003
Over & Under Shotgun



CW-0004
Over & Under Shotgun



CB-0004
Over & Under Shotgun

Elegance in Every Shot

Designed for the elite hunter, our Over&Under shotgun combines the finest Turkish walnut stock and fore-end with intricate laser-engraved details, showcasing the perfect union of strength and sophistication.

The gleaming finish adds a touch of luxury while ensuring the shotgun remains lightweight and easy to handle. Ideal for those who value precision and style, this shotgun has proven its reliability and excellence over many years. Experience the harmony of superior craftsmanship and timeless elegance with every shot.

OVER & UNDER SHOTGUN | Precision Twin-Barrel Design, Ejector & Extractor System, Caliber Options (12/20/28/36)

| RECEIVER | GAUGE | AVERAGE WEIGHT | SYSTEM | CHOKE | LENGTH OF PULL | OVERALL LENGTH | BARREL LENGTH | COLOUR | STOCK |
|---|-------|-------------------|---------------------|---------------|-----------------|------------------------------------|---------------|--------|----------------|
| CARA CARA W Built with a 7075 Aluminum Receiver, Ejector and Extractor System. | | | | | | | | | |
| Aluminum | 12 | 3,00kg / 106 oz. | Ejector / Extractor | C/I/C/M/I/M/F | 14.3" / 36,5 cm | 43.3" / 110 cm | 26" / 66 cm | Black | Turkish Walnut |
| Aluminum | 20 | 2,70kg / 95,2 oz. | Ejector / Extractor | C/I/C/M/I/M/F | 14.3" / 36,5 cm | 45.3" / 115 cm | 28" / 71 cm | Black | Turkish Walnut |
| Aluminum | 28 | 2,50kg / 88,2 oz. | Ejector / Extractor | C/I/C/M/I/M/F | 14.3" / 36,5 cm | 47.3" / 120 cm | 30" / 76 cm | Black | Turkish Walnut |
| Aluminum | 36 | 2,30kg / 81,1 oz. | Extractor | C/I/C/M/I/M/F | 14.3" / 36,5 cm | <i>Applicable to All Calibers.</i> | | Black | Turkish Walnut |

CARA CARA 5
OVER & UNDER



CSB-0001
Over & Under Shotgun



CSB-0002
Over & Under Shotgun



CSW-0001
Over & Under Shotgun



CSW-0001
Over & Under Shotgun



CERAKOTED - CSBR-0001
Over & Under Shotgun



CERAKOTED - CSBT-0002
Over & Under Shotgun



FULL CAMO - CSFC-0001
Over & Under Shotgun



HALF CAMO - CSHC-0001
Over & Under Shotgun



OVER & UNDER SHOTGUN | Precision Twin-Barrel Design, Ejector & Extractor System, Calibre Options (12/20/28/36)

| RECEIVER | GAUGE | AVERAGE WEIGHT | SYSTEM | CHOKE | LENGTH OF PULL | OVERAL LENGTH | BARREL LENGTH | FINISH | STOCK |
|---|-------|-------------------|---------------------|-------------|-----------------|------------------------------------|---------------|----------|-----------|
| CARA CARA 5 Built with a 7075 Aluminum Receiver, Ejector and Extractor System. | | | | | | | | | |
| Aluminum | 12 | 2,90kg / 102 oz. | Ejector / Extractor | C/IC/M/IM/F | 14.3" / 36,5 cm | 43.3" / 110 cm | 26" / 66 cm | Cerakote | Synthetic |
| Aluminum | 20 | 2,70kg / 95,2 oz. | Ejector / Extractor | C/IC/M/IM/F | 14.3" / 36,5 cm | 45.3" / 115 cm | 28" / 71 cm | Cerakote | Synthetic |
| Aluminum | 28 | 2,50kg / 88,2 oz. | Ejector / Extractor | C/IC/M/IM/F | 14.3" / 36,5 cm | 47.3" / 120 cm | 30" / 76 cm | Cerakote | Walnut |
| Aluminum | 36 | 2,30kg / 81,1 oz. | Extractor | C/IC/M/IM/F | 14.3" / 36,5 cm | <i>Applicable to All Calibers.</i> | | Cerakote | Synthetic |



CARA CARA COMBO
OVER & UNDER



12 & 20 Ga
Over & Under Shotgun



20 & 36 Ga
Over & Under Shotgun

The Cara Cara Combo is designed to be mounted on the same frame for 12/20 and 28/36 gauges.

OVER & UNDER SHOTGUN | Precision Twin-Barrel Design, Ejector & Extractor System, Multi-Gauge Options (12/20/28/36)

| RECEIVER | GAUGE | AVERAGE WEIGHT | SYSTEM | CHOKE | LENGTH OF PULL | OVERALL LENGTH | BARREL LENGTH | COLOUR | STOCK |
|---|-------|-------------------|-----------|-------------|-----------------|----------------|---------------|--------|----------------|
| CARA CARA COMBO Built with a 7075 Aluminum Receiver, Ejector and Extractor System. | | | | | | | | | |
| Aluminum | 12/20 | 3,40kg / 120 oz. | Extractor | C/IC/M/IM/F | 14.3" / 36,5 cm | 43.3" / 110 cm | 26" / 66 cm | White | Turkish Walnut |
| Aluminum | 20/36 | 2,70kg / 98,7 oz. | Extractor | C/IC/M/IM/F | 14.3" / 36,5 cm | 45.3" / 115 cm | 28" / 71 cm | White | Turkish Walnut |

Exactly Family Legacy

Introducing the new Tundra, crafted with precision and a dedication to excellence. This exquisite firearm seamlessly blends tradition with modern innovation, ensuring a reliable and elegant shooting experience. With its meticulously designed black or white receiver and finely crafted wooden stock, the Tundra is not just a shotgun; it's a testament to enduring craftsmanship and family heritage. Each piece is created to honor the past while embracing the future, making it a perfect heirloom for generations to come.

Experience the legacy. Elevate your heritage with the Tundra.



TUNDRA WHITE OVER & UNDER



TW-0001
Over & Under Shotgun



TW-0002
Over & Under Shotgun



TW-0003
Over & Under Shotgun

OVER & UNDER SHOTGUN | Precision Over/Under Barrel Design, Ejector & Extractor System, Calibre(12/20/28/36)

| RECEIVER | GAUGE | AVERAGE WEIGHT | SYSTEM | CHOKE | LENGTH OF PULL | OVERAL LENGTH | BARREL LENGTH | COLOUR | STOCK |
|---|-------|--------------------|---------------------|-------------|-----------------|-----------------------------|---------------|--------|----------------|
| TUNDRA WHITE Built with a 4140 Steel Receiver, Ejector and Extractor System. | | | | | | | | | |
| Steel | 12 | 3,40kg / 120 oz. | Ejector / Extractor | C/IC/M/IM/F | 14.3" / 36,5 cm | 43.3" / 110 cm | 26" / 66 cm | White | Turkish Walnut |
| Steel | 20 | 3,15kg / 111,1 oz. | Ejector / Extractor | C/IC/M/IM/F | 14.3" / 36,5 cm | 45.3" / 115 cm | 28" / 71 cm | White | Turkish Walnut |
| Steel | 28 | 3,00kg / 105 oz. | Ejector / Extractor | C/IC/M/IM/F | 14.3" / 36,5 cm | 47.3" / 120 cm | 30" / 76 cm | White | Turkish Walnut |
| Steel | 36 | 2,70kg / 95,2 oz. | Extractor | C/IC/M/IM/F | 14.3" / 36,5 cm | Applicable to All Calibers. | | White | Turkish Walnut |

TUNDRA BLACK
OVER & UNDER



TB-0001
Over & Under Shotgun



TB-0002
Over & Under Shotgun



TB-0003
Over & Under Shotgun

TUNDRA BLACK
OVER & UNDER



TT-0001S
Over & Under Shotgun



TT-0001W
Over & Under Shotgun

THE ART OF COMPACT FIREPOWER

Designed for shooters who refuse to compromise on power, elegance, or control, the Tundra TAC elevates the compact shotgun concept to a new standard. Its rugged 4140 steel receiver forms the backbone of a platform built for endurance, while the precision over/under slug barrel ensures consistent accuracy and confident impact with every pull of the trigger. The refined ejector-extractor system provides smooth and reliable operation, matching the firearm's solid engineering with flawless functionality.

The Tundra TAC's compact dimensions give an exceptional handling, allowing fast target transitions and effortless maneuverability in tight environments. Finished in a sleek matte blue coating and offered with premium Turkish Walnut or resilient synthetic stock options, it blends durability with an unmistakable touch of sophistication. Despite its shortened frame, the Tundra TAC stands as a commanding, balanced, and purpose-driven shotgun crafted for shooters who expect more from every detail.

OVER & UNDER SHOTGUN | Precision Over/Under Barrel Design, Ejector & Extractor System, Calibre Options (12/20/28/36)

| RECEIVER | GAUGE | AVERAGE WEIGHT | SYSTEM | CHOKE | LENGTH OF PULL | OVERAL LENGTH | BARREL LENGTH | COLOUR | STOCK |
|---|-------|--------------------|---------------------|---------------|-----------------|------------------------------------|---------------|--------|----------------|
| TUNDRA BLACK Built with a 4140 Steel Receiver, Ejector and Extractor System. | | | | | | | | | |
| Steel | 12 | 3.50kg / 123,4 oz. | Ejector / Extractor | C/I/C/M/I/M/F | 14.3" / 36,5 cm | 43.3" / 110 cm | 26" / 66 cm | White | Turkish Walnut |
| Steel | 20 | 3.15kg / 111,1 oz. | Ejector / Extractor | C/I/C/M/I/M/F | 14.3" / 36,5 cm | 45.3" / 115 cm | 28" / 71 cm | Black | Turkish Walnut |
| Steel | 28 | 3.00kg / 105,8 oz. | Ejector / Extractor | C/I/C/M/I/M/F | 14.3" / 36,5 cm | 47.3" / 120 cm | 30" / 76 cm | | Turkish Walnut |
| Steel | 36 | 2.70kg / 95,2 oz. | Extractor | C/I/C/M/I/M/F | 14.3" / 36,5 cm | <i>Applicable to All Calibers.</i> | | | Turkish Walnut |

OVER & UNDER SHOTGUN | Precision Over/Under Slug Barrel, Ejector & Extractor System

| RECEIVER | GAUGE | AVERAGE WEIGHT | SYSTEM | CHOKE | LENGTH OF PULL | OVERAL LENGTH | BARREL LENGTH | COLOUR | STOCK |
|---|-------|--------------------|---------------------|-------------|-----------------|---------------|---------------|--------|----------------|
| TUNDRA TAC Built with a 4140 Steel Receiver, Ejector and Extractor System. | | | | | | | | | |
| Steel | 12 | 3.00kg / 105,8 oz. | Ejector / Extractor | Slug Barrel | 14.3" / 36,5 cm | 37.2" / 94 cm | 18." / 47 cm | Black | Turkish Walnut |
| Steel | 12 | 2.90kg / 102,3oz. | Ejector / Extractor | Slug Barrel | 14.3" / 36,5 cm | 37.2" / 94 cm | 20" / 51 cm | Black | Synthetic |

Applicable to All Calibers.



Signature SERIES

THE ULTIMATE EXPRESSION OF EXCELLENCE

Step into a world where craftsmanship and innovation converge with our **Signature Series** shotguns. Representing the zenith of our over **29 years of** gunmaking heritage, these shotguns are meticulously designed for the discerning shooter who demands nothing but the best. **The Signature Series** embodies a perfect balance of form and function, featuring premium black or white receivers that are elegantly paired with hand-selected, high-grade wooden stocks. Each shotgun is a masterpiece, meticulously crafted with precision engineering and detailed artistry to deliver unparalleled performance and timeless beauty.

With the **Signature Series**, not only you own a firearm; but also you own a legacy. Experience the pinnacle of shotgun craftsmanship and elevate your shooting to new heights with the **Signature Series**.

SIGNATURE SERIES OVER & UNDER



SIGNATURE - I
Over & Under Shotgun



SIGNATURE - II
Over & Under Shotgun



SIGNATURE - III
Over & Under Shotgun



SIGNATURE - IV
Over & Under Shotgun

OVER & UNDER SHOTGUN | Precision Over/Under Barrel Design, Ejector & Extractor System, Calibre Options (12/20)

| RECEIVER | GAUGE | AVERAGE WEIGHT | SYSTEM | CHOKE | LENGTH OF PULL | OVERAL LENGTH | BARREL LENGTH | COLOUR | STOCK |
|---|-------|--------------------|---------------------|-------------|-----------------|----------------|---------------|--------|----------------|
| SIGNATURE SERIES Built with a 4140 Steel Receiver, Ejector and Extractor System. | | | | | | | | | |
| Hammered Steel | 12 | 3.50kg / 123,4 oz. | Ejector / Extractor | C/IC/M/IM/F | 14,3" / 36,5 cm | 43,3" / 110 cm | 26" / 66 cm | White | Turkish Walnut |
| Hammered Steel | 20 | 3.20kg / 112,8 oz. | Ejector / Extractor | C/IC/M/IM/F | 14,3" / 36,5 cm | 45,3" / 115 cm | 28" / 71 cm | White | Turkish Walnut |

Applicable to All Calibers.



ST 500 ELITE

Designed For Elite Shooters

ST - 500 OVER & UNDER



ST-500 ELITE GOLD
Over & Under Shotgun
Special Engraved



ST-500 ELITE
Over & Under Shotgun
Special Engraved



ST-500 WHITE
Over & Under Shotgun



ST-500 BLACK
Over & Under Shotgun

OVER & UNDER SHOTGUN | Engraved Receiver, Precision Twin-Barrel Choked Configuration, Calibre Options (12/20)

| RECEIVER | GAUGE | AVERAGE WEIGHT | SYSTEM | CHOKE | LENGTH OF PULL | OVERAL LENGTH | BARREL LENGTH | COLOUR | STOCK |
|---|-------|--------------------|---------------------|-------------|-----------------|----------------|---------------|--------|----------------|
| ST-500 ELITE Built with a 7075 Aluminum Receiver, Ejector and Extractor System. | | | | | | | | | |
| Aluminum | 12 | 3,50kg / 123,4 oz. | Ejector / Extractor | C/IC/M/IM/F | 14,3" / 36,5 cm | 43,3" / 110 cm | 26" / 66 cm | White | Turkish Walnut |
| Aluminum | 20 | 3,15kg / 111,1 oz. | Ejector / Extractor | C/IC/M/IM/F | 14,3" / 36,5 cm | 45,3" / 115 cm | 28" / 71 cm | Black | Turkish Walnut |

Applicable to All Calibers.



SEMI AUTO SHOTGUN

With 29 years of expertise, Kral Arms sets the gold standard in semi-automatic shotguns. Our shotguns combine unrivaled craftsmanship, cutting-edge technology, and flawless performance. Designed for ultimate reliability and precision, they stand as the first choice for hunters who demand the best. Kral Arms ensures that every shot is powerful, accurate and unforgettable.

RAPTOR

SEMI AUTO SHOTGUN

UNMATCHED
HUNTING
POWER



The **Raptor** semi-automatic shotgun combines the latest design with unmatched versatility. Available in multiple configurations, including High-Quality Synthetic Stock, Turkish Walnut Stock, Semi-Camouflage, and Full Camouflage, it is crafted to meet the needs of every hunter. It has 12 and 20 Ga options. The Raptor offers superior performance across the board. Redesigned and enlarged operating handle and release button ensures the ergonomic operation while loading and unloading. Built to withstand the harshest environments, the Raptor ensures a reliable and comfortable shooting experience in every scenario.

RAPTOR SERIES
SEMI AUTOMATIC



RAPTOR - W
Semi Automatic Shotgun



RAPTOR - S
Semi Automatic Shotgun



HALF CAMOUFLAGE
Semi Automatic Shotgun



FULL CAMOUFLAGE
Semi Automatic Shotgun

SEMI AUTOMATIC SHOTGUN | Lightweight Alloy Construction, Gas-Operated Action, Available in 12/20 Gauge Options.

| RECEIVER | GAUGE | AVERAGE WEIGHT | SYSTEM | CHOKE | LENGTH OF PULL | OVERAL LENGTH | BARREL LENGTH | MAGAZINE CAPACITY | STOCK |
|---|-------|--------------------|--------------|--------|-----------------|------------------------------------|---------------|-------------------|----------------|
| RAPTOR Built with a 7075 Aluminum Receiver, Gas Operated System. | | | | | | | | | |
| Aluminum | 12 | 3.20kg / 112,8 oz. | Gas Operated | C/M/IM | 14.3" / 36,5 cm | 43.3" / 110 cm | 26" / 66 cm | 2+1 / 4+1 / 7+1 | Turkish Walnut |
| Aluminum | 12 | 3.00kg / 105,8 oz. | Gas Operated | C/M/IM | 14.3" / 36,5 cm | 45.3" / 115 cm | 28" / 71 cm | 2+1 / 4+1 / 7+1 | Synthetic |
| Aluminum | 20 | 2.90kg / 102,3 oz. | Gas Operated | C/M/IM | 14.3" / 36,5 cm | 47.3" / 120 cm | 30" / 76 cm | 2+1 / 4+1 / 7+1 | Turkish Walnut |
| Aluminum | 20 | 2.80kg / 98,8 oz. | Gas Operated | C/M/IM | 14.3" / 36,5 cm | <i>Applicable to All Calibers.</i> | | 2+1 / 4+1 / 7+1 | Synthetic |

AZARAX SERIES
SEMI AUTOMATIC



AZARAX - W
Semi Automatic Shotgun



AZARAX - S
Semi Automatic Shotgun



HALF CAMOUFLAGE
Semi Automatic Shotgun



FULL CAMOUFLAGE
Semi Automatic Shotgun

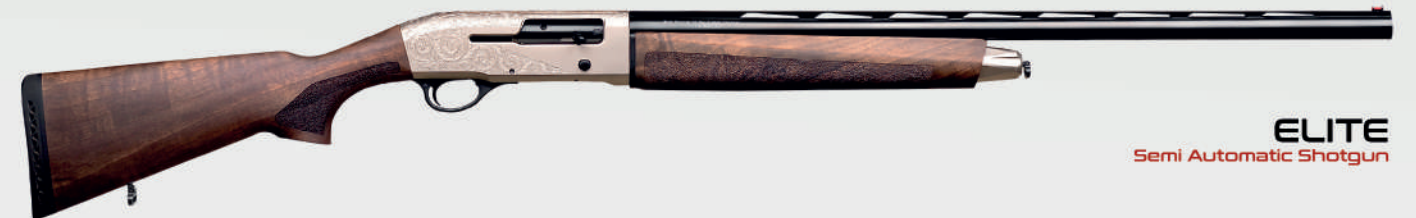
AZARAX SERIES
SEMI AUTOMATIC



E - 200
Semi Automatic Shotgun



E - 220
Semi Automatic Shotgun



ELITE
Semi Automatic Shotgun

The Azarax Elite 12 Ga. Semi-Auto features a precision-engraved receiver, enhancing its structural aesthetics without compromising durability. The detailed machining work adds a refined, premium character, making it suitable for users who appreciate technical craftsmanship alongside reliable field performance.

SEMI AUTOMATIC SHOTGUN | Lightweight Alloy Construction, Gas-Operated Action, Available in 12/20 Gauge Options.

| RECEIVER | GAUGE | AVERAGE WEIGHT | SYSTEM | CHOKE | LENGTH OF PULL | OVERAL LENGTH | BARREL LENGTH | MAGAZINE CAPACITY | STOCK |
|--|-------|--------------------|--------------|--------|-----------------|-----------------------------|-----------------|-------------------|----------------|
| AZARAX Built with a 7075 Aluminum Receiver, Gas Operated System | | | | | | | | | |
| Aluminum | 12 | 3.20kg / 112,8 oz. | Gas Operated | C/M/IM | 14.3" / 36,5 cm | 43.3" / 110 cm | 26" / 66 cm | 2+1 / 4+1 / 7+1 | Turkish Walnut |
| Aluminum | 12 | 3.10kg / 109,3 oz. | Gas Operated | C/M/IM | 14.3" / 36,5 cm | 45.3" / 115 cm | 28" / 71 cm | 2+1 / 4+1 / 7+1 | Synthetic |
| Aluminum | 20 | 3.00kg / 105,8 oz. | Gas Operated | C/M/IM | 14.3" / 36,5 cm | 47.3" / 120 cm | 30" / 76 cm | 2+1 / 4+1 / 7+1 | Turkish Walnut |
| Aluminum | 20 | 2.90kg / 102,2 oz. | Gas Operated | C/M/IM | 14.3" / 36,5 cm | Applicable to All Calibers. | 2+1 / 4+1 / 7+1 | | Synthetic |

SEMI AUTOMATIC SHOTGUN | Turkish Walnut Stock, Gas-Operated Action, Available in 12/20 Gauge Options.

| RECEIVER | GAUGE | AVERAGE WEIGHT | SYSTEM | CHOKE | LENGTH OF PULL | OVERAL LENGTH | BARREL LENGTH | MAGAZINE CAPACITY | STOCK |
|--|-------|--------------------|--------------|--------|-----------------|----------------|---------------|-------------------|----------------|
| AZARAX Built with a 7075 Aluminum Receiver, Gas Operated System | | | | | | | | | |
| Aluminum | 12 | 3.40kg / 120 oz. | Gas Operated | C/M/IM | 14.3" / 36,5 cm | 43.3" / 110 cm | 26" / 66 cm | 2+1 / 4+1 / 7+1 | Turkish Walnut |
| Aluminum | 20 | 3.10kg / 109,3 oz. | Gas Operated | C/M/IM | 14.3" / 36,5 cm | 45.3" / 115 cm | 28" / 71 cm | 2+1 / 4+1 / 7+1 | Turkish Walnut |
| - | - | - | - | - | - | 47.3" / 120 cm | 30" / 76 cm | - | - |
| <i>Applicable to All Calibers.</i> | | | | | | | | | |

AZARAX SLUG BARREL
SEMI AUTOMATIC



CANTILEVER - W
Semi Automatic Shotgun



CANTILEVER - S
Semi Automatic Shotgun



AZARAX SLUG - W
Semi Automatic Shotgun



AZARAX SLUG - S
Semi Automatic Shotgun

AZARAX MAGNUM
SEMI AUTOMATIC



MAGNUM
Semi Automatic Shotgun



Engineered to handle high-pressure, heavy-load ammunition, this rugged semi-automatic shotgun delivers consistent performance shot after shot. Featuring a 3.5" chamber and a precision slug barrel, it utilizes a reliable gas-operated system to reduce felt recoil and ensure smooth cycling even with magnum loads. Its lightweight yet durable construction, combined with multiple magazine capacity options and a comfortable synthetic stock, makes it an ideal choice for demanding hunting conditions and extended field use.

SEMI AUTOMATIC SHOTGUN | Lightweight Alloy Construction, Slug Barrel, Gas-Operated, Available in 12/20 Gauge Options.

| RECEIVER | GAUGE | AVERAGE WEIGHT | SYSTEM | CHOKE | LENGTH OF PULL | OVERAL LENGTH | BARREL LENGTH | MAGAZINE CAPACITY | STOCK |
|---|-------|--------------------|--------------|-------------|-----------------|-----------------------------|-----------------|-------------------|----------------|
| AZARAX SLUG Built with a 7075 Aluminum Receiver, Gas Operated System | | | | | | | | | |
| Aluminum | 12 | 3.40kg / 120 oz. | Gas Operated | Slug Barrel | 14.3" / 36,5 cm | 43.3" / 110 cm | 26" / 66 cm | 2+1 / 4+1 / 7+1 | Turkish Walnut |
| Aluminum | 12 | 3.20kg / 112,8 oz. | Gas Operated | Slug Barrel | 14.3" / 36,5 cm | 45.3" / 115 cm | 28" / 71 cm | 2+1 / 4+1 / 7+1 | Synthetic |
| Aluminum | 20 | 3.10kg / 109,3 oz. | Gas Operated | Slug Barrel | 14.3" / 36,5 cm | 47.3" / 120 cm | 30" / 76 cm | 2+1 / 4+1 / 7+1 | Turkish Walnut |
| Aluminum | 20 | 3.10kg / 109,3 oz. | Gas Operated | Slug Barrel | 14.3" / 36,5 cm | Applicable to All Calibers. | 2+1 / 4+1 / 7+1 | 2+1 / 4+1 / 7+1 | Synthetic |

SEMI AUTOMATIC SHOTGUN | 3,5" Chamber, Slug Barrel, Gas-Operated, Available in 12 Gauge Options.

| RECEIVER | GAUGE | AVERAGE WEIGHT | SYSTEM | CHOKE | LENGTH OF PULL | OVERAL LENGTH | BARREL LENGTH | MAGAZINE CAPACITY | STOCK |
|---|-------|------------------|--------------|--------|-----------------|----------------|---------------|-------------------|-----------|
| AZARAX MAGNUM Built with a 7075 Aluminum Receiver, Gas Operated System | | | | | | | | | |
| Aluminum | 12 | 3.40kg / 120 oz. | Gas Operated | C/M/IM | 14.3" / 36,5 cm | 43.3" / 110 cm | 26" / 66 cm | 2+1 / 4+1 / 7+1 | Synthetic |

AZARAX COMBO
SEMI AUTOMATIC



COMBO - W
Semi Automatic Shotgun



COMBO - S
Semi Automatic Shotgun

A12 SERIES
SEMI AUTOMATIC



A12 - W
Semi Automatic Shotgun



A12 - S
Semi Automatic Shotgun



HALF CAMOUFLAGE
Semi Automatic Shotgun



FULL CAMOUFLAGE
Semi Automatic Shotgun

TWO BARRELS, ONE SUPERIOR PERFORMANCE

The Azarax Combo Semi-Automatic Shotgun is built for versatility, featuring two interchangeable barrels—a 61 cm / 24" slug barrel for precision and a standard field barrel for general hunting. Its durable, finely machined 7075 aluminum receiver keeps the platform lightweight yet exceptionally strong, while the gas-operated system ensures smooth cycling and controlled recoil.

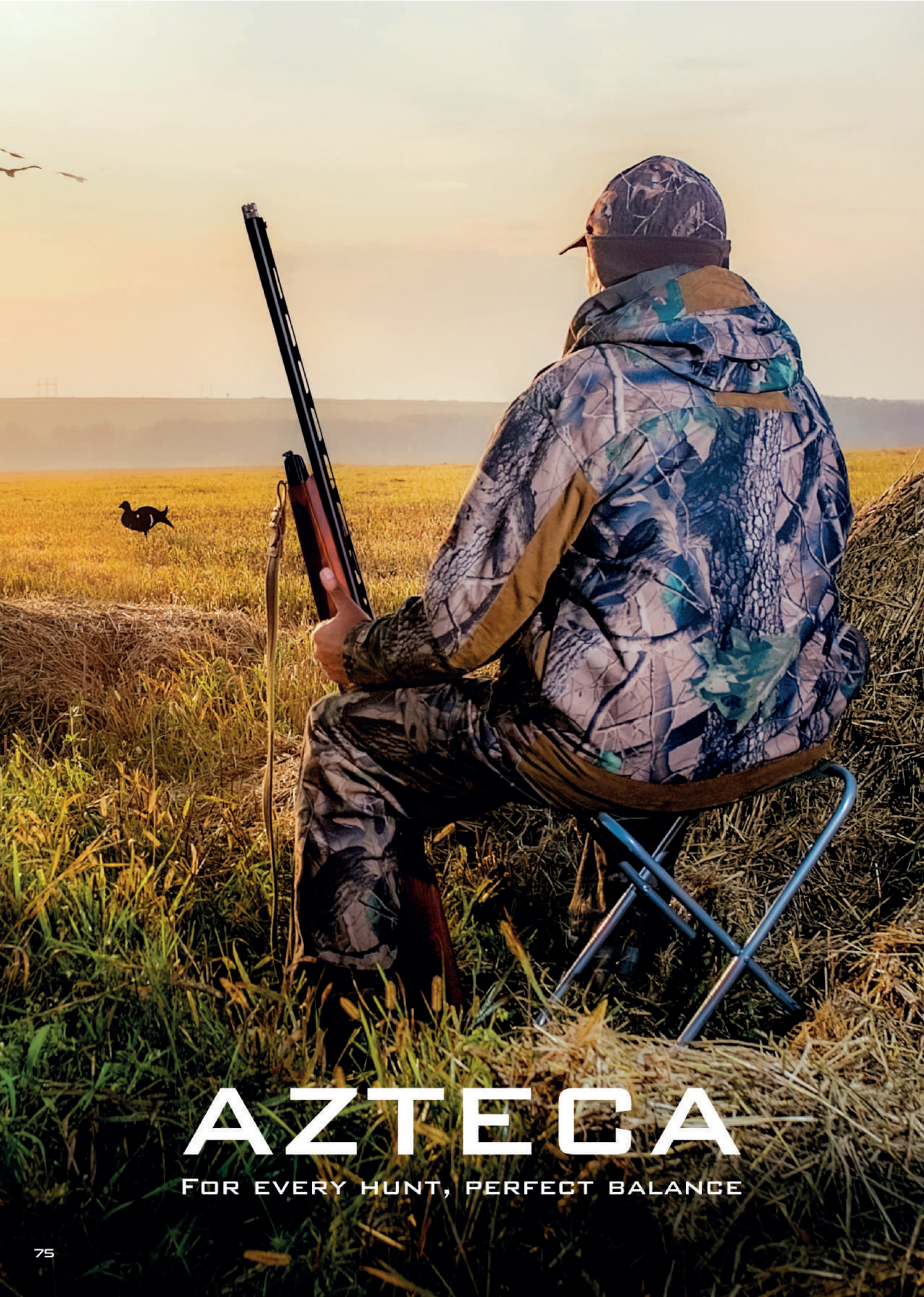
With multi-choke compatibility (C/IC/M/IM/F) and multiple gauge options, the Azarax Combo easily adapts to different shooting environments and game types. Delivering reliable performance, consistent accuracy, and seamless transition between roles, it stands as a flexible and dependable choice for modern hunters.

SEMI AUTOMATIC SHOTGUN | Dual-Barrel Package, Gas-Operated System, Available in 12/20 Gauge Options.

| RECEIVER | GAUGE | AVERAGE WEIGHT | SYSTEM | CHOKE | LENGTH OF PULL | OVERAL LENGTH | BARREL LENGTH | MAGAZINE CAPACITY | STOCK |
|--|-------|--------------------|--------------|--------|-----------------|-----------------------------|-----------------|-------------------|----------------|
| AZARAX COMBO Built with a 7075 Aluminum Receiver, Gas Operated System | | | | | | | | | |
| Aluminum | 12 | 3.40kg / 120 oz. | Gas Operated | C/M/IM | 14.3" / 36,5 cm | 43.3" / 110 cm | 26" / 66 cm | 2+1 / 4+1 / 7+1 | Turkish Walnut |
| Aluminum | 12 | 3.20kg / 112,8 oz. | Gas Operated | C/M/IM | 14.3" / 36,5 cm | 45.3" / 115 cm | 28" / 71 cm | 2+1 / 4+1 / 7+1 | Synthetic |
| Aluminum | 20 | 3.10kg / 109,3 oz. | Gas Operated | C/M/IM | 14.3" / 36,5 cm | 47.3" / 120 cm | 30" / 76 cm | 2+1 / 4+1 / 7+1 | Turkish Walnut |
| Aluminum | 20 | 3.10kg / 109,3 oz. | Gas Operated | C/M/IM | 14.3" / 36,5 cm | Applicable to All Calibers. | 2+1 / 4+1 / 7+1 | 2+1 / 4+1 / 7+1 | Synthetic |

SEMI AUTOMATIC SHOTGUN | Lightweight Alloy Construction, Gas-Operated Action, Available in 12/20 Gauge Options.

| RECEIVER | GAUGE | AVERAGE WEIGHT | SYSTEM | CHOKE | LENGTH OF PULL | OVERAL LENGTH | BARREL LENGTH | MAGAZINE CAPACITY | STOCK |
|--|-------|--------------------|--------------|--------|-----------------|-----------------------------|-----------------|-------------------|-----------------|
| A12 SERIES Built with a 7075 Aluminum Receiver, Gas Operated System | | | | | | | | | |
| Aluminum | 12 | 3.40kg / 120 oz. | Gas Operated | C/M/IM | 14.3" / 36,5 cm | 43.3" / 110 cm | 26" / 66 cm | 2+1 / 4+1 / 7+1 | Turkish Walnut |
| Aluminum | 12 | 3.20kg / 112,8 oz. | Gas Operated | C/M/IM | 14.3" / 36,5 cm | 45.3" / 115 cm | 28" / 71 cm | 2+1 / 4+1 / 7+1 | Synthetic |
| Aluminum | 12 | 3.20kg / 112,8 oz. | Gas Operated | C/M/IM | 14.3" / 36,5 cm | 47.3" / 120 cm | 30" / 76 cm | 2+1 / 4+1 / 7+1 | Half Camouflage |
| Aluminum | 12 | 3.20kg / 112,8 oz. | Gas Operated | C/M/IM | 14.3" / 36,5 cm | Applicable to All Calibers. | 2+1 / 4+1 / 7+1 | 2+1 / 4+1 / 7+1 | Full Camouflage |



AZTECA

FOR EVERY HUNT, PERFECT BALANCE

AZTECA SEMI AUTOMATIC



AZTECA - W
Semi Automatic Shotgun



AZTECA - S
Semi Automatic Shotgun



AZTECA - C
Semi Automatic Shotgun

SEMI AUTOMATIC SHOTGUN | Lightweight Alloy Construction, Gas-Operated Action, 12 Gauge Configuration.

| RECEIVER | GAUGE | AVERAGE WEIGHT | SYSTEM | CHOKE | LENGTH OF PULL | OVERAL LENGTH | BARREL LENGTH | MAGAZINE CAPACITY | STOCK |
|--|-------|--------------------|--------------|--------|-----------------|----------------|---------------|-------------------|----------------|
| AZTECA Built with a 7075 Aluminum Receiver, Gas Operated System | | | | | | | | | |
| Aluminum | 12 | 3.40kg / 120 oz. | Gas Operated | C/M/IM | 14.3" / 36,5 cm | 43.3" / 110 cm | 26" / 66 cm | 2+1 / 4+1 / 7+1 | Turkish Walnut |
| Aluminum | 12 | 3.10kg / 109,3 oz. | Gas Operated | C/M/IM | 14.3" / 36,5 cm | 45.3" / 115 cm | 28" / 71 cm | 2+1 / 4+1 / 7+1 | Synthetic |
| Aluminum | 12 | 3.10kg / 109,3 oz. | Gas Operated | C/M/IM | 14.3" / 36,5 cm | 47.3" / 120 cm | 30" / 76 cm | 2+1 / 4+1 / 7+1 | Camouflage |

Applicable to All Calibers.

KINEMATIX



THE POWER OF PURE INERTIA DRIVEN

Designed for shooters who expect uncompromising performance, the **KINEMATIX** stands at the intersection of precision engineering and field-proven reliability. Its refined **Inertia Driven System** harnesses recoil energy to cycle smoothly, offering exceptionally clean operation with minimal carbon buildup. This system not only reduces maintenance needs but also ensures flawless functioning across a wide range of loads from light target shells to heavy hunting cartridges.

Crafted with a lightweight yet durable architecture, the KINEMATIX delivers fast target acquisition, superior balance, and reduced muzzle rise for quicker follow-up shots. Precision-machined components work in harmony to provide consistent lock-up, crisp handling, and a dependable shooting rhythm even under demanding weather conditions. Whether in the field or on the range, the **KINEMATIX** elevates your shooting experience with its stability, speed, and unmistakable smoothness.

KINEMATIX
SEMI AUTOMATIC



KINEMATIX - W
Semi Automatic Shotgun



KINEMATIX - S
Semi Automatic Shotgun

INERTIA DRIVEN
SYSTEM

SEMI AUTOMATIC SHOTGUN | Inertia-Driven System, Lightweight Design, Available in 12Gauge

| RECEIVER | GAUGE | AVERAGE WEIGHT | SYSTEM | CHOKE | LENGTH OF PULL | OVERAL LENGTH | BARREL LENGTH | MAGAZINE CAPACITY | STOCK |
|--|-------|--------------------|----------------|--------|-----------------|----------------|---------------|-------------------|----------------|
| KINEMATIX Built with a 7075 Aluminum Receiver, Inertia Driven System. | | | | | | | | | |
| Aluminum | 12 | 3,40kg / 120 oz. | Inertia Driven | C/M/IM | 14,3" / 36,5 cm | 43,3" / 110 cm | 26" / 66 cm | 2+1 / 4+1 / 7+1 | Turkish Walnut |
| Aluminum | 12 | 3,30kg / 116,4 oz. | Inertia Driven | C/M/IM | 14,3" / 36,5 cm | 45,3" / 115 cm | 28" / 71 cm | 2+1 / 4+1 / 7+1 | Synthetic |

47,3" / 120 cm 30" / 76 cm
Applicable to All Calibers.

HUNTING PUMP

The Kral Arms Hunting Pump series is designed to meet the needs of every hunter and enthusiast. With three distinct models – the Hunting Pump W, Hunting Pump S, and Tactical Marine – this series offers versatility, durability, and reliability in the field. The Hunting Pump W features a classic wood stock, perfect for those who appreciate tradition and elegance. The Hunting Pump S, equipped with a synthetic stock, provides a lightweight and weather-resistant option for rugged conditions. For those seeking a tactical edge, the Tactical Marine model stands out with its modern design and performance. Available in both 47 cm and 51 cm barrel lengths, these pump-action shotguns deliver powerful performance and precision, ensuring a reliable hunting experience in any environment.

HUNTING PUMP PUMP ACTION



TACTICAL MARINE
Hunting Pump Action Shotgun



HUNTING PUMP - W
Hunting Pump Action Shotgun



HUNTING PUMP - S
Hunting Pump Action Shotgun

| PUMP ACTION SHOTGUN Pump-Action System, Slug or C/M/IM Choke Options, (47 - 51 cm) Barrel | | | | | | | | | | |
|---|-------|-------------------|-------------|----------------|-----------------|----------------|---------------|-------------------|----------------|--|
| RECEIVER | GAUGE | AVERAGE WEIGHT | SYSTEM | CHOKE | LENGTH OF PULL | OVERAL LENGTH | BARREL LENGTH | MAGAZINE CAPACITY | STOCK | |
| HUNTING PUMP Built with a 7075 Aluminum Receiver, Pump Action System. | | | | | | | | | | |
| Aluminum | 12 | 2.80kg / 98,8 oz. | Pump Action | Slug or C/M/IM | 14.3" / 36,5 cm | 42.9" / 109 cm | 18.5" / 20" | 2+1 / 4+1 / 7+1 | Turkish Walnut | |
| Aluminum | 12 | 2.60kg / 91,7 oz. | Pump Action | Slug or C/M/IM | 14.3" / 36,5 cm | 42.9" / 109 cm | 18.5" / 20" | 2+1 / 4+1 / 7+1 | Synthetic | |

A soldier in full tactical gear, including a helmet and a vest, is holding a Kral Arms MX4 semi-automatic shotgun. The soldier is wearing a dark jacket with a red patch on the left sleeve. The background is a dark, wooded area. The text "SEMI AUTO TACTICAL SHOTGUN" is overlaid on the left side of the image.

SEMI AUTO TACTICAL SHOTGUN

The Tactical Semi-Auto Shotgun line by Kral Arms represents a fusion of strength, precision, and reliability across five dynamic models: X, XM, L, X_TAC and MX4. Each shotgun in this category is engineered for tactical superiority, ensuring unmatched control and power for any situation. From the X's agility to the MX4's versatility, these models cover every tactical need, backed by Kral Arms renowned quality and innovation. For professionals and enthusiasts alike, the Tactical Semi-Auto Shotguns are a choice that stands ready, reliable and resilient under pressure.

TACTICAL SHOTGUN
SEMI AUTOMATIC



SEMI AUTO - MX4
Tactical Semi Automatic Shotgun



SEMI AUTO - L
Tactical Semi Automatic Shotgun



SEMI AUTO - X-TAC
Tactical Semi Automatic Shotgun



SEMI AUTO - XM
Tactical Semi Automatic Shotgun



SEMI AUTO - X
Tactical Semi Automatic Shotgun

TACTICAL SHOTGUN | Gas-Operated System, Slug or C/M/IM Choke Options, 20" Tactical Barrel, Rapid-Cycling Performance

| RECEIVER | GAUGE | AVERAGE WEIGHT | SYSTEM | CHOKE | LENGTH OF PULL | OVERAL LENGTH | BARREL LENGTH | MAGAZINE CAPACITY | STOCK |
|--|-------|--------------------|--------------|----------------|-----------------|----------------|---------------|-------------------|-----------|
| TACTICAL SEMI AUTO Built with a 7075 Aluminum Receiver, Ejector and Extractor System. | | | | | | | | | |
| Aluminum | 12 | 3.20kg / 112,8 oz. | Gas Operated | Slug or C/M/IM | 14.3" / 36,5 cm | 42.9" / 109 cm | 18.5" / 20" | 2+1 / 4+1 / 7+1 | Synthetic |

TACTICAL SHOTGUN
PUMP ACTION



PUMP ACTION - L
Tactical Pump Action Shotgun



PUMP ACTION - X-TAC
Tactical Pump Action Shotgun



PUMP ACTION - XM
Tactical Pump Action Shotgun



PUMP ACTION - X
Tactical Semi Automatic Shotgun



PUMP ACTION - M
Tactical Pump Action Shotgun

TACTICAL SHOTGUN | Pump-Action System, Slug or C/M/IM Choke Options, 20" Tactical Barrel, Enhanced Grip Configuration

| RECEIVER | GAUGE | AVERAGE WEIGHT | SYSTEM | CHOKE | LENGTH OF PULL | OVERAL LENGTH | BARREL LENGTH | MAGAZINE CAPACITY | STOCK |
|--|-------|--------------------|-------------|----------------|-----------------|----------------|---------------|-------------------|-----------|
| TACTICAL PUMP ACTION Built with a 7075 Aluminum Receiver, Pump Action System. | | | | | | | | | |
| Aluminum | 12 | 3.20kg / 112,8 oz. | Pump Action | Slug or C/M/IM | 14.3" / 36,5 cm | 42.9" / 109 cm | 18.5" / 20" | 2+1 / 4+1 / 7+1 | Synthetic |



MAGAZINE FED SHOTGUN

K410
MAGAZINE FED SHOTGUN

 **KRAL ARMS®**
www.kralarms.com



CERAKOTED BR
Magazine Fed Shotgun



CERAKOTED BW
Magazine Fed Shotgun



CERAKOTED GR
Magazine Fed Shotgun



BLACK
Magazine Fed Shotgun

**.410
Bore**

MAGAZINE FED SHOTGUN | AR-Style Platform, 36 Ga. (.410 Bore) Lightweight Tactical Configuration

| RECEIVER | GAUGE | AVERAGE WEIGHT | SYSTEM | Magazine Capacity | LENGTH OF PULL | OVERAL LENGTH | BARREL LENGTH | FINISH | STOCK |
|--|-------|--------------------|--------------|-------------------|-----------------|---------------|---------------|--------------|-----------|
| K410 SERIES Built with a 7075 Aluminum Receiver, Magazine Fed System. | | | | | | | | | |
| Aluminum | 36 | 3.10kg / 109,3 oz. | Magazine Fed | 2+1 / 5+1 / 10+1 | 14.3" / 36,5 cm | 40.5" / 35.8" | 18.5" / 20" | Black Chrome | Synthetic |
| Aluminum | 36 | 3.10kg / 109,3 oz. | Magazine Fed | 2+1 / 5+1 / 10+1 | 14.3" / 36,5 cm | 40.5" / 35.8" | 18.5" / 20" | Cerakoted | Synthetic |

XPS W
MAGAZINE FED SHOTGUN



XPS W - G1
Magazine Fed Shotgun



XPS W - G2
Magazine Fed Shotgun

Scope is Optional

XPS S
MAGAZINE FED SHOTGUN



XPS S - BLACK
Magazine Fed Shotgun



GREEN CERAKOTED
Magazine Fed Shotgun

Lightweight Strength, Consistent Shot Control

Designed with an AK-inspired profile, this Semi-Automatic Hunting Shotgun delivers rugged reliability and modern handling in every environment. Built with HQ stamped sheet metal, it incorporates a precision-machined ejector & extractor system and is optimized for consistent performance with 12-gauge shotshells.

The platform offers multiple magazine capacities (2+1 / 5+1 / 8+1), two barrel length options (18.5" or 20"), and a comfortable length of pull engineered for fast, confident shouldering.

In addition to the premium Turkish walnut version, the shotgun is also offered in a Synthetic lightweight, weather-resistant polymer stocks designed for harsh field conditions and tactical use. This combination of toughness, ergonomics, and AK-style control layout makes it a versatile choice for both practical shooting and hunting scenarios.

MAGAZINE FED SHOTGUN | Turkish Walnut Stock & Grip, Gas-Operated System, Magazine-Fed Configuration

| RECEIVER | GAUGE | AVERAGE WEIGHT | SYSTEM | Magazine Capacity | LENGTH OF PULL | OVERAL LENGTH | BARREL LENGTH | FINISH | STOCK |
|--|---------|--------------------|--------------|-------------------|-----------------|---------------|---------------|--------------|----------------|
| XPS SERIES Built with HQ stamped sheel metal. | | | | | | | | | |
| Aluminum | 12 cal. | 3.70kg / 130,5 oz. | Magazine Fed | 2+1 / 5+1 / 8+1 | 14.3" / 36,5 cm | 40.5" / 35.8" | 18.5" / 20" | Black Chrome | Turkish Walnut |

MAGAZINE FED SHOTGUN | Synthetic Tactical Stock, Gas-Operated System, Magazine-Fed Configuration

| RECEIVER | GAUGE | AVERAGE WEIGHT | SYSTEM | Magazine Capacity | LENGTH OF PULL | OVERAL LENGTH | BARREL LENGTH | FINISH | STOCK |
|---|-------|--------------------|--------------|-------------------|-----------------|---------------|---------------|--------------|-----------|
| XPS SERIES Built with a 7075 Aluminum Receiver, Magazine Fed System. | | | | | | | | | |
| Aluminum | 12 | 3.30kg / 116,4 oz. | Magazine Fed | 2+1 / 5+1 / 8+1 | 14.3" / 36,5 cm | 40.5" / 35.8" | 18.5" / 20" | Black Chrome | Synthetic |

XPS TACTICAL
MAGAZINE FED SHOTGUN



XPS - BLACK
Magazine Fed Shotgun



XPS - GREEN
Magazine Fed Shotgun



XPS - FDE
Magazine Fed Shotgun

K12 SERIES
MAGAZINE FED SHOTGUN



K12 - BLACK
Magazine Fed Shotgun

Aluminium Lower Receiver



K12 - BLACK
Magazine Fed Shotgun

Polymer Lower Receiver



K12 - FDE
Magazine Fed Shotgun

MAGAZINE FED SHOTGUN | Tactical Stock & Forend, Gas-Operated System, Magazine-Fed Configuration*

| RECEIVER | GAUGE | AVERAGE WEIGHT | SYSTEM | Magazine Capacity | LENGTH OF PULL | OVERAL LENGTH | BARREL LENGTH | FINISH | STOCK |
|---|-------|--------------------|--------------|-------------------|-----------------|---------------|---------------|--------------|-------------------------|
| XPS TACTICAL Built with a 7075 Aluminum Receiver, Magazine Fed System. | | | | | | | | | |
| Aluminum | 12 | 4.50kg / 158,7 oz. | Magazine Fed | 2+1 / 5+1 / 8+1 | 14.3" / 36,5 cm | 40.5" / 35.8" | 18.5" / 20" | Black Chrome | Tactical Adj. Synthetic |
| Aluminum | 12 | 4.50kg / 158,7 oz. | Magazine Fed | 2+1 / 5+1 / 8+1 | 14.3" / 36,5 cm | 40.5" / 35.8" | 18.5" / 20" | Cerakoted | Tactical Adj. Synthetic |

SEMI AUTOMATIC SHOTGUN | Built with an Aluminum Handguard, Gas-Operated System, Magazine-Fed Configuration

| RECEIVER | GAUGE | AVERAGE WEIGHT | SYSTEM | Magazine Capacity | LENGTH OF PULL | OVERAL LENGTH | BARREL LENGTH | FINISH | STOCK |
|--|-------|--------------------|--------------|-------------------|-----------------|---------------|---------------|-----------|-------------------------|
| K12 Built with a 7075 Aluminum Receiver, Magazine Fed System. | | | | | | | | | |
| Aluminum | 12 | 3.30kg / 116,4 oz. | Magazine Fed | 2+1 / 5+1 / 10+1 | 14.3" / 36,5 cm | 40.5" / 35.8" | 18.5" / 20" | Polymer | Tactical Adj. Synthetic |
| Aluminum | 12 | 3.30kg / 116,4 oz. | Magazine Fed | 2+1 / 5+1 / 10+1 | 14.3" / 36,5 cm | 40.5" / 35.8" | 18.5" / 20" | Cerakoted | Tactical Adj. Synthetic |

COMPACT
MAGAZINE FED SHOTGUN



COMPACT - BLACK
Magazine Fed Shotgun



COMPACT F - FDE
Magazine Fed Shotgun



COMPACT F - GREEN
Magazine Fed Shotgun

SEMI AUTOMATIC SHOTGUN | Built with a Bullpup Configuration, Compact Tactical Form

| RECEIVER | GAUGE | AVERAGE WEIGHT | SYSTEM | Magazine Capacity | LENGTH OF PULL | OVERAL LENGTH | BARREL LENGTH | FINISH | STOCK |
|--|-------|--------------------|--------------|-------------------|-----------------|---------------|---------------|---------|-----------|
| COMPACT Built with a 7075 Aluminum Receiver, Magazine Fed System. | | | | | | | | | |
| Aluminum | 12 | 4,50kg / 158,7 oz. | Magazine Fed | 2+1 / 5+1 / 8+1 | 14,3" / 36,5 cm | 40,5" / 35,8" | 18,5" / 20" | Polymer | Synthetic |

KRX SERIES
MAGAZINE FED SHOTGUN



KRX - BLACK
Magazine Fed Shotgun



KRX - FDE
Magazine Fed Shotgun



KRX - GREEN
Magazine Fed Shotgun

SEMI AUTOMATIC SHOTGUN | Built with a Precision-Machined Chassis, Magazine-Fed

| RECEIVER | GAUGE | AVERAGE WEIGHT | SYSTEM | Magazine Capacity | LENGTH OF PULL | OVERAL LENGTH | BARREL LENGTH | FINISH | STOCK |
|---|-------|--------------------|--------------|-------------------|-----------------|---------------|---------------|---------|-------------------------|
| KRX SERIES Built with a 7075 Aluminum Receiver, Magazine Fed System. | | | | | | | | | |
| Aluminum | 12 | 3,20kg / 112,8 oz. | Magazine Fed | 2+1 / 5+1 / 8+1 | 14,3" / 36,5 cm | 40,5" / 35,8" | 18,5" / 20" | Polymer | Tactical Adj. Synthetic |

PCP **PUNCHER** AIRGUNS



KRAL AIRGUNS
Superior Performance

MORTAL
PCP PUNCHER AIRGUNS



MORTAL - BLACK
PCP PUNCHER AIRGUN



MORTAL - FDE
PCP PUNCHER AIRGUN



MORTAL - TUNGSTEN
PCP PUNCHER AIRGUN



SHROUDED BARREL



ADJUSTABLE POWER



SIDE LEVER SYSTEM



5-STAGE ADJ. STOCK



22MM MILSPEC
PICATINNY

PCP PUNCHER AIRGUNS | High-Capacity Air System (200 Bar / 3000 PSI / 200 cc), Precision-Rifled Barrel, (4.5 / 5.5 / 6.35 mm)

| CALIBER | SHOT CAPACITY | MAGAZINE CAPACITY | VELOCITY | STOCK | BARREL LENGTH | LENGTH OF PULL | TOTAL LENGTH | AVERAGE WEIGHT |
|---|--------------------|-------------------|-----------------------|-----------|-----------------|-----------------------------|---------------|-------------------|
| MORTAL Built with a Precision-Rifled Barrel and Very-Effective PCP System. | | | | | | | | |
| 4.5 mm / .177 cal | 4.5 mm / 70 Shots | 4.5 mm / 14 Pcs | 850 fps / 18.3 Joules | Synthetic | 16,2" / 40,7 cm | 14,33" / 36,5 cm | 33,1" 84 cm | 3,60 kg / 127 oz. |
| 5.5 mm / .22 cal | 5.5 mm / 60 Shots | 5.5 mm / 12 Pcs | 800 fps / 35 Joules | Synthetic | 16,2" / 40,7 cm | 17,5" / 44,5 cm | 36,2" / 92 cm | 3,60 kg / 127 oz. |
| 6.35 mm / .25 cal. | 6.35 mm / 50 Shots | 6.35 mm / 10 Pcs | 750 fps / 42.8 Joules | Synthetic | 16,2" / 40,7 cm | Applicable to All Calibers. | | 3,60 kg / 127 oz. |

MORTAL X
PCP PUNCHER AIRGUNS



MORTAL X - BLACK
PCP PUNCHER AIRGUN



MORTAL X - FDE
PCP PUNCHER AIRGUN

DETAILS

- Side lever action, pre-charged pneumatic (PCP) air rifle.
- Available in .177 (4.5mm), .22 (5.5mm) and .25 (6.35mm) caliber.
- 200 Bar 300 cc volume aluminum air tank..
- With 200 cc air tank - Shooting capacity from 200 bar to 50 bar up to 70 shots in cal .177 // 60 shots in cal .22 // 50 shots in cal .25
- 1/2" UNF threaded muzzle for additional detachable sound moderators.
- Detachable 14-shot magazine in .177 (4.5mm), 12-shot magazine in .22 (5.5mm) and 10-shot magazine in .25 (6.35mm).
- Adjustable 6 - Stage (back&forward) moveable tactical stock.
- Foldable Stock.
- The 22-22 mm PICATINNY RAIL system is in accordance with the MILSPEC standards. Scope or various accessories can easily be mounted and customized.

- Adjustable trigger pull weight.
- Adjustable trigger shoe in four directions; right, left, up and down.
- Manual trigger safety.
- Kral-built choked, rifled barrel
- Available in High Quality black synthetic stock.
- * Velocity results may vary as much as 20% due to pellet weight, pellet shape, temperature, elevation, as well as other factors.
- *Maximum velocity can verify as per regional requests.
- Scope is optional
- * Below power results are tested with (Cal .177 - 8.44 grain // .22- 18,13 grain // .25 -25,39 grain)



SHROUDED BARREL



ADJUSTABLE POWER



SIDE LEVER SYSTEM



5-STAGE ADJ. STOCK



22MM MILSPEC
PICATINNY

PCP PUNCHER AIRGUNS | High-Capacity Air System (200 Bar / 3600 PSI / 300 cc), Precision-Rifled Barrel, (4.5 / 5.5 / 6.35 mm)

| CALIBER | SHOT CAPACITY | MAGAZINE CAPACITY | VELOCITY | STOCK | BARREL LENGTH | LENGTH OF PULL | TOTAL LENGTH | AVERAGE WEIGHT |
|---|--------------------|-------------------|-----------------------|-----------|-----------------|-----------------------------|---------------|---------------------|
| MORTAL X Built with a Precision-Rifled Barrel and Very-Effective PCP System. | | | | | | | | |
| 4.5 mm / .177 cal | 4.5 mm / 70 Shots | 4.5 mm / 14 Pcs | 850 fps / 18.3 Joules | Synthetic | 16,2" / 40,7 cm | 14,33" / 36,5 cm | 33,1" 84 cm | 4,20 kg / 148,1 oz. |
| 5.5 mm / .22 cal | 5.5 mm / 60 Shots | 5.5 mm / 12 Pcs | 800 fps / 35 Joules | Synthetic | 16,2" / 40,7 cm | 17,5" / 44,5 cm | 36,2" / 92 cm | 4,20 kg / 148,1 oz. |
| 6.35 mm / .25 cal. | 6.35 mm / 50 Shots | 6.35 mm / 10 Pcs | 750 fps / 42.8 Joules | Synthetic | 16,2" / 40,7 cm | Applicable to All Calibers. | | 4,20 kg / 148,1 oz. |

IMPERIUM
PCP PUNCHER AIRGUNS



900 FPS

IMPERIUM - BLACK
PCP PUNCHER AIRGUN



IMPERIUM - FDE
PCP PUNCHER AIRGUN

SHADOW
PCP PUNCHER AIRGUNS



1000 FPS

SHADOW
PCP PUNCHER AIRGUN



SHADOW - F
PCP PUNCHER AIRGUN

DETAILS

- Side lever action, pre-charged pneumatic (PCP) air rifle.
- Available in .177 (4.5mm), .22 (5.5mm) and .25 (6.35mm) caliber.
- 250 Bar 250 cc volume aluminum air tank
- Up to 350 shots with two air tanks (500cc+500cc) in cal .177 // 300 shots in cal .22 // 250 shots in cal .25 (From 250 bar to 100 bar)
- Full Shrouded barrel.
- 1/2" UNF threaded muzzle for additional detachable sound moderators.
- Detachable 14-shot magazine in .177 (4.5mm), 12-shot magazine in .22 (5.5mm) and 10-shot magazine in .25 (6.35mm).
- The 11-22 mm PICATINNY RAIL system is in accordance with the MILSPEC standards. Scope or various accessories can easily be mounted and customized.
- Adjustable trigger pull weight.
- Kral-built choked, rifled barrel.
- Adjustable trigger shoe in four directions; right, left, up and down.
- Manual trigger safety.
- Available in aluminum receiver stock.
- * Velocity results may vary as much as 20% due to pellet weight, pellet shape, temperature, elevation, as well as other factors.
- *Maximum velocity can verify as per regional requests.
- Scope is optional
- * Below power results are tested with (Cal .177 - 8.44 grain // 18,13 grain // .25 -25,39 grain)



RIGHT & LEFT CHANGEABLE COCKING LEVER | 11-22MM MILSPEC PICATINNY | FULL SHROUDED BARREL | SIDE LEVER SYSTEM

PCP PUNCHER AIRGUNS | High-Capacity Air System (250 Bar / 3600 PSI / 250 cc), Precision-Rifled Barrel, (4.5 / 5.5 / 6.35 mm)

| CALIBER | SHOT CAPACITY | MAGAZINE CAPACITY | VELOCITY | STOCK | BARREL LENGTH | LENGTH OF PULL | TOTAL LENGTH | AVERAGE WEIGHT |
|--|--------------------|-------------------|---------------------|----------|---------------|-----------------|----------------|---------------------|
| IMPERIUM Built with a Precision-Rifled Barrel and a Lightweight Aluminum Receiver | | | | | | | | |
| 4.5 mm / .177 cal | 4.5 mm / 98 Shots | 4.5 mm / 14 Pcs | 950 fps / 21 Joules | Aluminum | 20,8" / 53 cm | 13,7" / 34,8 cm | 45,3" / 115 cm | 3,20 kg / 112,8 oz. |
| 5.5 mm / .22 cal | 5.5 mm / 84 Shots | 5.5 mm / 12 Pcs | 900 fps / 44 Joules | Aluminum | 20,8" / 53 cm | 13,7" / 34,8 cm | 45,3" / 115 cm | 3,20 kg / 112,8 oz. |
| 6.35 mm / .25 cal. | 6.35 mm / 70 Shots | 6.35 mm / 10 Pcs | 820 fps / 52 Joules | Aluminum | 20,8" / 53 cm | 13,7" / 34,8 cm | 45,3" / 115 cm | 3,20 kg / 112,8 oz. |

DETAILS

- Side lever action, pre-charged pneumatic (PCP) air rifle.
- Available in .177 (4.5mm), .22 (5.5mm) and .25 (6.35mm) caliber.
- 250 Bar 250 cc volume aluminum air tank
- Up to 350 shots with two air tanks (500cc+500cc) in cal .177 // 300 shots in cal .22 // 250 shots in cal .25 (From 250 bar to 100 bar)
- Full Shrouded barrel.
- 1/2" UNF threaded muzzle for additional detachable sound moderators.
- Detachable 14-shot magazine in .177 (4.5mm), 12-shot magazine in .22 (5.5mm) and 10-shot magazine in .25 (6.35mm).
- The 11-22 mm PICATINNY RAIL system is in accordance with the MILSPEC standards. Scope or various accessories can easily be mounted and customized.
- Adjustable trigger pull weight.
- Kral-built choked, rifled barrel.
- Adjustable trigger shoe in four directions; right, left, up and down.
- Manual trigger safety.
- Available in aluminum receiver stock.
- * Velocity results may vary as much as 20% due to pellet weight, pellet shape, temperature, elevation, as well as other factors.
- *Maximum velocity can verify as per regional requests.
- Scope is optional
- * Below power results are tested with (Cal .177 - 8.44 grain // 18,13 grain // .25 -25,39 grain)

REGULATED

WITH 480cc CARBON FIBER AIR TANK



SIDE WIND SYSTEM | ADJUSTABLE RUBBER | ADJ CHEEK REST | 22MM MILSPEC PICATINNY | SHROUDED BARREL

PCP PUNCHER AIRGUNS | High-Capacity Air System (200 Bar / 3600 PSI / 500 cc), Precision-Rifled Barrel, (4.5 / 5.5 / 6.35 mm)

| CALIBER | SHOT CAPACITY | MAGAZINE CAPACITY | VELOCITY | STOCK | BARREL LENGTH | LENGTH OF PULL | TOTAL LENGTH | AVERAGE WEIGHT |
|---|--------------------|-------------------|----------------------|-----------|---------------|------------------|----------------|---------------------|
| SHADOW Built with a Precision-Rifled Barrel and Very-Effective PCP System. | | | | | | | | |
| 4.5 mm / .177 cal | 4.5 mm / 126 Shots | 4.5 mm / 14 Pcs | 1000 fps / 23 Joules | Synthetic | 20,8" / 53 cm | 14,33" / 36,5 cm | 39,7" / 101 cm | 3,50 kg / 123,4 oz. |
| 5.5 mm / .22 cal | 5.5 mm / 108 Shots | 5.5 mm / 12 Pcs | 900 fps / 42 Joules | Synthetic | 20,8" / 53 cm | 14,33" / 36,5 cm | 39,7" / 101 cm | 3,50 kg / 123,4 oz. |
| 6.35 mm / .25 cal. | 6.35 mm / 90 Shots | 6.35 mm / 10 Pcs | 850 fps / 49 Joules | Synthetic | 20,8" / 53 cm | 14,33" / 36,5 cm | 39,7" / 101 cm | 3,50 kg / 123,4 oz. |

NISH
PCP PUNCHER AIRGUNS



NISH - S
PCP PUNCHER AIRGUN



NISH - W
PCP PUNCHER AIRGUN

REBORN
PCP PUNCHER AIRGUNS



REBORN
PCP PUNCHER AIRGUN

ARROW LAUNCHER

WITH SPARE KIT IN BOX - YOU CAN USE PUNCHER REBORN BOTH AS AN AIRGUN OR ARROW LAUNCHER

DETAILS

- Side lever action, pre-charged pneumatic (PCP) air rifle.
- Available in .177 (4.5mm), .22 (5.5mm) and .25 (6.35mm) caliber.
- 200 Bar 280 cc volume aluminum air tank..
- With 200 cc air tank – Shooting capacity from 200 bar to 50 bar up to 84 shots in cal .177 // 60 shots in cal .22 // 50 shots in cal .25
- 1/2" UNF threaded muzzle for additional detachable sound moderators.
- Detachable 14-shot magazine in .177 (4.5mm), 12-shot magazine in .22 (5.5mm) and 10-shot magazine in .25 (6.35mm).
- The 11-22 mm PICATINNY RAIL system is in accordance with the MILSPEC standards. Scope or various accessories can easily be mounted and customized.
- Adjustable trigger pull weight.
- Manual trigger safety.
- Kral-built choked, rifled barrel
- Available in HQ black synthetic & Turkish Walnut stock.
- * Velocity results may vary as much as 20% due to pellet weight, pellet shape, temperature, elevation, as well as other factors.
- *Maximum velocity can verify as per regional requests.
- Scope is optional
- * Below power results are tested with (Cal .177 - 8.44 grain // 18,13 grain // .25 -25,39 grain)



PCP PUNCHER AIRGUNS | High-Capacity Air System (250 Bar / 3600 PSI / 280 cc), Precision-Rifled Barrel, (4.5 / 5.5 / 6.35 mm)

| CALIBER | SHOT CAPACITY | MAGAZINE CAPACITY | VELOCITY | STOCK | BARREL LENGTH | LENGTH OF PULL | TOTAL LENGTH | AVERAGE WEIGHT |
|--|--------------------|-------------------|----------------------|----------------|---------------|-----------------|----------------|---------------------|
| NISH Built with a Precision-Rifled Barrel and a Lightweight Aluminum Receiver | | | | | | | | |
| 4.5 mm / .177 cal | 4.5 mm / 98 Shots | 4.5 mm / 14 Pcs | 1000 fps / 30 Joules | Synthetic | 20,8" / 53 cm | 14,3" / 36,5 cm | 39,3" / 100 cm | 3,30 kg / 116,4 oz. |
| 5.5 mm / .22 cal | 5.5 mm / 84 Shots | 5.5 mm / 12 Pcs | 880 fps / 44 Joules | Synthetic | 20,8" / 53 cm | 14,3" / 36,5 cm | 39,3" / 100 cm | 3,30 kg / 116,4 oz. |
| 6.35 mm / .25 cal | 6.35 mm / 70 Shots | 6.35 mm / 10 Pcs | 800 fps / 52 Joules | Synthetic | 20,8" / 53 cm | 14,3" / 36,5 cm | 39,3" / 100 cm | 3,30 kg / 116,4 oz. |
| 4.5 mm / .177 cal | 4.5 mm / 98 Shots | 4.5 mm / 14 Pcs | 1000 fps / 30 Joules | Turkish Walnut | 20,8" / 53 cm | 14,3" / 36,5 cm | 39,3" / 100 cm | 3,40 kg / 120 oz. |
| 5.5 mm / .22 cal | 5.5 mm / 84 Shots | 5.5 mm / 12 Pcs | 880 fps / 44 Joules | Turkish Walnut | 20,8" / 53 cm | 14,3" / 36,5 cm | 39,3" / 100 cm | 3,40 kg / 120 oz. |
| 6.35 mm / .25 cal | 6.35 mm / 70 Shots | 6.35 mm / 10 Pcs | 800 fps / 52 Joules | Turkish Walnut | 20,8" / 53 cm | 14,3" / 36,5 cm | 39,3" / 100 cm | 3,40 kg / 120 oz. |

DETAILS

- Side lever action, & Arrow Launcher pre-charged pneumatic (PCP) air rifle.
- Available in .177 (4.5mm), .22 (5.5mm) and .25 (6.35mm) caliber.
- 200 Bar 330 cc volume aluminum air tank..
- 1/2" UNF threaded muzzle for additional detachable sound moderators.
- Detachable 14-shot magazine in .177 (4.5mm), 12-shot magazine in .22 (5.5mm) and 10-shot magazine in .25 (6.35mm).
- The airgun is designed to fire 20 long arrows with an inner diameter of 0.300-0.305 (7.62-7.75mm)
- The 22 mm PICATINNY RAIL system is in accordance with the MILSPEC standards. Scope or various accessories can easily be mounted and customized.
- Adjustable trigger pull weight.
- Adjustable trigger shoe in four directions; right, left, up and down.
- Manual trigger safety.
- Kral-built choked, rifled barrel
- Available in High Quality Turkish Walnut stock.
- * Velocity results may vary as much as 20% due to pellet weight, pellet shape, temperature, elevation, as well as other factors.
- *Maximum velocity can verify as per regional requests.
- * Below power results are tested with (Cal .177 - 8.44 grain // 18,13 grain // .25 -25,39 grain)



PCP PUNCHER AIRGUNS | High-Capacity Air System (200 Bar / 3600 PSI / 300 cc), Precision-Rifled Barrel, (4.5 / 5.5 / 6.35 mm)

| CALIBER | SHOT CAPACITY | MAGAZINE CAPACITY | VELOCITY | STOCK | BARREL LENGTH | LENGTH OF PULL | TOTAL LENGTH | AVERAGE WEIGHT |
|---|--------------------|-------------------|----------------------|----------------|---------------|------------------|----------------|-------------------|
| REBORN Built with a Precision-Rifled Barrel and Very-Effective PCP System. | | | | | | | | |
| 4.5 mm / .177 cal | 4.5 mm / 98 Shots | 4.5 mm / 14 Pcs | 1000 fps / 21 Joules | Turkish Walnut | 21,6" / 55 cm | 14,33" / 36,5 cm | 41,3" / 105 cm | 3,60 kg / 127 oz. |
| 5.5 mm / .22 cal | 5.5 mm / 84 Shots | 5.5 mm / 12 Pcs | 900 fps / 44 Joules | Turkish Walnut | 21,6" / 55 cm | 14,33" / 36,5 cm | 41,3" / 105 cm | 3,60 kg / 127 oz. |
| 6.35 mm / .25 cal | 6.35 mm / 70 Shots | 6.35 mm / 10 Pcs | 850 fps / 52 Joules | Turkish Walnut | 21,6" / 55 cm | 14,33" / 36,5 cm | 41,3" / 105 cm | 3,60 kg / 127 oz. |

UNICA
PCP PUNCHER AIRGUNS



UNICA
PCP PUNCHER AIRGUN

SUPER DUTY
PCP PUNCHER AIRGUNS



SUPER DUTY
PCP PUNCHER AIRGUN

DETAILS

- Side lever action, pre-charged pneumatic (PCP) air rifle.
- Available in .177 (4.5mm), .22 (5.5mm) and .25 (6.35mm) caliber.
- 200 Bar 330 cc volume aluminum air tank.
- 1/2" UNF threaded muzzle for additional detachable sound moderators.
- Detachable 14-shot magazine in .177 (4.5mm), 12-shot magazine in .22 (5.5mm) and 10-shot magazine in .25 (6.35mm)
- The 11x22 mm PICATINNY RAIL system is in accordance with the MILSPEC standards. Scope, bipod or various accessories can easily be mounted and customized.
- Adjustable trigger pull weight.
- Manual trigger safety.
- Kral-built choked rifled barrel
- Adjustable trigger pull weight.
- Adjustable trigger shoe in four directions; right, left, up and down.
- Manual trigger safety.
- Kral-built choked, rifled barrel
- Available in High Quality Turkish Walnut stock.
- * Velocity results may vary as much as 20% due to pellet weight, pellet shape, temperature, elevation, as well as other factors.

REGULATED



PCP PUNCHER AIRGUNS | High-Capacity Air System (200 Bar / 3000 PSI / 330 cc), Precision-Rifled Barrel, (4.5 / 5.5 / 6.35 mm)

| CALIBER | SHOT CAPACITY | MAGAZINE CAPACITY | VELOCITY | STOCK | BARREL LENGTH | LENGTH OF PULL | TOTAL LENGTH | AVERAGE WEIGHT |
|--|--------------------|-------------------|---------------------|----------------|---------------|------------------|----------------|---------------------|
| UNICA Built with a Precision-Rifled Barrel and Very-Effective PCP System. | | | | | | | | |
| 4.5 mm / .177 cal | 4.5 mm / 84 Shots | 4.5 mm / 14 Pcs | 980 fps / 24 Joules | Turkish Walnut | 21,6" / 55 cm | 14,33" / 36,5 cm | 41,3" / 105 cm | 4,20 kg / 148,1 oz. |
| 5.5 mm / .22 cal | 5.5 mm / 60 Shots | 5.5 mm / 12 Pcs | 830 fps / 38 Joules | Turkish Walnut | 21,6" / 55 cm | 14,33" / 36,5 cm | 41,3" / 105 cm | 3,60 kg / 148,1 oz. |
| 6.35 mm / .25 cal. | 6.35 mm / 50 Shots | 6.35 mm / 10 Pcs | 780 fps / 47 Joules | Turkish Walnut | 21,6" / 55 cm | 14,33" / 36,5 cm | 41,3" / 105 cm | 3,60 kg / 148,1 oz. |

DETAILS

- Side lever action, pre-charged pneumatic (PCP) air rifle.
- Available in .177 (4.5mm), .22 (5.5mm) and .25 (6.35mm) caliber.
- 1425 cc volume aluminum air tank..
- Up to 850 shots with three air tanks (500cc+500cc+425cc) in cal .177 // 500 shots in cal .22 // 350 shots in cal .25 (From 250 bar to 100 bar)
- Externally adjustable power.
- 1/2" UNF threaded muzzle for additional detachable sound moderators.
- Detachable 14-shot magazine in .177 (4.5mm), 12-shot magazine in .22 (5.5mm) and 10-shot magazine in .25 (6.35mm).
- Adjustable five stage (up&down) and two cm moveable (back&front) soft buttpad.
- The 22 mm PICATINNY RAIL system is in accordance with the MILSPEC standards. Scope or various accessories can easily be mounted and customized.
- Adjustable trigger pull weight.
- Adjustable trigger shoe in four directions; right, left, up and down.
- Manual trigger safety.
- Kral-built choked, rifled barrel
- Available in High Quality black synthetic stock.
- * Velocity results may vary as much as 20% due to pellet weight, pellet shape, temperature, elevation, as well as other factors.
- *Maximum velocity can verify as per regional requests.
- * Below power results are tested with (Cal .177 - 8.44 grain // 18,13 grain // .25 - 25,39 grain)



PCP PUNCHER AIRGUNS | High-Capacity Air System (250 Bar / 3600 PSI / 1425 cc), Precision-Rifled Barrel, (4.5 / 5.5 / 6.35 mm)

| CALIBER | SHOT CAPACITY | MAGAZINE CAPACITY | VELOCITY | STOCK | BARREL LENGTH | LENGTH OF PULL | TOTAL LENGTH | AVERAGE WEIGHT |
|---|---------------------|-------------------|----------------------|-----------|---------------|----------------|----------------|---------------------|
| SUPER DUTY Built with a Precision-Rifled Barrel and Very-Effective PCP System. | | | | | | | | |
| 4.5 mm / .177 cal | 4.5 mm / 1000 Shots | 4.5 mm / 14 Pcs | 1100 fps / 30 Joules | Synthetic | 22,8" / 58 cm | 15,7" / 40 cm | 41,3" / 105 cm | 5,10 kg / 179,9 oz. |
| 5.5 mm / .22 cal | 5.5 mm / 900 Shots | 5.5 mm / 12 Pcs | 900 fps / 44 Joules | Synthetic | 22,8" / 58 cm | 15,7" / 40 cm | 41,3" / 105 cm | 5,10 kg / 179,9 oz. |
| 6.35 mm / .25 cal. | 6.35 mm / 850 Shots | 6.35 mm / 10 Pcs | 850 fps / 60 Joules | Synthetic | 22,8" / 58 cm | 15,7" / 40 cm | 41,3" / 105 cm | 5,10 kg / 179,9 oz. |

JUMBO DAZZLE
PCP PUNCHER AIRGUNS



TACTICAL FOLDABLE STOCK

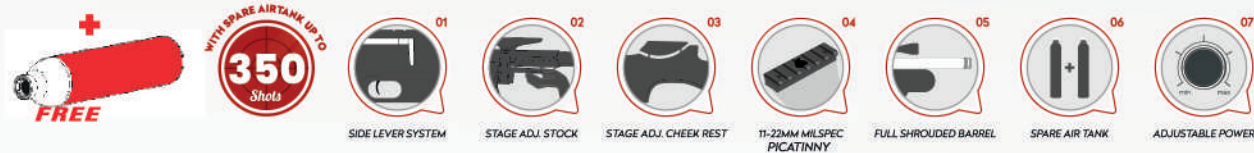
1100 FPS

JUMBO DAZZLE - S
PCP PUNCHER AIRGUN

JUMBO DAZZLE - C
PCP PUNCHER AIRGUN

DETAILS

- Side lever action, pre-charged pneumatic (PCP) air rifle.
- Available in .177 (4.5mm), .22 (5.5mm) and .25 (6.35mm) caliber.
- 500cc volume detachable aluminum air tank. Another 500cc volume spare aluminum air tank is in box content.
- Up to 350 shots with two air tanks (500cc+500cc) in cal .177 // 300 shots in cal .22 // 250 shots in cal .25 (From 250 bar to 100 bar)
- Externally adjustable power.
- 1/2" UNF threaded muzzle for additional detachable sound moderators.
- Detachable 14-shot magazine in .177 (4.5mm), 12-shot magazine in .22 (5.5mm) and 10-shot magazine in .25 (6.35mm).
- Adjustable six stage cheek rest and soft rubber butt pad.
- The 11-22 mm PICATINNY RAIL system is in accordance with the MILSPEC standards. Scope or various accessories can easily be mounted and customized.
- Tactical five stage adjustable telescopic folding stock and soft rubber AR 15 pistol grip.
- Adjustable trigger pull weight.
- Adjustable trigger shoe in four directions; right, left, up and down.
- Manual trigger safety.
- Available in black or camouflage stock options.
- * Velocity results may vary as much as 20% due to pellet weight, pellet shape, temperature, elevation, as well as other factors.
- *Maximum velocity can verify as per regional requests.
- Scope is optional
- * Below power results are tested with (Cal .177 - 8.44 grain // 18,13 grain // .25 -25,39 grain)



PCP PUNCHER AIRGUNS | High-Capacity Air System (250 Bar / 3600 PSI / 500 cc), Precision-Rifled Barrel, (4.5 / 5.5 / 6.35 mm)

| CALIBER | SHOT CAPACITY | MAGAZINE CAPACITY | VELOCITY | STOCK | BARREL LENGTH | LENGTH OF PULL | TOTAL LENGTH | AVERAGE WEIGHT |
|---|---------------------|-------------------|----------------------|-----------|---------------|----------------|---------------|-------------------|
| SHADOW Built with a Precision-Rifled Barrel and Very-Effective PCP System. | | | | | | | | |
| 4.5 mm / .177 cal | 4.5 mm / 168 Shots | 4.5 mm / 14 Pcs | 1100 fps / 30 Joules | Synthetic | 22.8" / 58 cm | 13.7" / 16.7" | 40.2" / 43.3" | 3,40 kg / 120 oz. |
| 5.5 mm / .22 cal | 5.5 mm / 144 Shots | 5.5 mm / 12 Pcs | 900 fps / 44 Joules | Synthetic | 22.8" / 58 cm | 13.7" / 16.7" | 40.2" / 43.3" | 3,40 kg / 120 oz. |
| 6.35 mm / .25 cal | 6.35 mm / 120 Shots | 6.35 mm / 10 Pcs | 820 fps / 52 Joules | Synthetic | 22.8" / 58 cm | 13.7" / 16.7" | 40.2" / 43.3" | 3,40 kg / 120 oz. |

BIGMAX X
PCP PUNCHER AIRGUNS



1100 FPS

BIGMAX XC
PCP PUNCHER AIRGUN

BIGMAX X
PCP PUNCHER AIRGUN

BIG BORE
PCP AIRGUN

DETAILS

- Side lever action, pre-charged pneumatic (PCP) air rifle.
- Available in .177 (4.5mm), .22 (5.5mm) and .25 (6.35mm) caliber.
- 250 Bar 925 cc volume aluminum air tank.
- Up to 120 shots with two air tanks (500cc+425cc) in cal .177 // 100 shots in cal .22 // 70 shots in cal .25 // 70 shots in cal .30 (From 250 bar to 100 bar)
- 1/2" UNF threaded muzzle for additional detachable sound moderators.
- Detachable 14-shot magazine in .177 (4.5mm), 12-shot magazine in .22 (5.5mm) and 10-shot magazine in .25 (6.35mm) and 9-shot magazine in .30 (7.62mm).
- Adjustable five stage (up&down) and two cm moveable (back&front) soft butt pad.
- The 22 mm PICATINNY RAIL system is in accordance with the MILSPEC standards. Scope or various accessories can easily be mounted and customized.
- Adjustable trigger pull weight.
- Adjustable trigger shoe in four directions; right, left, up and down.
- Manual trigger safety.
- Kral-built choked, rifled barrel
- Available in black synthetic & carbon camouflaged stock.
- * Velocity results may vary as much as 20% due to pellet weight, pellet shape, temperature, elevation, as well as other factors.
- *Maximum velocity can verify as per regional requests.
- Scope is optional
- * Below power results are tested with (Cal .177 - 8.44 grain / 18,13 grain // .25 -25,39 grain)



PCP PUNCHER AIRGUNS | High-Capacity Air System (250 Bar / 3625 PSI / 925 cc), Precision-Rifled Barrel, (4.5 / 5.5 / 6.35 mm)

| CALIBER | SHOT CAPACITY | MAGAZINE CAPACITY | VELOCITY | STOCK | BARREL LENGTH | LENGTH OF PULL | TOTAL LENGTH | AVERAGE WEIGHT |
|---|---------------------|-------------------|----------------------|-----------|---------------|-----------------|----------------|-------------------|
| BIGMAX X Built with a Precision-Rifled Barrel and Very-Effective PCP System. | | | | | | | | |
| 4.5 mm / .177 cal | 4.5 mm / 1000 Shots | 4.5 mm / 14 Pcs | 1200 fps / 30 Joules | Synthetic | 22.8" / 58 cm | 15.7" / 40 cm | 41.3" / 105 cm | 3,40 kg / 120 oz. |
| 5.5 mm / .22 cal | 5.5 mm / 900 Shots | 5.5 mm / 12 Pcs | 1100 fps / 44 Joules | Synthetic | 22.8" / 58 cm | 15.7" / 40 cm | 41.3" / 105 cm | 3,40 kg / 120 oz. |
| 6.35 mm / .25 cal | 6.35 mm / 850 Shots | 6.35 mm / 10 Pcs | 1000 fps / 60 Joules | Synthetic | 22.8" / 58 cm | 15.7" / 40 cm | 41.3" / 105 cm | 3,40 kg / 120 oz. |
| 7.62 mm / .25 cal | 7.62 mm / 50 Shots | 7.62 mm / 9 Pcs | 900 fps / 110 Joules | Synthetic | 22.8" / 58 cm | 14.3" / 36.5 cm | 41.3" / 105 cm | 3,40 kg / 120 oz. |
| 9 mm / .35 cal | 9 mm / 50 Shots | 9 mm / 7 Pcs | 880 fps / 191 Joules | Synthetic | 22.8" / 58 cm | 14.3" / 36.5 cm | 41.3" / 105 cm | 3,40 kg / 120 oz. |

EMPIRE SERIES
PCP PUNCHER AIRGUNS

EMPIRE SERIES
PCP PUNCHER AIRGUNS



EMPIRE X
PCP PUNCHER AIRGUN



EMPIRE XS
PCP PUNCHER AIRGUN



EMPIRE X CERAKOTED/BG
PCP PUNCHER AIRGUN



EMPIRE X SYNTHETIC
PCP PUNCHER AIRGUN



EMPIRE
PCP PUNCHER AIRGUN



EMPIRE CERAKOTED/BG
PCP PUNCHER AIRGUN



EMPIRE - S
PCP PUNCHER AIRGUN



SIDE LEVER SYSTEM



ADJ. BUTTPAD



22MM MILSPEC
PICATINNY



FULL SHROUDED BARREL



ADJUSTABLE STOCK



RIGHT & LEFT CHANGEABLE
COCKING LEVER

DETAILS

- Side lever action, pre-charged pneumatic (PCP) air rifle.
- Available in .177 (4.5mm), .22 (5.5mm) and .25 (6.35mm) caliber.
- 1/2" UNF threaded muzzle for additional detachable sound moderators.
- Detachable 14-shot magazine in .177 (4.5mm), 12-shot magazine in .22 (5.5mm) and 10-shot magazine in .25 (6.35mm).
- Adjustable five stage (up&down) and two cm moveable (backfront) soft buttpad.
- Ergonomic Safety (Easy to use)
- The 22 mm PICATINNY RAIL system is in accordance with the MILSPEC standards. Scope or various accessories can easily be mounted and customized.
- Adjustable trigger pull weight.
- Adjustable trigger shoe in four directions; right, left, up and down.
- Manual trigger safety.
- Kral-built choked, rifled barrel
- Available in Turkish Walnut & High Quality Synthetic stock.
- Right - Left Changeable Cocking Lever
- * Velocity results may vary as much as 20% due to pellet weight, pellet shape, temperature, elevation, as well as other factors.
- *Maximum velocity can verify as per regional requests.
- Stage rear & forward moveable cheek rest.
- Scope is Optional
- * Below power results are tested with (Cal.177 - 8.44 grain // 18,13 grain // .25 -25,39 grain)

PCP PUNCHER AIRGUNS | High-Capacity Air System, Precision-Rifled Barrel, (4.5 / 5.5 / 6.35 mm)

| CALIBER | SHOT CAPACITY | MAGAZINE CAPACITY | VELOCITY | STOCK | BARREL LENGTH | LENGTH OF PULL | TOTAL LENGTH | AVERAGE WEIGHT |
|--|---------------------|-------------------|----------------------|---------------|---------------|-----------------|---------------|---------------------|
| EMPIRE Built with a Precision-Rifled Barrel and Very-Effective PCP System. (200 Bar 3000 Psi 330 cc) | | | | | | | | |
| 4.5 mm / .177 cal | 4.5 mm / 70 Shots | 4.5 mm / 14 Pcs | 1000 fps / 21 Joules | Synt. / Waln. | 18,9" / 48 cm | 14,3" / 36,5 cm | 29,9" / 76 cm | 3,60 kg / 127 oz. |
| 5.5 mm / .22 cal | 5.5 mm / 60 Shots | 5.5 mm / 12 Pcs | 900 fps / 44 Joules | Synt. / Waln. | 18,9" / 48 cm | 14,3" / 36,5 cm | 29,9" / 76 cm | 3,60 kg / 127 oz. |
| 6.35 mm / .25 cal. | 6.35 mm / 50 Shots | 6.35 mm / 10 Pcs | 820 fps / 52 Joules | Synt. / Waln. | 18,9" / 48 cm | 14,3" / 36,5 cm | 29,9" / 76 cm | 3,60 kg / 127 oz. |
| EMPIRE X Built with a Precision-Rifled Barrel and Very-Effective PCP System. (200 Bar 3000 Psi 600 cc) | | | | | | | | |
| 4.5 mm / .177 cal | 4.5 mm / 168 Shots | 4.5 mm / 14 Pcs | 1000 fps / 21 Joules | Synt. / Waln. | 18,9" / 48 cm | 14,3" / 36,5 cm | 29,9" / 76 cm | 3,90 kg / 137,5 oz. |
| 5.5 mm / .22 cal | 5.5 mm / 144 Shots | 5.5 mm / 12 Pcs | 900 fps / 44 Joules | Synt. / Waln. | 18,9" / 48 cm | 14,3" / 36,5 cm | 29,9" / 76 cm | 3,90 kg / 137,5 oz. |
| 6.35 mm / .25 cal. | 6.35 mm / 120 Shots | 6.35 mm / 10 Pcs | 820 fps / 52 Joules | Synt. / Waln. | 18,9" / 48 cm | 14,3" / 36,5 cm | 29,9" / 76 cm | 3,90 kg / 137,5 oz. |
| EMPIRE XS Built with a Precision-Rifled Barrel and Very-Effective PCP System. (200 Bar 3000 Psi 200 cc) | | | | | | | | |
| 4.5 mm / .177 cal | 4.5 mm / 56 Shots | 4.5 mm / 14 Pcs | 900 fps / 19 Joules | Synt. / Waln. | 13,0" / 33 cm | 15,7" / 40 cm | 24,0" / 61 cm | 3,20 kg / 118,8 oz. |
| 5.5 mm / .22 cal | 5.5 mm / 48 Shots | 5.5 mm / 12 Pcs | 880 fps / 31 Joules | Synt. / Waln. | 13,0" / 33 cm | 15,7" / 40 cm | 24,0" / 61 cm | 3,20 kg / 118,8 oz. |
| 6.35 mm / .25 cal. | 6.35 mm / 40 Shots | 6.35 mm / 10 Pcs | 800 fps / 36 Joules | Synt. / Waln. | 13,0" / 33 cm | 15,7" / 40 cm | 24,0" / 61 cm | 3,20 kg / 118,8 oz. |

PCP PUNCHER AIRGUNS

MAGESTIC

BIG BORE

PCP AIRGUN



SPECIFICATIONS

CALIBER

11.60 mm / .45 cal

AIR CAPACITY

250 Bar/3800 Psi
580cc

TOTAL LENGTH

47.6" / 121 cm

BARREL LENGTH

27.5" / 70 cm

AVERAGE WEIGHT

4.2 kg / 9.25 Lbs

STOCK

HQ Turkish Walnut

LENGTH OF PULL

13.7" / 35 cm

VELOCITY

800 fps / 545 Joules

 **KRAL AIRGUNS**
Superior Performance



.45 CAL



CARBONFIBER AIRTANK

Carbonfiber Airtank is Optional

BIGHORN
PCP PUNCHER AIRGUNS

1200 FPS



BIGHORN
PCP PUNCHER AIRGUN

BIG BORE
PCP AIRGUN

Choose Your Caliber, Elevate Your Accuracy

MONARCH
PCP PUNCHER AIRGUNS



1000 FPS



MONARCH
PCP PUNCHER AIRGUN



DETAILS

- Side lever action, pre-charged pneumatic (PCP) air rifle.
- Available in .22(5.5mm) .25 (6.35mm), .30 (7.62mm) and .35 (9mm) caliber.
- 250 Bar 500 cc volume aluminum air tank.
- Up to 60 shots in cal .22 // 50 shots in cal .25 // 40 shots in cal .30 // 50 shots in cal .35 (From 250 bar to 100 bar)
- 1/2" UNF threaded muzzle for additional detachable sound moderators.
- Detachable 10-shot magazine in .25 (6.35mm) , 9-shot magazine in .30 (7.62mm) 7 shot magazine in cal .35(9mm).
- Adjustable five stage (up&down) and two cm moveable (back&front) soft buttpad.
- The 22 mm PICATINNY RAIL system is in accordance with the MILSPEC standards. Scope or various accessories can easily be mounted and customized.
- Adjustable trigger pull weight.
- Adjustable trigger shoe in four directions; right, left, up and down.
- Available in high quality Turkish Walnut stock.
- * Velocity results may vary as much as 20% due to pellet weight, pellet shape, temperature, elevation, as well as other factors.
- *Maximum velocity can verify as per regional requests.
- Scope is optional * Below power results are tested with (Cal .22-1.175 grain // 18,13 grain // .25 -25,39 grain)



PCP PUNCHER AIRGUNS | High-Capacity Air System (250 Bar / 3600 PSI / 500 cc) Calibre Options (4.5 / 5.5 / 6.35 mm / 9 mm)

| CALIBER | SHOT CAPACITY | MAGAZINE CAPACITY | VELOCITY | STOCK | BARREL LENGTH | LENGTH OF PULL | TOTAL LENGTH | AVERAGE WEIGHT |
|--|--------------------|-------------------|----------------------|--------|---------------|-----------------|----------------|-------------------|
| BIGHORN Built with a Precision-Rifled Barrel and Very-Effective PCP System. | | | | | | | | |
| 5.5 mm / .22 cal. | 5.5 mm / 60 Shots | 5.5 mm / 12 Pcs | 1200 fps / 80 Joules | Walnut | 22,8" / 58 cm | 14,3" / 36,5 cm | 41,3" / 105 cm | 3,70 kg / 130 oz. |
| 6.35 mm / .25 cal. | 6.35 mm / 50 Shots | 6.35 mm / 10 Pcs | 1100 fps / 92 Joules | Walnut | 22,8" / 58 cm | 14,3" / 36,5 cm | 41,3" / 105 cm | 3,70 kg / 130 oz. |
| 7.62 mm / .25 cal. | 7.62 mm / 50 Shots | 7.62 mm / 9 Pcs | 950 fps / 110 Joules | Walnut | 22,8" / 58 cm | 14,3" / 36,5 cm | 41,3" / 105 cm | 3,70 kg / 130 oz. |
| 9 mm / .35 cal. | 9 mm / 50 Shots | 9 mm / 7 Pcs | 800 fps / 191 Joules | Walnut | 22,8" / 58 cm | 14,3" / 36,5 cm | 41,3" / 105 cm | 3,70 kg / 130 oz. |

DETAILS

- Side lever action, pre-charged pneumatic (PCP) air rifle.
- Available in .177 (4.5mm), .22 (5.5mm) and .25 (6.35mm) caliber.
- 200 Bar 330 cc volume aluminum air tank.
- Adjustable five stage (up&down) and two cm moveable (back&front) soft buttpad.
- Adjustable cheek piece.
- Full Shrouded barrel.
- 1/2" UNF threaded muzzle for additional detachable sound moderators.
- Detachable 14-shot magazine in .177 (4.5mm), 12-shot magazine in .22 (5.5mm) and 10-shot magazine in .25 (6.35mm)
- The 22 mm PICATINNY RAIL system is in accordance with the MIL SPEC standards. Scope or various accessories can easily be mounted and customized.
- Adjustable trigger pull weight.
- Adjustable trigger shoe in four directions; right, left, up and down.
- Manual trigger safety.
- Kral-built choked, rifled barrel
- Available in High Quality Turkish Walnut stock.
- * Velocity results may vary as much as 20% due to pellet weight, pellet shape, temperature, elevation, as well as other factors.
- *Maximum velocity can verify as per regional requests.
- * Below power results are tested with (Cal .177 - 8.44 grain // 18,13 grain // .25 -25,39 grain)



PCP PUNCHER AIRGUNS | High-Capacity Air System (200 Bar / 3000 PSI / 330 cc), Precision-Rifled Barrel, (4.5 / 5.5 / 6.35 mm)

| CALIBER | SHOT CAPACITY | MAGAZINE CAPACITY | VELOCITY | STOCK | BARREL LENGTH | LENGTH OF PULL | TOTAL LENGTH | AVERAGE WEIGHT |
|--|--------------------|-------------------|----------------------|--------|---------------|-----------------|-----------------|-------------------|
| MONARCH Built with a Precision-Rifled Barrel and Very-Effective PCP System. | | | | | | | | |
| 4.5 mm / .177 cal | 4.5 mm / 84 Shots | 4.5 mm / 14 Pcs | 1000 fps / 21 Joules | Walnut | 22,8" / 58 cm | 14,3" / 36,5 cm | 36,4" / 92,5 cm | 4,20 kg / 148 oz. |
| 5.5 mm / .22 cal | 5.5 mm / 72 Shots | 5.5 mm / 12 Pcs | 900 fps / 44 Joules | Walnut | 22,8" / 58 cm | 14,3" / 36,5 cm | 36,4" / 92,5 cm | 4,20 kg / 148 oz. |
| 6.35 mm / .25 cal. | 6.35 mm / 60 Shots | 6.35 mm / 10 Pcs | 820 fps / 52 Joules | Walnut | 22,8" / 58 cm | 14,3" / 36,5 cm | 36,4" / 92,5 cm | 4,20 kg / 148 oz. |

NP-500
PCP PUNCHER AIRGUNS



900 FPS

NP-500 BLACK
PCP PUNCHER AIRGUN



NP-500 CERAKOTED/BG
PCP PUNCHER AIRGUN

DETAILS

- Side lever action, pre-charged pneumatic (PCP) air rifle.
- Available in .177 (4.5mm), .22 (5.5mm) and .25 (6.35mm) caliber.
- 250 Bar 500 cc volume aluminum air tank.
- Full Shrouded barrel.
- 1/2" UNF threaded muzzle for additional detachable sound moderators.
- Detachable 14-shot magazine in .177 (4.5mm), 12-shot magazine in .22 (5.5mm) and 10-shot magazine in .25 (6.35mm)
- The 11-22 mm PICATINNY RAIL system is in accordance with the MIL SPEC standards. Scope or various accessories can easily be mounted and customized.
- Adjustable trigger pull weight.
- Adjustable trigger shoe in four directions; right, left, up and down.
- Manual trigger safety.
- Kral-built choked, rifled barrel
- Available in High Quality Synthetic stock.
- Scope is optional
- * Velocity results may vary as much as 20% due to pellet weight, pellet shape, temperature, elevation, as well as other factors.
- *Maximum velocity can verify as per regional requests.
- For Synthetic Stock :
- Adjustable five stage (up&down) and two cm moveable (back&front) soft buttpad.
- Adjustable cheek piece.
- * Below power results are tested with (Cal.177 - 8.44 grain // 18,13 grain // .25 -25,39 grain)



11-22MM MILSPEC PICATINNY



FULL SHROUDED BARREL



SIDE LEVER SYSTEM



ADJUSTABLE POWER

PCP PUNCHER AIRGUNS | High-Capacity Air System (200 Bar / 3600 PSI / 500 cc), Precision-Rifled Barrel, (4.5 / 5.5 / 6.35 mm)

| CALIBER | SHOT CAPACITY | MAGAZINE CAPACITY | VELOCITY | STOCK | BARREL LENGTH | LENGTH OF PULL | TOTAL LENGTH | AVERAGE WEIGHT |
|---|---------------------|-------------------|---------------------|-----------|---------------|-----------------|---------------|---------------------|
| NP-500 Built with a Precision-Rifled Barrel and Very-Effective PCP System. | | | | | | | | |
| 4.5 mm / .177 cal | 4.5 mm / 168 Shots | 4.5 mm / 14 Pcs | 950 fps / 21 Joules | Synthetic | 16" / 40,7 cm | 14.3" / 36,5 cm | 30.3" / 77 cm | 3,30 kg / 116,4 oz. |
| 5.5 mm / .22 cal | 5.5 mm / 144 Shots | 5.5 mm / 12 Pcs | 880 fps / 44 Joules | Synthetic | 16" / 40,7 cm | 14.3" / 36,5 cm | 30.3" / 77 cm | 3,30 kg / 116,4 oz. |
| 6.35 mm / .25 cal. | 6.35 mm / 122 Shots | 6.35 mm / 10 Pcs | 820 fps / 52 Joules | Synthetic | 16" / 40,7 cm | 14.3" / 36,5 cm | 30.3" / 77 cm | 3,30 kg / 116,4 oz. |

PRO500
PCP PUNCHER AIRGUNS



1000 FPS

PRO500 WOOD
PCP PUNCHER AIRGUN

DETAILS

- Side lever action, pre-charged pneumatic (PCP) air rifle.
- Available in .177 (4.5mm), .22 (5.5mm) and .25 (6.35mm) caliber.
- 250 Bar 500 cc volume aluminum air tank.
- Full Shrouded and silenced barrel.
- 1/2" UNF threaded muzzle for additional detachable sound moderators.
- Detachable 14-shot magazine in .177 (4.5mm), 12-shot magazine in .22 (5.5mm) and 10-shot magazine in .25 (6.35mm)
- * Velocity results may vary as much as 20% due to pellet weight, pellet shape, temperature, elevation, as well as other factors.
- *Maximum velocity can verify as per regional requests.
- Scope is optional
- * Below power results are tested with (Cal.177 - 8.44 grain // 18,13 grain // .25 -25,39 grain)
- The 11-22 mm PICATINNY RAIL system is in accordance with the MILSPEC standards. Scope or various accessories can easily be mounted and customized.
- Adjustable trigger pull weight.
- Adjustable trigger shoe in four directions; right, left, up and down
- Manual trigger safety.
- Kral-built choked, rifled barrel
- Available in High Quality Turkish Walnut stock.



11-22MM MILSPEC PICATINNY



FULL SHROUDED BARREL



SIDE LEVER SYSTEM



ADJUSTABLE POWER

PCP PUNCHER AIRGUNS | High-Capacity Air System (200 Bar / 3600 PSI / 500 cc), Precision-Rifled Barrel, (4.5 / 5.5 / 6.35 mm)

| CALIBER | SHOT CAPACITY | MAGAZINE CAPACITY | VELOCITY | STOCK | BARREL LENGTH | LENGTH OF PULL | TOTAL LENGTH | AVERAGE WEIGHT |
|--|---------------------|-------------------|----------------------|--------|---------------|----------------|---------------|-------------------|
| PRO - 500 Built with a Precision-Rifled Barrel and Very-Effective PCP System. | | | | | | | | |
| 4.5 mm / .177 cal | 4.5 mm / 168 Shots | 4.5 mm / 14 Pcs | 1000 fps / 21 Joules | Walnut | 20.8" / 53 cm | 13.7" / 35 cm | 30.3" / 77 cm | 3,80 kg / 134 oz. |
| 5.5 mm / .22 cal | 5.5 mm / 144 Shots | 5.5 mm / 12 Pcs | 900 fps / 44 Joules | Walnut | 20.8" / 53 cm | 13.7" / 35 cm | 30.3" / 77 cm | 3,80 kg / 134 oz. |
| 6.35 mm / .25 cal. | 6.35 mm / 120 Shots | 6.35 mm / 10 Pcs | 820 fps / 52 Joules | Walnut | 20.8" / 53 cm | 13.7" / 35 cm | 30.3" / 77 cm | 3,80 kg / 134 oz. |

KNIGHT
PCP PUNCHER AIRGUNS



KNIGHT - W
PCP PUNCHER AIRGUN



KNIGHT - S
PCP PUNCHER AIRGUN



KNIGHT - C
PCP PUNCHER AIRGUN

1000 FPS

1000 FPS

SUPER JUMBO
PCP PUNCHER AIRGUNS



SUPER JUMBO - W
PCP PUNCHER AIRGUN



SUPER JUMBO - S
PCP PUNCHER AIRGUN

DETAILS

- Side lever action, pre-charged pneumatic (PCP) air rifle.
- Available in .177 (4.5mm), .22 (5.5mm) and .25 (6.35mm) caliber.
- 250 Bar 500 cc volume aluminum air tank.
- Changeable calibers (between 4.5-5.5-6.35)
- Adjustable five stage (up&down) and two cm moveable (back&front) soft buttpad.
- Adjustable cheek piece.
- Full Shrouded barrel.
- 1/2" UNF threaded muzzle for additional detachable sound moderators.
- Detachable 14-shot magazine in .177 (4.5mm), 12-shot magazine in .22 (5.5mm) and 10-shot magazine in .25 (6.35mm)
- The 22 mm PICATINNY RAIL system is in accordance with the MIL SPEC standards. Scope or various accessories can easily be mounted and customized.

INTERCHANGEABLE
CALIBERS

- Adjustable trigger pull weight.
- Adjustable trigger shoe in four directions; right, left, up and down.
- Manual trigger safety.
- Kral-built choked, rifled barrel
- Available in High Quality Turkish Walnut&Synthetic stock.
- * Velocity results may vary as much as 20% due to pellet weight, pellet shape, temperature, elevation, as well as other factors.
- *Maximum velocity can verify as per regional requests.
- Scope is optional
- * Below power results are tested with (Cal .177 - 8.44 grain // 18,13 grain // .25 -25,39 grain)



PCP PUNCHER AIRGUNS | High-Capacity Air System (250 Bar / 3600 PSI / 500 cc), Precision-Rifled Barrel, (4.5 / 5.5 / 6.35 mm)

| CALIBER | SHOT CAPACITY | MAGAZINE CAPACITY | VELOCITY | STOCK | BARREL LENGTH | LENGTH OF PULL | TOTAL LENGTH | AVERAGE WEIGHT |
|---|---------------------|-------------------|----------------------|--------------|---------------|-----------------|-----------------|---------------------|
| KNIGHT Built with a Precision-Rifled Barrel and Very-Effective PCP System. | | | | | | | | |
| 4.5 mm / .177 cal | 4.5 mm / 168 Shots | 4.5 mm / 14 Pcs | 1000 fps / 21 Joules | Synt / Waln. | 22,8" / 58 cm | 15,1" / 38,5 cm | 34,4" / 87,5 cm | 3,70 kg / 130,5 oz. |
| 5.5 mm / .22 cal | 5.5 mm / 144 Shots | 5.5 mm / 12 Pcs | 900 fps / 44 Joules | Synt / Waln. | 22,8" / 58 cm | 15,1" / 38,5 cm | 34,4" / 87,5 cm | 3,70 kg / 130,5 oz. |
| 6.35 mm / .25 cal | 6.35 mm / 120 Shots | 6.35 mm / 10 Pcs | 820 fps / 52 Joules | Synt / Waln. | 22,8" / 58 cm | 15,1" / 38,5 cm | 34,4" / 87,5 cm | 3,70 kg / 130,5 oz. |

DETAILS

- Side lever action, pre-charged pneumatic (PCP) air rifle.
- Available in .177 (4.5mm), .22 (5.5mm) and .25 (6.35mm) caliber.
- 250 Bar 500 cc volume aluminum air tank.
- Full Shrouded barrel.
- 1/2" UNF threaded muzzle for additional detachable sound moderators.
- Detachable 14-shot magazine in .177 (4.5mm), 12-shot magazine in .22 (5.5mm) and 10-shot magazine in .25 (6.35mm)
- The 11-22 mm PICATINNY RAIL system is in accordance with the MIL SPEC standards. Scope or various accessories can easily be mounted and customized.
- Adjustable trigger pull weight.
- Adjustable trigger shoe in four directions; right, left, up and down.

- Manual trigger safety.
- Kral-built choked, rifled barrel
- Available in High Quality Turkish Walnut&Synthetic stock.
- Scope is optional
- * Velocity results may vary as much as 20% due to pellet weight, pellet shape, temperature, elevation, as well as other factors.
- *Maximum velocity can verify as per regional requests.
- For Synthetic Stock :
- Adjustable five stage (up&down) and two cm moveable (back&front) soft buttpad.
- Adjustable cheek piece.
- * Below power results are tested with (Cal .177 - 8.44 grain // 18,13 grain // .25 -25,39 grain)



PCP PUNCHER AIRGUNS | High-Capacity Air System (200 Bar / 3600 PSI / 500 cc), Precision-Rifled Barrel, (4.5 / 5.5 / 6.35 mm)

| CALIBER | SHOT CAPACITY | MAGAZINE CAPACITY | VELOCITY | STOCK | BARREL LENGTH | LENGTH OF PULL | TOTAL LENGTH | AVERAGE WEIGHT |
|--|---------------------|-------------------|----------------------|---------------|---------------|----------------|----------------|---------------------|
| SUPER JUMBO Built with a Precision-Rifled Barrel and Very-Effective PCP System. | | | | | | | | |
| 4.5 mm / .177 cal | 4.5 mm / 168 Shots | 4.5 mm / 14 Pcs | 1000 fps / 21 Joules | Synt. / Waln. | 20,8" / 53 cm | 13,7" / 35 cm | 41,3" / 105 cm | 3,90 kg / 137,5 oz. |
| 5.5 mm / .22 cal | 5.5 mm / 144 Shots | 5.5 mm / 12 Pcs | 900 fps / 44 Joules | Synt. / Waln. | 20,8" / 53 cm | 13,7" / 35 cm | 41,3" / 105 cm | 3,90 kg / 137,5 oz. |
| 6.35 mm / .25 cal | 6.35 mm / 120 Shots | 6.35 mm / 10 Pcs | 820 fps / 52 Joules | Synt. / Waln. | 20,8" / 53 cm | 13,7" / 35 cm | 41,3" / 105 cm | 3,90 kg / 137,5 oz. |

EKINOKS
PCP PUNCHER AIRGUNS

SEMI AUTO
SYSTEM



EKINOKS - W
PCP PUNCHER AIRGUN



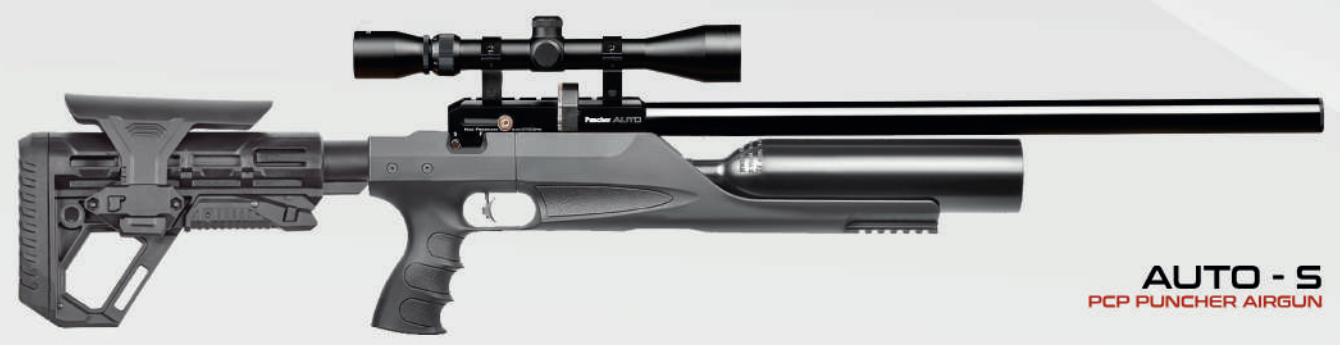
EKINOKS - S
PCP PUNCHER AIRGUN

AUTO
PCP PUNCHER AIRGUNS

SEMI AUTO
SYSTEM



AUTO - W
PCP PUNCHER AIRGUN



AUTO - S
PCP PUNCHER AIRGUN

DETAILS

- Semi-Auto pneumatic, pre-charged (PCP) air rifle.
- Available in .177 (4.5mm), .22 (5.5mm) and .25 (6.35mm) caliber.
- Adjustable five stage (up&down) and two cm moveable (back&front) soft buttpad.
- Adjustable cheek piece.
- 200 Bar 425 cc volume aluminum air tank..
- Up to 42 shots in cal .177 // 36 shots in cal .22 // 30 shots in cal .25 (From 200 bar to 100 bar)
- 1/2" UNF threaded muzzle for additional detachable sound moderators.
- Detachable 14-shot magazine in .177 (4.5mm), 12-shot magazine in .22 (5.5mm) and 10-shot magazine in .25 (6.35mm).
- Adjustable (up&down) and cheek piece.
- The 22 mm PICATINNY RAIL system is in accordance with the MIL SPEC standards. Scope or various accessories can easily be mounted and customized.
- Adjustable trigger pull weight.
- Adjustable trigger shoe in four directions; right, left, up and down.
- Manual trigger safety.
- Kral-built choked, rifled barrel
- Available in High Quality black synthetic stock.
- * Velocity results may vary as much as 20% due to pellet weight, pellet shape, temperature, elevation, as well as other factors.
- *Maximum velocity can verify as per regional requests.
- * Below power results are tested with (Cal .177 - 8.44 grain // 18,13 grain // .25 -25,39 grain)



PCP PUNCHER AIRGUNS | High-Capacity Air System (250 Bar / 3600 PSI / 425 cc), Precision-Rifled Barrel, (4.5 / 5.5 / 6.35 mm)

| CALIBER | SHOT CAPACITY | MAGAZINE CAPACITY | VELOCITY | STOCK | BARREL LENGTH | LENGTH OF PULL | TOTAL LENGTH | AVERAGE WEIGHT |
|--|--------------------|-------------------|----------------------|--------------|---------------|-----------------|---------------|---------------------|
| EKINOKS Built with a Precision-Rifled Barrel and Very-Effective PCP System. | | | | | | | | |
| 4.5 mm / .177 cal | 4.5 mm / 98 Shots | 4.5 mm / 14 Pcs | 1000 fps / 32 Joules | Synt / Waln. | 20,8" / 53 cm | 14,3" / 36,5 cm | 35,8" / 91 cm | 3,70 kg / 130,5 oz. |
| 5.5 mm / .22 cal | 5.5 mm / 84 Shots | 5.5 mm / 12 Pcs | 900 fps / 47 Joules | Synt / Waln. | 20,8" / 53 cm | 14,3" / 36,5 cm | 35,8" / 91 cm | 3,70 kg / 130,5 oz. |
| 6.35 mm / .25 cal. | 6.35 mm / 70 Shots | 6.35 mm / 10 Pcs | 850 fps / 55 Joules | Synt / Waln. | 20,8" / 53 cm | 14,3" / 36,5 cm | 35,8" / 91 cm | 3,70 kg / 130,5 oz. |

DETAILS

- Semi-Auto pneumatic, pre-charged (PCP) air rifle.
- Available in .177 (4.5mm), .22 (5.5mm) and .25 (6.35mm) caliber.
- Adjustable five stage (up&down) and two cm moveable (back&front) soft buttpad.
- Adjustable cheek piece.
- 200 Bar 425 cc volume aluminum air tank..
- Up to 42 shots in cal .177 // 36 shots in cal .22 // 30 shots in cal .25 (From 200 bar to 100 bar)
- 1/2" UNF threaded muzzle for additional detachable sound moderators.
- Detachable 14-shot magazine in .177 (4.5mm), 12-shot magazine in .22 (5.5mm) and 10-shot magazine in .25 (6.35mm).
- Adjustable (up&down) and cheek piece.
- The 22 mm PICATINNY RAIL system is in accordance with the MIL SPEC standards. Scope or various accessories can easily be mounted and customized.
- Adjustable trigger pull weight.
- Adjustable trigger shoe in four directions; right, left, up and down.
- Manual trigger safety.
- Kral-built choked, rifled barrel
- Available in High Quality black synthetic stock. .
- * Velocity results may vary as much as 20% due to pellet weight, pellet shape, temperature, elevation, as well as other factors.
- *Maximum velocity can verify as per regional requests.
- * Below power results are tested with (Cal .177 - 8.44 grain // 18,13 grain // .25 -25,39 grain)



PCP PUNCHER AIRGUNS | High-Capacity Air System (200 Bar / 3000 PSI / 425 cc), Precision-Rifled Barrel, (4.5 / 5.5 / 6.35 mm)

| CALIBER | SHOT CAPACITY | MAGAZINE CAPACITY | VELOCITY | STOCK | BARREL LENGTH | LENGTH OF PULL | TOTAL LENGTH | AVERAGE WEIGHT |
|---|--------------------|-------------------|----------------------|---------------|---------------|-----------------|----------------|---------------------|
| AUTO Built with a Precision-Rifled Barrel and Very-Effective PCP System. | | | | | | | | |
| 4.5 mm / .177 cal | 4.5 mm / 98 Shots | 4.5 mm / 14 Pcs | 1000 fps / 32 Joules | Synt. / Waln. | 18,9" / 48 cm | 14,3" / 36,5 cm | 41,3" / 105 cm | 3,50 kg / 123,4 oz. |
| 5.5 mm / .22 cal | 5.5 mm / 84 Shots | 5.5 mm / 12 Pcs | 900 fps / 47 Joules | Synt. / Waln. | 18,9" / 48 cm | 14,3" / 36,5 cm | 41,3" / 105 cm | 3,50 kg / 123,4 oz. |
| 6.35 mm / .25 cal. | 6.35 mm / 70 Shots | 6.35 mm / 10 Pcs | 850 fps / 55 Joules | Synt. / Waln. | 18,9" / 48 cm | 14,3" / 36,5 cm | 41,3" / 105 cm | 3,50 kg / 123,4 oz. |

NP-01
PCP PUNCHER AIRGUNS



750 FPS

TACTICAL STOCK
PCP PUNCHER AIRGUN

BLACK
PCP PUNCHER AIRGUN

ARMY GREEN
PCP PUNCHER AIRGUN

BOTH AIR PISTOL
AND AIR RIFLE USAGE

DETAILS

- Left Side lever action, pre-charged pneumatic (PCP) air rifle.(Left Handed)
- Available in .177 (4.5mm), .22 (5.5mm) and .25 (6.35mm) caliber.
- 200 Bar 105 cc volume aluminum air tank..
- Up to 40 shots in cal .177 // 30 shots in cal .22 // 25 shots in cal .25 (From 250 bar to 100 bar)
- Externally adjustable power.
- 1/2" UNF threaded muzzle for additional detachable sound moderators.
- Detachable 14-shot magazine in .177 (4.5mm), 12-shot magazine in .22 (5.5mm) and 10-shot magazine in .25 (6.35mm).
- Adjustable 6 - Stage (back&forward) moveable tactical stock.
- Adjustable five stage (up&down) and two cm moveable (back&front) soft buttpad.
- The 11-22 mm PICATINNY RAIL system is in accordance with the MIL SPEC standards. Scope or various accessories can easily be mounted and customized.
- Adjustable trigger pull weight.
- Adjustable trigger shoe in four directions; right, left, up and down.
- Manual trigger safety.
- Kral-built choked, rifled barrel
- Available in High Quality black synthetic stock.
- * Velocity results may vary as much as 20% due to pellet weight, pellet shape, temperature, elevation, as well as other factors.
- *Maximum velocity can verify as per regional requests.
- * Below power results are tested with (Cal .177 - 8.44 grain // 18,13 grain // .25 -25,39 grain)



PCP PUNCHER AIRGUNS | High-Capacity Air System (200 Bar / 2900 PSI / 105 cc), Precision-Rifled Barrel, (.45 / 5.5 / 6.35 mm)

| CALIBER | SHOT CAPACITY | MAGAZINE CAPACITY | VELOCITY | STOCK | BARREL LENGTH | LENGTH OF PULL | TOTAL LENGTH | AVERAGE WEIGHT |
|--|--------------------|-------------------|-----------------------|-----------|---------------|----------------|---------------|-------------------|
| NP - 01 Built with a Precision-Rifled Barrel and Very-Effective PCP System. | | | | | | | | |
| 4.5 mm / .177 cal | 4.5 mm / 56 Shots | 4.5 mm / 14 Pcs | 850 fps / 18,5 Joules | Synthetic | 10,6" / 27 cm | 12,2" / 15,4" | 17,3" / 19,3" | 1,60 kg / 2.05 kg |
| 5.5 mm / .22 cal | 5.5 mm / 48 Shots | 5.5 mm / 12 Pcs | 750 fps / 30,5 Joules | Synthetic | 10,6" / 27 cm | 12,2" / 15,4" | 17,3" / 19,3" | 1,60 kg / 2.05 kg |
| 6.35 mm / .25 cal. | 6.35 mm / 40 Shots | 6.35 mm / 10 Pcs | 680 fps / 35,5 Joules | Synthetic | 10,6" / 27 cm | 12,2" / 15,4" | 17,3" / 19,3" | 1,60 kg / 2.05 kg |

NP-02
PCP PUNCHER AIRGUNS



1000 FPS

NP-02
PCP PUNCHER AIRGUN

NP-02 MARINE
PCP PUNCHER AIRGUN

DETAILS

- Left Side lever action, pre-charged pneumatic (PCP) air rifle.(Left Handed)
- Available in .177 (4.5mm), .22 (5.5mm) and .25 (6.35mm) caliber.
- 200 Bar 530 cc volume air tank.
- Externally adjustable power.
- 1/2" UNF threaded muzzle for additional detachable sound moderators.
- Detachable 14-shot magazine in .177 (4.5mm), 12-shot magazine in .22 (5.5mm) and 10-shot magazine in .25 (6.35mm).
- Adjustable five stage (up&down) and two cm moveable (back&front) soft buttpad.
- The 11-22 mm PICATINNY RAIL system is in accordance with the MIL SPEC standards. Scope or various accessories can easily be mounted and customized.
- Adjustable trigger pull weight.
- Adjustable trigger shoe in four directions; right, left, up and down.
- Manual trigger safety.
- Kral-built choked, rifled barrel
- Available in High Quality turkish walnut
- * Velocity results may vary as much as 20% due to pellet weight, pellet shape, temperature, elevation, as well as other factors.
- *Maximum velocity can verify as per regional requests.
- * Below power results are tested with (Cal .177 - 8.44 grain // 18,13 grain // .25 -25,39 grain)



PCP PUNCHER AIRGUNS | High-Capacity Air System (200 Bar / 3000 PSI / 530 cc), Precision-Rifled Barrel, (.45 / 5.5 / 6.35 mm)

| CALIBER | SHOT CAPACITY | MAGAZINE CAPACITY | VELOCITY | STOCK | BARREL LENGTH | LENGTH OF PULL | TOTAL LENGTH | AVERAGE WEIGHT |
|--|---------------------|-------------------|------------------------|----------------|---------------|-----------------|---------------|---------------------|
| NP - 02 Built with a Precision-Rifled Barrel and Very-Effective PCP System. | | | | | | | | |
| 4.5 mm / .177 cal | 4.5 mm / 174 Shots | 4.5 mm / 14 Pcs | 1000 fps / 18,5 Joules | Waln. / Lamin. | 12,6" / 33 cm | 16,1" / 41,3 cm | 30,3" / 77 cm | 3,30 kg / 116,4 oz. |
| 5.5 mm / .22 cal | 5.5 mm / 150 Shots | 5.5 mm / 12 Pcs | 900 fps / 35 Joules | Waln. / Lamin. | 12,6" / 33 cm | 16,1" / 41,3 cm | 30,3" / 77 cm | 3,30 kg / 116,4 oz |
| 6.35 mm / .25 cal. | 6.35 mm / 126 Shots | 6.35 mm / 10 Pcs | 820 fps / 40 Joules | Waln. / Lamin. | 12,6" / 33 cm | 16,1" / 41,3 cm | 30,3" / 77 cm | 3,30 kg / 116,4 oz |

NP-03
PCP PUNCHER AIRGUNS



800 FPS

NP-03
PCP PUNCHER AIRGUN

RAMBO
PCP PUNCHER AIRGUNS

PUMP ACTION
SYSTEM

KRAL ARMS®
www.kralarms.com

1000 FPS



RAMBO
PCP PUNCHER AIRGUN



RAMBO MARINE
PCP PUNCHER AIRGUN

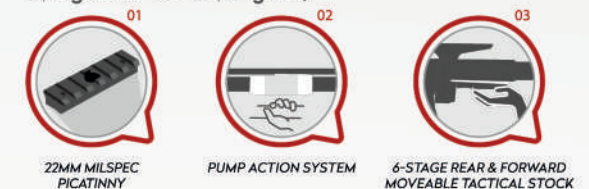
DETAILS

- Side lever action, pre-charged pneumatic (PCP) air rifle.
- Available in .177 (4.5mm), .22 (5.5mm) and .25 (6.35mm) caliber.
- 200 Bar 180 cc volume aluminum air tank.
- Up to 56 shots in cal .177 // 48 shots in cal .22 // 40 shots in cal .25 (from 200 bar to 100 bar)
- 1/2" UNF threaded muzzle for additional detachable sound moderators.
- Detachable 14-shot magazine in .177 (4.5mm), 12-shot magazine in .22 (5.5mm) and 10-shot magazine in .25 (6.35mm)
- The 11-22 mm PICATINNY RAIL system is in accordance with the MILSPEC standards. Scope or various accessories can easily be mounted and customized.
- Adjustable trigger pull weight.
- Adjustable trigger shoe in four directions; right, left, up and down.
- Manual trigger safety.
- Kral-built choked, rifled barrel
- Adjustable 6 stage (back&forward) moveable tactical stock.
- Adjustable 5 stage (up&down) and 2 cm moveable (back&front) soft buttpad.
- * Velocity results may vary as much as 20% due to pellet weight, pellet shape, temperature, elevation, as well as other factors.
- *Maximum velocity can verify as per regional requests.
- Scope is optional
- * Below power results are tested with (Cal .177 - 8.44 grain // 18,13 grain // .25 - 25,39 grain)



DETAILS

- Pump action, pre-charged pneumatic (PCP) air rifle.
- Available in .177 (4.5mm), .22 (5.5mm) and .25 (6.35mm) caliber.
- 200 Bar 280 cc volume aluminum air tank..
- Up to 84 shots in cal .177 // 72 shots in cal .22 // 60 shots in cal .25 (From 200 bar to 50 bar)
- 1/2" UNF threaded muzzle for additional detachable sound moderators.
- Detachable 14-shot magazine in .177 (4.5mm), 12-shot magazine in .22 (5.5mm) and 10-shot magazine in .25 (6.35mm).
- Adjustable 6 - Stage (back&forward) moveable tactical stock.
- Adjustable five stage (up&down) and two cm moveable (back& front) soft buttpad.
- The 22 mm PICATINNY RAIL system is in accordance with the MILSPEC standards. Scope or various accessories can easily be mounted and customized.
- Adjustable trigger pull weight.
- Adjustable trigger shoe in four directions; right, left, up and down.
- Manual trigger safety.
- Kral-built choked, rifled barrel
- Available in High Quality black synthetic stock.
- * Velocity results may vary as much as 20% due to pellet weight, pellet shape, temperature, elevation, as well as other factors.
- *Maximum velocity can verify as per regional requests.
- * Below power results are tested with (Cal .177 - 8.44 grain // 18,13 grain // .25 - 25,39 grain)



PCP PUNCHER AIRGUNS | High-Capacity Air System (200 Bar / 2900 PSI / 105 cc), Precision-Rifled Barrel, (4.5 / 5.5 / 6.35 mm)

| CALIBER | SHOT CAPACITY | MAGAZINE CAPACITY | VELOCITY | STOCK | BARREL LENGTH | LENGTH OF PULL | TOTAL LENGTH | AVERAGE WEIGHT |
|--|--------------------|-------------------|-----------------------|-----------|---------------|----------------|---------------|---------------------|
| NP - 03 Built with a Precision-Rifled Barrel and Very-Effective PCP System. | | | | | | | | |
| 4.5 mm / .177 cal | 4.5 mm / 60 Shots | 4.5 mm / 14 Pcs | 850 fps / 14 Joules | Synthetic | 10,6" / 27 cm | 12,2" / 15,3" | 31,5" / 34,4" | 3,00 kg / 105,8 oz. |
| 5.5 mm / .22 cal | 5.5 mm / 52 Shots | 5.5 mm / 12 Pcs | 750 fps / 30,5 Joules | Synthetic | 10,6" / 27 cm | 12,2" / 15,3" | 31,5" / 34,4" | 3,00 kg / 105,8 oz. |
| 6.35 mm / .25 cal | 6.35 mm / 44 Shots | 6.35 mm / 10 Pcs | 700 fps / 32 Joules | Synthetic | 10,6" / 27 cm | 12,2" / 15,3" | 31,5" / 34,4" | 3,00 kg / 105,8 oz. |

PCP PUNCHER AIRGUNS | High-Capacity Air System (200 Bar / 3000 PSI / 280 cc), Precision-Rifled Barrel, (4.5 / 5.5 / 6.35 mm)

| CALIBER | SHOT CAPACITY | MAGAZINE CAPACITY | VELOCITY | STOCK | BARREL LENGTH | LENGTH OF PULL | TOTAL LENGTH | AVERAGE WEIGHT |
|--|--------------------|-------------------|------------------------|-----------|---------------|----------------|---------------|-------------------|
| RAMBO Built with a Precision-Rifled Barrel and Very-Effective PCP System. | | | | | | | | |
| 4.5 mm / .177 cal | 4.5 mm / 98 Shots | 4.5 mm / 14 Pcs | 1000 fps / 20,5 Joules | Synthetic | 20,8" / 53 cm | 11,8" / 30 cm | 36" / 91,5 cm | 3,40 kg / 120 oz. |
| 5.5 mm / .22 cal | 5.5 mm / 84 Shots | 5.5 mm / 12 Pcs | 900 fps / 44 Joules | Synthetic | 20,8" / 53 cm | 16,1" / 30 cm | 36" / 91,5 cm | 3,40 kg / 120 oz. |
| 6.35 mm / .25 cal. | 6.35 mm / 70 Shots | 6.35 mm / 10 Pcs | 820 fps / 51 Joules | Synthetic | 20,8" / 53 cm | 16,1" / 30 cm | 36" / 91,5 cm | 3,40 kg / 120 oz. |

MEGA SERIES
PCP PUNCHER AIRGUNS

1000 FPS



MEGA - W
PCP PUNCHER AIRGUN



MEGA C SILENT
PCP PUNCHER AIRGUN



MEGA - S SILENT
PCP PUNCHER AIRGUN



MEGA SKULL SILENT
PCP PUNCHER AIRGUN



MEGA CERAKOTED/BR
PCP PUNCHER AIRGUN



MEGA CERAKOTED/BW
PCP PUNCHER AIRGUN

DETAILS

- Side lever action, pre-charged pneumatic (PCP) air rifle.
- Available in .177 (4.5mm), .22 (5.5mm) and .25 (6.35mm) caliber.
- 200 Bar 330 cc volume aluminum air tank.
- 1/2" UNF threaded muzzle for additional detachable sound moderators.
- Detachable 14-shot magazine in .177 (4.5mm), 12-shot magazine in .22 (5.5mm) and 10-shot magazine in .25 (6.35mm)
- The 11X22 mm PICATINNY RAIL system is in accordance with the MILSPEC standards. Scope or various accessories can easily be mounted and customized.
- Adjustable trigger pull weight.
- Adjustable trigger shoe in four directions; right, left, up and down.
- Manual trigger safety.
- Kral-built choked, rifled barrel
- Available in Synthetic, Camouflage or High Quality Turkish Walnut stock.
- For Synthetic Options ;
- Adjustable five stage (up&down) and two cm moveable (back&front) soft buttpad.
- Adjustable cheek piece.
- * Velocity results may vary as much as 20% due to pellet weight, pellet shape, temperature, elevation, as well as other factors.
- *Maximum velocity can verify as per regional requests.
- * Below power results are tested with (Cal.177 - 8.44 grain // 18,13 grain // .25 -25,39 grain)



PCP PUNCHER AIRGUNS | High-Capacity Air System (200 Bar / 3000 PSI / 330 cc), Precision-Rifled Barrel, (4.5 / 5.5 / 6.35 mm)

| CALIBER | SHOT CAPACITY | MAGAZINE CAPACITY | VELOCITY | STOCK | BARREL LENGTH | LENGTH OF PULL | TOTAL LENGTH | AVERAGE WEIGHT |
|---|--------------------|-------------------|------------------------|---------------|---------------|----------------|---------------|---------------------------|
| MEGA Built with a Precision-Rifled Barrel and Very-Effective PCP System. | | | | | | | | |
| 4.5 mm / .177 cal | 4.5 mm / 112 Shots | 4.5 mm / 14 Pcs | 1000 fps / 20,5 Joules | Synt. / Wain. | 10,6" / 27 cm | 12,2" / 15,3" | 31,5" / 34,4" | S : 3.50 kg / W : 4.00 kg |
| 5.5 mm / .22 cal | 5.5 mm / 96 Shots | 5.5 mm / 12 Pcs | 880 fps / 44 Joules | Synt. / Wain. | 10,6" / 27 cm | 12,2" / 15,3" | 31,5" / 34,4" | S : 3.50 kg / W : 4.00 kg |
| 6.35 mm / .25 cal. | 6.35 mm / 80 Shots | 6.35 mm / 10 Pcs | 780 fps / 51,5 Joules | Synt. / Wain. | 10,6" / 27 cm | 12,2" / 15,3" | 31,5" / 34,4" | S : 3.50 kg / W : 4.00 kg |

BREAKER SERIES
PCP PUNCHER AIRGUNS

1000 FPS



BREAKER W



BREAKER WS
PCP PUNCHER AIRGUN



BREAKER S



BREAKER S SILENT
PCP PUNCHER AIRGUN



BREAKER GS
PCP PUNCHER AIRGUN



BREAKER S SKULL
PCP PUNCHER AIRGUN

DETAILS

- Side lever action, pre-charged pneumatic (PCP) air rifle.
- Available in .177 (4.5mm), .22 (5.5mm) and .25 (6.35mm) caliber.
- 200 Bar 280 cc volume aluminum air tank.
- 1/2" UNF threaded muzzle for additional detachable sound moderators.
- Detachable 14-shot magazine in .177 (4.5mm), 12-shot magazine in .22 (5.5mm) and 10-shot magazine in .25 (6.35mm)
- The 11X22 mm PICATINNY RAIL system is in accordance with the MILSPEC standards. Scope or various accessories can easily be mounted and customized.
- Adjustable trigger pull weight
- Adjustable trigger shoe in four directions; right, left, up and down.
- Manual trigger safety.
- Kral-built choked, rifled barrel
- Available in Synthetic, Camouflage or High Quality Turkish Walnut stock

- **For Synthetic Options ;**
- Adjustable five stage (up&down) and two cm moveable (back&front) soft buttpad.
- Adjustable cheek piece.
- * Velocity results may vary as much as 20% due to pellet weight, pellet shape, temperature, elevation, as well as other factors.
- *Maximum velocity can verify as per regional requests.
- * Below power results are tested with (Cal.177 - 8.44 grain // 18,13 grain // .25 - 25,39 grain)



SIDE LEVER SYSTEM



22MM MILSPEC



FULL SHROUDED BARREL

PCP PUNCHER AIRGUNS | High-Capacity Air System (200 Bar / 3000 PSI / 280 cc), Precision-Rifled Barrel, (4.5 / 5.5 / 6.35 mm)

| CALIBER | SHOT CAPACITY | MAGAZINE CAPACITY | VELOCITY | STOCK | BARREL LENGTH | LENGTH OF PULL | TOTAL LENGTH | AVERAGE WEIGHT |
|--|--------------------|-------------------|------------------------|---------------|---------------|-----------------|--------------|---------------------------|
| BREAKER Built with a Precision-Rifled Barrel and Very-Effective PCP System. | | | | | | | | |
| 4.5 mm / .177 cal | 4.5 mm / 98 Shots | 4.5 mm / 14 Pcs | 1000 fps / 20.5 Joules | Synt. / Wain. | 21" / 53,5 cm | 14,3" / 36,5 cm | 28,7" / 73" | S : 3.80 kg / W : 3.90 kg |
| 5.5 mm / .22 cal | 5.5 mm / 84 Shots | 5.5 mm / 12 Pcs | 900 fps / 44 Joules | Synt. / Wain. | 21" / 53,5 cm | 14,3" / 36,5 cm | 28,7" / 73" | S : 3.80 kg / W : 3.90 kg |
| 6.35 mm / .25 cal. | 6.35 mm / 70 Shots | 6.35 mm / 10 Pcs | 820 fps / 51,5 Joules | Synt. / Wain. | 21" / 53,5 cm | 14,3" / 36,5 cm | 28,7" / 73" | S : 3.80 kg / W : 3.90 kg |

One Break, Total Control.



Break-Barrel Action

N - SERIES
BREAK-BARREL SPRING / GAS PISTON

N - 01



BLACK

ARBOREAL

| CALIBER | VELOCITY | SYSTEM | STOCK | BARREL LENGTH | LENGTH OF PULL | TOTAL LENGTH | AVERAGE WEIGHT |
|------------------|------------------------|----------------------------------|------------------------|---------------|----------------|----------------|----------------------|
| 4.5 mm / .177cal | 800 fps / 16.50 Joules | Break-Barrel Spring / Gas Piston | High Quality Synthetic | 17.7" / 45 cm | 14" / 35.5 cm | 45.3" / 115 cm | 2.90 kg 102.3 oz. |
| 5.5 mm / .22cal | 550 fps / 16.50 Joules | | | | | | |
| 6.35 mm / .25cal | 500 fps / 19 Joules | | | | | | |

N - 03



| CALIBER | VELOCITY | SYSTEM | STOCK | BARREL LENGTH | LENGTH OF PULL | TOTAL LENGTH | AVERAGE WEIGHT |
|------------------|------------------------|----------------------------------|------------------------|---------------|----------------|----------------|----------------------|
| 4.5 mm / .177cal | 800 fps / 16.50 Joules | Break-Barrel Spring / Gas Piston | High Quality Synthetic | 17.7" / 45 cm | 14" / 35.5 cm | 45.3" / 115 cm | 2.90 kg 102.3 oz. |
| 5.5 mm / .22cal | 550 fps / 16.50 Joules | | | | | | |
| 6.35 mm / .25cal | 500 fps / 19 Joules | | | | | | |

N - 02



TRUGLO
SIGHT EQUIPMENT

| CALIBER | VELOCITY | SYSTEM | STOCK | BARREL LENGTH | LENGTH OF PULL | TOTAL LENGTH | AVERAGE WEIGHT |
|------------------|------------------------|----------------------------------|------------------------|---------------|----------------|----------------|--------------------|
| 4.5 mm / .177cal | 800 fps / 16.50 Joules | Break-Barrel Spring / Gas Piston | High Quality Synthetic | 17.7" / 45 cm | 14" / 35.5 cm | 45.3" / 115 cm | 2.95 kg 104 oz. |
| 5.5 mm / .22cal | 550 fps / 16.50 Joules | | | | | | |
| 6.35 mm / .25cal | 500 fps / 19 Joules | | | | | | |

N - 04



TRUGLO
SIGHT EQUIPMENT

| CALIBER | VELOCITY | SYSTEM | STOCK | BARREL LENGTH | LENGTH OF PULL | TOTAL LENGTH | AVERAGE WEIGHT |
|------------------|------------------------|----------------------------------|------------------------|---------------|----------------|----------------|----------------------|
| 4.5 mm / .177cal | 800 fps / 16.50 Joules | Break-Barrel Spring / Gas Piston | High Quality Synthetic | 17.7" / 45 cm | 14" / 35.5 cm | 45.3" / 115 cm | 3.00 kg 105.8 oz. |
| 5.5 mm / .22cal | 550 fps / 16.50 Joules | | | | | | |
| 6.35 mm / .25cal | 500 fps / 19 Joules | | | | | | |

N - SERIES
BREAK-BARREL SPRING / GAS PISTON

N - 05



N - 07 BLACK



| CALIBER | VELOCITY | SYSTEM | STOCK | BARREL LENGTH | LENGTH OF PULL | TOTAL LENGTH | AVERAGE WEIGHT |
|------------------|------------------------|----------------------------------|------------------------|---------------|----------------|----------------|---------------------|
| 4.5 mm / .177cal | 800 fps / 16.50 Joules | Break-Barrel Spring / Gas Piston | High Quality Synthetic | 17.7" / 45 cm | 14" / 35.5 cm | 45.3" / 115 cm | 2.90 kg / 102.3 oz. |
| 5.5 mm / .22cal | 550 fps / 16.50 Joules | | | | | | |
| 6.35 mm / .25cal | 500 fps / 19 Joules | | | | | | |

| CALIBER | VELOCITY | SYSTEM | STOCK | BARREL LENGTH | LENGTH OF PULL | TOTAL LENGTH | AVERAGE WEIGHT |
|------------------|------------------------|----------------------------------|------------------------|---------------|----------------|----------------|---------------------|
| 4.5 mm / .177cal | 800 fps / 16.50 Joules | Break-Barrel Spring / Gas Piston | High Quality Synthetic | 17.7" / 45 cm | 14" / 35.5 cm | 45.3" / 115 cm | 2.90 kg / 102.3 oz. |
| 5.5 mm / .22cal | 550 fps / 16.50 Joules | | | | | | |
| 6.35 mm / .25cal | 500 fps / 19 Joules | | | | | | |

N - 06



N - 07 WOOD



TRUGLO®
SIGHT EQUIPMENT

TRUGLO®
SIGHT EQUIPMENT

| CALIBER | VELOCITY | SYSTEM | STOCK | BARREL LENGTH | LENGTH OF PULL | TOTAL LENGTH | AVERAGE WEIGHT |
|------------------|------------------------|----------------------------------|------------------------|---------------|----------------|----------------|---------------------|
| 4.5 mm / .177cal | 800 fps / 16.50 Joules | Break-Barrel Spring / Gas Piston | High Quality Synthetic | 17.7" / 45 cm | 14" / 35.5 cm | 45.3" / 115 cm | 2.90 kg / 102.3 oz. |
| 5.5 mm / .22cal | 550 fps / 16.50 Joules | | | | | | |
| 6.35 mm / .25cal | 500 fps / 19 Joules | | | | | | |

| CALIBER | VELOCITY | SYSTEM | STOCK | BARREL LENGTH | LENGTH OF PULL | TOTAL LENGTH | AVERAGE WEIGHT |
|------------------|------------------------|----------------------------------|-----------------------------|---------------|----------------|----------------|---------------------|
| 4.5 mm / .177cal | 800 fps / 16.50 Joules | Break-Barrel Spring / Gas Piston | High Quality Turkish Walnut | 17.7" / 45 cm | 14" / 35.5 cm | 45.3" / 115 cm | 3.35 kg / 115.4 oz. |
| 5.5 mm / .22cal | 550 fps / 16.50 Joules | | | | | | |
| 6.35 mm / .25cal | 500 fps / 19 Joules | | | | | | |

N - 11 BLACK



BLACK

ARBOREAL

| CALIBER | VELOCITY | SYSTEM | STOCK | BARREL LENGTH | LENGTH OF PULL | TOTAL LENGTH | AVERAGE WEIGHT |
|------------------|------------------------|----------------------------------|------------------------|---------------|----------------|----------------|----------------------|
| 4.5 mm / .177cal | 800 fps / 16.50 Joules | Break-Barrel Spring / Gas Piston | High Quality Synthetic | 17.7" / 45 cm | 14" / 35.5 cm | 45.3" / 115 cm | 3,70 kg / 1130,5 oz. |
| 5.5 mm / .22cal | 550 fps / 16.50 Joules | | | | | | |
| 6.35 mm / .25cal | 500 fps / 19 Joules | | | | | | |

N - 12



| CALIBER | VELOCITY | SYSTEM | STOCK | BARREL LENGTH | LENGTH OF PULL | TOTAL LENGTH | AVERAGE WEIGHT |
|------------------|------------------------|----------------------------------|------------------------|---------------|----------------|----------------|---------------------|
| 4.5 mm / .177cal | 800 fps / 16.50 Joules | Break-Barrel Spring / Gas Piston | High Quality Synthetic | 17.7" / 45 cm | 14" / 35.5 cm | 45.3" / 115 cm | 3,00 kg / 105,8 oz. |
| 5.5 mm / .22cal | 550 fps / 16.50 Joules | | | | | | |
| 6.35 mm / .25cal | 500 fps / 19 Joules | | | | | | |

N - 11 LUX



TRUGLO
SIGHT EQUIPMENT

| CALIBER | VELOCITY | SYSTEM | STOCK | BARREL LENGTH | LENGTH OF PULL | TOTAL LENGTH | AVERAGE WEIGHT |
|------------------|------------------------|----------------------------------|------------------------|---------------|----------------|----------------|----------------------|
| 4.5 mm / .177cal | 800 fps / 16.50 Joules | Break-Barrel Spring / Gas Piston | High Quality Synthetic | 17.7" / 45 cm | 14" / 35.5 cm | 45.3" / 115 cm | 4,00 kg / 141,10 oz. |
| 5.5 mm / .22cal | 550 fps / 16.50 Joules | | | | | | |
| 6.35 mm / .25cal | 500 fps / 19 Joules | | | | | | |

N - 13



TRUGLO
SIGHT EQUIPMENT

| CALIBER | VELOCITY | SYSTEM | STOCK | BARREL LENGTH | LENGTH OF PULL | TOTAL LENGTH | AVERAGE WEIGHT |
|------------------|------------------------|----------------------------------|------------------------|---------------|----------------|----------------|---------------------|
| 4.5 mm / .177cal | 800 fps / 16.50 Joules | Break-Barrel Spring / Gas Piston | High Quality Synthetic | 17.7" / 45 cm | 14" / 35.5 cm | 45.3" / 115 cm | 3,20 kg / 112,9 oz. |
| 5.5 mm / .22cal | 550 fps / 16.50 Joules | | | | | | |
| 6.35 mm / .25cal | 500 fps / 19 Joules | | | | | | |

BIPODS



PUNCHER REGULATOR



SCUBA FILLING KIT



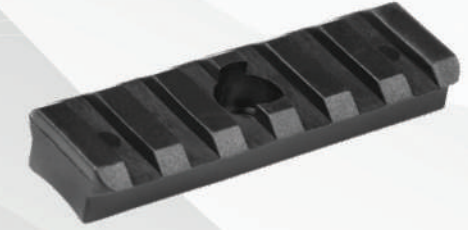
KRAL ARMS HAND PUMP



TECHNICAL SPECS

- Maximum 250 bar Fill Pressure
- Flexible Micro-Bore Hose (Inside a spiral steel cage)
- Comfortable, Ergonomic Handle
- Silent operation
- Made of Aluminum Alloy and Light Weight
- Pressure Gauge
- Easily Demountable Design
- Wide Foot Plate With Adjustable Pumping Angle

PICATINNY



N SERIES ACTION SPRINGS



ADJ. BUTT PAD



HAND PUMP MANOMETER



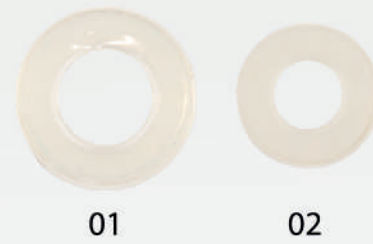
PLASTIC CASES



GAS PISTON



PISTON SEAL



N SERIES FRONT SIGHTS



REAR SIGHTS



FRONT SIGHTS



ACCESSORIES
PCP AIRGUN ACCESSORIES

FILLING PROBES



01



02

AIR STRIPPER



MAGAZINES

26/36 Rounds



Available in cal
.177 & .22 & .25



.22 cal
12 Rounds

.25 cal
10 Rounds

.30 cal
9 Rounds



.35 cal
7 Rounds

.177 cal
14 Rounds

AIR TANKS

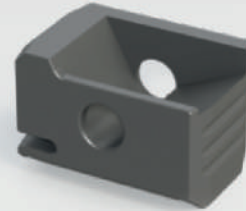


200 cc

180 cc

105 cc

SINGLE SHOT MAGAZINE



AIR TANKS



500 cc



425 cc



480 cc
Carbon Fiber

PCP MANOMETERS



AIR TANKS



330 cc

280 cc

230 cc

PUNCHER MODEL MODERATORS



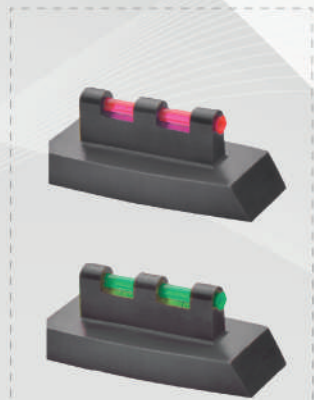
X

L

TACTICAL STOCK



ACCESSORIES
SHOTGUN ACCESSORIES





@kralarmstr



KRAL ARMS

www.kralarms.com

Address

Üzümlü Mah. Alparslan Türkeş Cad. No:1
Beyşehir - KONYA / TÜRKİYE

Phone

+90 332 524 68 70
+90 543 531 80 02

Mail

export@kralarms.com