



KRAL ARMS



KR9

SAFETY & INSTRUCTION MANUAL

HOW TO USE THIS MANUAL

Thank you for trusting your next shot to KR9

Kral Arms Company is a quality proven, Turkish company which designs and manufactures premium firearms and less lethal products. Kral Arms vision since its beginnings has always been to provide a superior product for all applications while never compromising in features, materials or performance. Kral Arms is currently headquartered in Beysehir - Konya - Türkiye . Kral Arms products will provide a lifetime of service with proper operation and care.

This manual is not a comprehensive guide to firearm safety. Kral Arms highly recommends that new shooters seek professional training from qualified instructors prior to handling any firearm. To help ensure safe and long-term enjoyment of a Kral Arms firearms, this manual should be read in its entirety and thoroughly understood.

This manual contains several safety warnings and instructions preceded with, **▲WARNING**, **▲CAUTION**, or **NOTICE**. These signal words are designed to draw your attention to important safety information. In certain situations, this manual also includes a NOTE.

▲WARNING

Before using this firearm, carefully read this manual in its entirety, understand and follow all instructions and warnings. Failure to read this manual and understand and follow all instructions and warnings may result in an unsafe condition that could cause death, serious injury or property damage.

SAFETY	4	CARE	48
Cable Lock	5	Preventative Maintenance	48
		Long-Term Storage	52
SPECIFICATIONS	8	SUPPORT	54
OPERATION	10	Limited Warranty.....	54
The Micro Fire Control System	10	Obtaining KR9 Replacement Parts	56
Performance Features	13	Custom Shop Treatments	56
Safety Features.....	14	Customer Service.....	56
Basic Operation	18	Product Diagram and Parts List	58
Tips for Improved Shooting	46	Returning a Firearm.....	60

downrange at the target for a minimum of 30 seconds. If the round still does not fire, remove the magazine, clear the firearm while keeping the muzzle pointed in a safe direction and the ejection port turned away from your face, eyes and other body parts, and examine the ejected, unfired cartridge. If the indent from the firing pin is off center, light or absent, contact Kral Arms Customer Service. If the indent appears normal compared to other rounds, assume a faulty round, separate from other cartridges, reload and continue shooting.

▲WARNING

Never use this firearm in any manner other than that for which it was specifically designed.

▲WARNING

Never act in an irresponsible manner or ignore any established rules of safety when using or storing firearms.

▲WARNING

This product is a firearm and can be a lethal weapon. Failure to read and properly follow the instructions and warnings in this manual could result in death, serious injury or damage to property.

▲CAUTION

Make sure all other shooters and bystanders are well away from the ejection port. Empty cases are ejected under force and may cause injury if someone is struck.

▲CAUTION

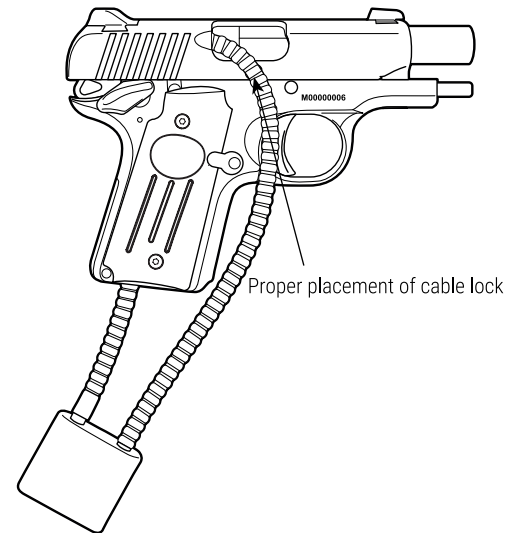
Never shoot the firearm with your thumb or other body part directly behind the slide, or you could be injured when the slide and firearm recoil in firing.

Kral Arms Company, Inc. shall not be responsible for any death, physical injury or property damage that is the result of the proper or improper use of this product.

CABLE LOCK

To use cable lock provided with this firearm:

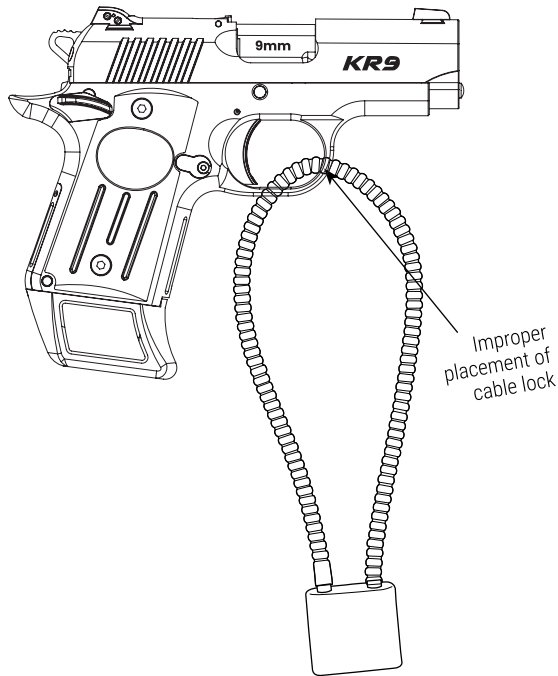
1. Point the muzzle of the firearm in a safe direction and keep fingers outside the trigger guard and clear of the trigger throughout the following steps.
2. Unload the firearm following the unloading procedures specified in this manual (see pages 35-39), finishing by visually confirming that the chamber, magazine well and magazine are clear of ammunition. We recommend that the magazine be unloaded and stored separately.
3. Manually lock the slide in the open position.
4. Take the open end of the cable lock and direct it down through the ejection port and out through the open magazine well. Insert the open end into the lock, then turn and remove the key. Keep the key stored in a separate location from the firearm, lock and unauthorized person, and out of reach of children.



IMPROPER INSTALLATION OF CABLE LOCK

⚠ WARNING

Improper installation of the cable lock through the trigger guard can result in accidental discharge causing death, serious injury or property damage. While locking devices are an important aid to security measures, they are not a substitute for safe firearm handling and proper storage. Mechanical and locking devices can fail and/or be bypassed with enough time, knowledge, determination and equipment.



EYE AND HEARING PROTECTION

⚠ WARNING

Always wear the appropriate eye and hearing protection during shooting. Failure to do so may result in hearing loss and/or eye injury.

Always wear safety glasses that meet the requirements of the American National Standards Institute (ANSI) Z87.1 and commercially manufactured hearing protection when shooting. Additionally, those in close proximity when shooting should also wear the appropriate eye and hearing protection. All semi-automatic, magazine fed firearms forcefully eject hot, fired cartridge cases and may discharge powder, metallic particles, gas or other debris during shooting. Such discharge is normal. If you and/or others in close physical proximity do not wear appropriate eye protection, then you risk a serious, permanent eye injury up to and possibly including blindness. Hearing protection at all times during shooting is necessary to help prevent partial or permanent hearing loss.

LEAD EXPOSURE

⚠ WARNING

Discharging firearms in poorly ventilated areas, cleaning firearms or handling ammunition may result in exposure to lead and other substances known to cause birth defects, reproductive harm, cancer and other serious physical injury. Have adequate ventilation at all times. Wash hands thoroughly after exposure.

▷ SPECIFICATIONS

Caliber380 ACP, 9mm
Barrel	2.75 inches; Stainless Steel (Micro .380 ACP) 3.15-inch; Stainless Steel (Micro 9mm)
Operation	Recoil-Operated Closed Breech Single Action Semi-Automatic
Weight (with Empty Magazine)	13.4 ounces (Micro .380 ACP) 15.6 ounces (Micro 9mm)
Length	5.6 inches (Micro .380) 6.1 inches (Micro 9mm)
Frame	Aluminum
Magazine Capacity	6 or 7 rounds
Safety Devices	Thumb Safety Sear Disconnect Firing Pin Block Hammer Safety Notch



KRAL ARMS

THE MICRO FIRE CONTROL SYSTEM

The Micro family shares many attributes with KR9 models, including:

- Trigger
- Hammer
- Sear
- Disconnecter
- Firing Pin and Spring
- Firing Pin Block
- Thumb Safety

Trigger

The trigger is the mechanism which, when depressed, actuates the firing sequence of the firearm.

Hammer

The hammer, when released from the sear, will travel forward and strike the firing pin with enough force to discharge the cartridge.

Once the slide is in battery and the thumb safety off, the trigger may disengage the sear from the hammer hooks. When this happens the hammer will fall forward until it strikes the head of the firing pin. The firing pin will move forward, under spring tension, and discharge the cartridge. Once this occurs there will be a brief dwell time before the bullet leaves the barrel. Then the slide will begin to move rearward. This will drive the disconnecter out of the notch and back on the rail which disengages the sear.

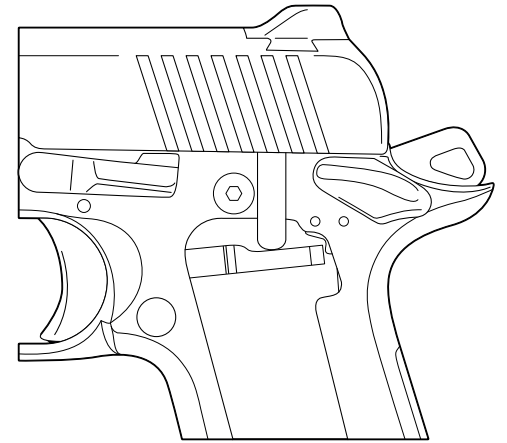
The safety notch on the hammer (commonly referred to as the half cock position) is actually a stop that is engaged if the hammer inadvertently overrides the sear and falls unintentionally or if the sear disengages improperly without the trigger being depressed.

Sear

The sear holds the hammer back until the trigger mechanism is actuated. Pulling the trigger will place increasing pressure on the sear until it disengages the hammer, allowing the hammer to fall.

Disconnecter

The disconnecter is a vertical piece that fits along the frame and under the grip surface. It rests on the trigger bar, preventing the bar from engaging the sear when the slide is out of battery. Only when the slide is in full battery does the disconnecter move up into the notch in the slide, allowing the trigger bar to engage the sear leg.



Firing Pin Block

The firing pin block feature on this firearm is actuated when the trigger is depressed. Depressing the trigger causes the firing block lobe on the ejector to cam out of the way, clearing the block to release the firing pin and allow free travel.

Thumb Safety

The thumb safety is a safety device that is activated by the use of one's thumb. When engaged in the "safe" position, the thumb safety prevents the trigger from discharging the firearm.

PERFORMANCE FEATURES

Micro Models

1. Front Sight
2. Barrel
3. Slide Stop Notch
4. Disassembly Notch
5. Slide Stop
6. Trigger Guard
7. Trigger
8. Magazine Release
9. Rear Sight
10. Hammer
11. Thumb Safety
12. Grip
13. Frame
14. Rear Slide Serrations



SAFETY FEATURES

The KR9 is equipped with several safety features which can, if properly used, help minimize the danger of an unintentional discharge.

⚠️WARNING

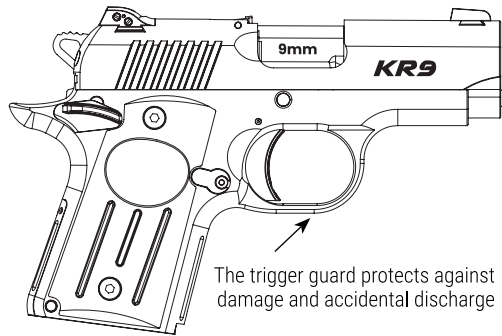
While this firearm has design features and mechanical safeties to help prevent an unintentional discharge if the firearm is dropped or hit, never exclusively rely on such features and safeties as mechanical devices can fail.

Trigger Guard

The trigger guard is a portion of the frame that surrounds the trigger, protecting it against damage and accidental discharge.

⚠️WARNING

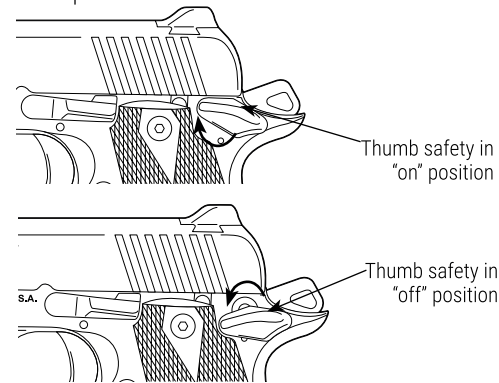
Never put your finger inside the trigger guard until you intend to fire.



Thumb Safety

The thumb safety is located on the left side of the frame, immediately forward of the hammer and, if the firearm is equipped with an ambidextrous thumb safety, on both sides of the frame. To operate, keep the firearm pointed in a safe direction, pull the slide to its most rearward position and release. Then, push the thumb safety forcefully and fully upward until it fully engages. The safety is now engaged and in the on position. This safety now engages an internal cam surface that prevents the hammer

from moving forward. You must continue to follow all safety rules (see pages 4-8) and instructions in this manual while handling the firearm. **NEVER** rely on any mechanical safety alone, as any mechanical device can fail, or you may be mistaken about the safety's position. Note that the thumb safety cannot be engaged unless the hammer is fully cocked and the slide is fully forward. To disengage the safety, keep the firearm pointed in a safe direction, move the thumb safety forcefully and fully to its downward or off position.



⚠️WARNING

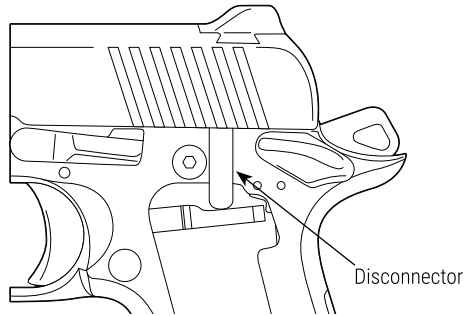
Placing the safety in an intermediate position between the "on" and "off" position can result in the user thinking the firearm is in a safe or fire position when it is not. Pulling the trigger with the safety in an intermediate position may cause the firearm to fire. Therefore, always move the safety fully to its intended position, "on" or "off," and then check to be sure it is where you want it to be. Never attempt to shoot the firearm with the safety only partially engaged, as the firearm may discharge and could result in death, serious injury or property damage.

⚠️WARNING

NEVER rely exclusively on mechanical or visual safeties, as any mechanical device can fail, or you may be mistaken about the safety's position.

Disconnecter

The disconnecter prevents a round from being fired before it can be properly seated in the chamber with the slide and barrel locked. If the slide is not fully forward, the disconnecter disengages the sear so the hammer cannot drop if the trigger is pulled. With the slide fully forward and the barrel locked, spring pressure from the trigger bar pushes the disconnecter into a recess in the slide rail, which allows the hammer to move forward when the trigger is pulled.

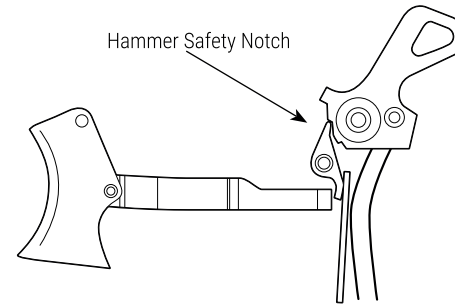


Hammer Safety Notch (Half Cock Position)

The hammer safety notch is a recess in the hammer which prevents it from traveling fully forward in the event of primary sear notch failure. It also prevents the hammer from contacting the firing pin if fingers slip from the slide or hammer while cocking the firearm if the hammer has moved past the stop. **The safety notch is not, however, a manual safety. Do not, under any circumstance, use the safety notch as a safety.**

⚠ WARNING

The safety notch is not a manual safety. Do not use the safety notch as a safety. This creates an unsafe condition that could result in damage to the sear and/or unintentional discharge that could result in death, serious injury or property damage.

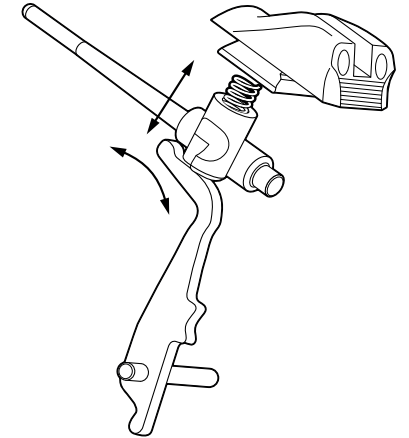


Firing Pin Block

The firing pin is held in the rearward position by spring tension. Shorter than its housing, it cannot protrude through the face of the slide and contact the primer until the spring tension is overcome by the force of the falling hammer.

⚠ WARNING

Read through the entire manual before attempting to use this product. Safe operation of this firearm is your obligation, and requires that you completely read and understand this manual in its entirety.



BASIC OPERATION

Ammunition

KR9 firearms are designed to function effectively with quality factory-manufactured ammunition in the caliber for which the firearm is chambered. The following is information to help avoid potential ammunition related problems.

1. KR9 recommends the use of high quality Turkish - American factory-made ammunition.
2. Do not oil cartridges or spray lubricants, preservatives or cleaners on cartridges or where excess spray may come into contact with cartridges. Lubricants and other foreign matter on cartridges may cause potentially dangerous ammunition malfunctions. Use only ammunition of the caliber for which a firearm is chambered.

3. **The use of reloaded, hand-loaded, remanufactured or other non-standard ammunition voids all warranties. KR9 specifically disclaims responsibility for any injury or damage whatsoever occurring in connection with, or as a result of, the use in Kral Arms firearms of faulty, reloaded, hand-loaded, remanufactured or other non-standard ammunition, or of cartridges other than those for which the firearm was originally chambered.**
4. **Improper ammunition and improperly loaded ammunition can be extremely dangerous. Severe damage to the firearm and serious injury to the shooter or to others may result. Firearms may be severely damaged and/or serious injury or death to the shooter or others may result from any condition causing excessive pressure inside**

the chamber or barrel when a round is fired. Excess pressure may be caused by obstruction in the barrel, propellant powder overloads or by the use of incorrect or improperly-assembled cartridges. In addition, the use of a dirty, corroded or damaged cartridge may lead to a burst case and consequent damage to the firearm and personal injury from the sudden escape of high-pressure propellant gas within the firearm's mechanism.

5. **Immediately stop shooting, unload the firearm as directed in this manual (see pages 35-39), and check the barrel for a possible obstruction whenever:**
 - **Experiencing difficulty in or feeling unusual resistance when chambering a cartridge, or**
 - **A cartridge does not fire (and you have waited at least 30 seconds with firearm pointing in a safe direction and cartridge still does not fire), or**
 - **The firearm fails to extract or eject a**

fired cartridge case, or

- **Unburned grains of powder are noticed in or around the firearm, or**
- **A shot sounds weak or abnormal, or recoil is less than usual**

In the above and other cases, it is possible that a bullet is lodged part way down the barrel. Firing a subsequent bullet into an obstructed barrel can cause death, serious injury or damage to the firearm.

6. Bullets may become lodged in the barrel:
 - If the cartridge has been improperly loaded without propellant powder or if the powder fails to ignite. In this case, ignition of the primer alone may push the bullet out of the cartridge case and into the barrel but usually does not generate sufficient energy for the bullet to exit the barrel.
 - If the bullet is loose or improperly seated within the cartridge case. When such a cartridge is extracted from the chamber without being

fired, the bullet may be left behind in the bore at the point where the rifling begins. Subsequent chambering of another cartridge can push the first bullet farther into the bore and create an obstructed barrel.

7. If there is any reason to suspect that a bullet is obstructing the barrel, immediately unload the firearm as directed in this manual (see pages 35-39) and lock the slide to the rear. Then, insert a cleaning rod from the barrel's muzzle all the way through to the barrel's breech face to confirm that the barrel is not obstructed. If no cleaning rod is available, disassemble (field strip) the firearm as instructed in this manual (see pages 44-47) so you can safely look through the barrel from the chamber end through to the muzzle. It is not sufficient to merely look in the chamber. A bullet may be lodged some distance down the barrel where it cannot easily be seen.

▲WARNING

If a bullet is in the bore or lodged in the barrel, do not attempt to shoot it out by using another

cartridge, by blowing it out with a blank or with a cartridge from which the bullet has been removed. Such actions can generate excessive pressure, and cause death, serious injury or property damage.

If the bullet can easily be removed with a wood or brass dowel (using hand pressure only; never "hammer" a bullet lodged in the bore) clean any unburned powder grains from the bore, chamber and mechanism before resuming shooting. If the bullet cannot be dislodged without force, contact Kral Arms Customer Service.

8. Dirt, corrosion or other foreign matter on a cartridge can impede complete chambering which in turn may cause the cartridge case to burst upon firing. The same is true of cartridges which are damaged or deformed.
9. Do not oil cartridges and be sure to always wipe the chamber clean of any oil preservative that may be present before

chambering or firing. Oil interferes with the friction between the cartridge case and chamber wall that is necessary for safe functioning, and subjects the firearm to stress similar to that imposed by excessive pressure.

10. Use quality lubricants on all moving parts of the firearm in accordance with the lubrication instructions (see pages 55-57) of this manual. Avoid excessive spraying of aerosol products, especially where it may contact or contaminate ammunition. All lubricants, and aerosol spray lubricants in particular, can penetrate cartridge primers and cause misfires. Some highly-penetrative lubricants can also get inside cartridge cases and cause deterioration of the propellant powder so that upon firing the powder may not ignite. If only the primer ignites, there is a danger that the bullet may become lodged in the barrel.

▲WARNING

Never use ammunition not specifically designated for use in your firearm. Failure to

use the correct type or caliber of ammunition may cause the firearm to jam, fail to fire, have an obstructed bore, or even generate excessive pressure, which can cause death, serious injury or property damage.

▲WARNING

If a bullet is in the bore or lodged in the barrel, do not attempt to shoot it out by using another cartridge, by blowing it out with a blank or with a cartridge from which the bullet has been removed. Such actions can generate excessive pressure, and cause death, serious personal injury or property damage.

▲WARNING

Death, serious injury or property damage can result from a bore obstruction.

▲WARNING

Do not use reloaded, hand-loaded, remanufactured or other non-standard ammunition. Use of any such ammunition voids all warranties, and can cause cause

death, serious injury or property damage. Kral Arms specifically disclaims responsibility for any damage or injury whatsoever occurring in connection with, or as a result of, the use in Kimber firearms of faulty, reloaded, hand-loaded, remanufactured or other non-standard ammunition, or of cartridges other than those for which the firearm was originally chambered.

▲WARNING

Do not oil cartridges or spray lubricants, preservatives or cleaners on cartridges or where excess spray may come into contact with cartridges. Lubricants and other foreign matter on cartridges may cause potentially dangerous ammunition malfunctions. Oil and solvent can penetrate cartridge primers and can cause misfires. To help reduce the chance of this happening, do not allow oil or solvent to remain in the firing pin channel, on the breech face or inside the magazine.

▲WARNING

Read through the entire manual before attempting to use this product. Safe operation of this firearm is your obligation, and requires that you completely read and understand this manual in its entirety.

▲WARNING

Do not use +P+ ammunition because its pressures could exceed SAAMI maximums and result in an unsafe condition that may cause death, serious injury or property damage.

NOTE

Although the Kral Arms KR9 pistol is capable of functioning with +P ammunition, a steady diet of +P ammunition will shorten the endurance life of this pistol. Use of +P ammunition may result in the need for more frequent service.

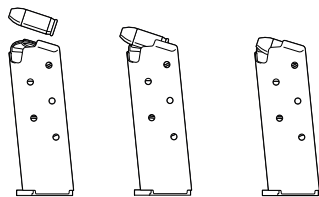
You should never shoot 9mm +P+ ammunition with your Kral Arms KR9 pistol. There are no SAAMI or CIP pressure limits on 9mm +P+ and use of this ammunition could result in serious injury. Do not use +P+ ammunition.

Loading

Keep the muzzle pointed in safe direction and follow the rules of safe firearm handling and all safety procedures at all times. Practice these steps with an unloaded firearm or dummy ammunition until you are completely familiar and comfortable with all procedures. Use live ammunition only when prepared to shoot. Only use clean, dry and high-quality factory-fresh ammunition in the firearm, of the proper caliber, that meets industry performance standards. NEVER TOUCH THE TRIGGER WHEN LOADING OR UNLOADING THE FIREARM.

1. With an empty magazine in the firearm, pull the slide back until the slide stop engages the slide stop notch, locking the slide open.
2. To remove the empty magazine, place your left hand under the grip. With the right thumb, press the magazine release button located on the left side of the frame behind the trigger. This will allow the magazine to fall free from the magazine well.

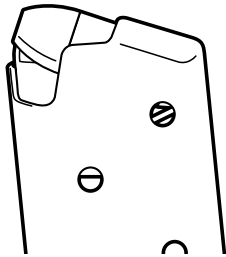
3. To load the magazine, place a cartridge at the top (open end) and then push it down and back, making sure that the rear of the cartridge is facing the rear of the magazine. Repeat until the magazine is fully loaded.



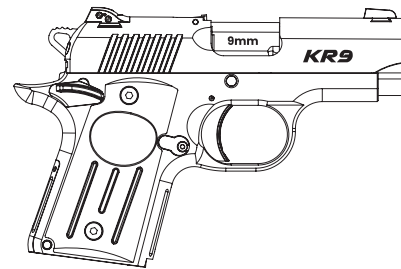
Proper orientation of cartridge when loading the magazine

NOTE

Fully seat the top round



4. Insert the top of the magazine into the magazine well at the bottom of the frame, with bullets facing forward, and push upward until the magazine is fully seated. When done properly, a click can be heard as the magazine catch engages.



Proper orientation of the magazine when loading

5. To chamber a round: grip and hold the firearm firmly in the shooting hand making sure the muzzle is pointing in a safe direction. Keep fingers outside of the trigger guard and not touching the trigger. With the thumb and forefinger of the opposite hand, grab the serrations on both sides of the rear of the slide and pull it fully rearward, then release it allowing the slide to fall forward unhindered and unassisted. Do not hold or restrict the slide as it moves to the forward position. Holding or restricting the travel of the slide may cause failure to feed or misfeed, or prevent the slide from fully closing. The firearm is now fully loaded and ready to fire. Keep the muzzle pointed in a safe direction and engage the thumb safety until ready to shoot.

⚠️WARNING

The firearm is now fully loaded and ready to fire. Keep the muzzle pointed in a safe direction and fully engage the thumb safety until ready to shoot. Always unload firearm immediately after use and before storage.

⚠️WARNING

When retracting the slide is necessary as instructed in this manual, the slide should always be pulled rearward (“retracted”) by placing your fingers on the slide serrations and pulling. Always keep your fingers out of the trigger guard and away from the trigger while retracting slide. Never put any part of your hand or body over or in front of the muzzle while retracting the slide.

⚠️WARNING

Always chamber cartridges from the magazine only. Keep your finger off the trigger and outside of the trigger guard until prepared to fire. Failure to do so could result in death, serious injury, or other property damage.

⚠️WARNING

Never use ammunition not specifically designated for use in your firearm. Failure to use the correct type or caliber of ammunition may cause the firearm to jam, fail to fire, have an obstructed bore, or even generate excessive pressure, which can cause death, serious injury or property damage.

⚠️WARNING

Do not use reloaded, hand-loaded, remanufactured or other non-standard ammunition. Use of any such ammunition voids all warranties and can cause death, serious injury or property damage. KR9 specifically disclaims responsibility for any damage or injury whatsoever occurring in connection with, or as a result of, the use in Kral Arms firearms of faulty, reloaded, hand-loaded, remanufactured or other non-standard ammunition, or of cartridges other than those for which the firearm was originally chambered.

⚠️WARNING

Read through the entire manual before attempting to use this product. Safe operation of this firearm is your obligation, and requires that you completely read and understand this manual in its entirety.

NOTE

Kral Arms KR9 firearms are designed to function best with projectiles that have a smooth contoured nose. KR9 recommends high quality, factory-fresh ammunition that meets SAAMI specifications.

Unloading

⚠️WARNING

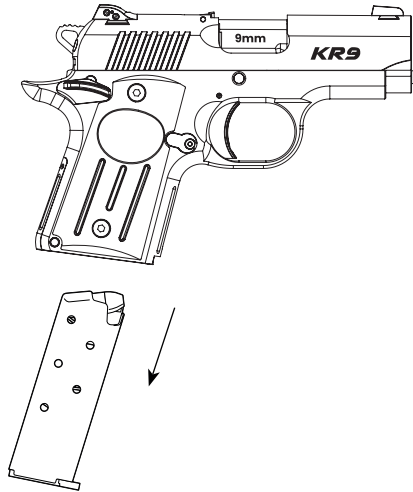
This firearm is able to fire both with and without the magazine inserted. Removing the magazine will not unload the firearm or prevent the firearm from firing a cartridge that is left or placed in the chamber. The firearm is not unloaded until the magazine is removed, the chamber is empty, and the magazine well and chamber are both checked visually to be sure they are both empty.

⚠️WARNING

When retracting the slide is necessary as instructed in this manual, the slide should always be pulled rearward (“retracted”) by placing your fingers on the slide serrations and pulling. Always keep your fingers out of the trigger guard and away from trigger while retracting slide. Never put any part of your hand or body over or in front of the muzzle while retracting the slide.

Unloading if the Firearm's Slide is Forward:

1. To unload if the firearm's slide is forward, **make sure the muzzle is always pointed in a safe direction** and your finger is outside the trigger guard and off the trigger throughout the unloading process.
2. Remove the magazine placing your left hand under the grip. With the right thumb, press the magazine release button located on the left side of the frame behind the trigger. This will allow the magazine to fall free from the magazine well.
3. Keeping your finger clear of the trigger, and being sure the muzzle is pointed in a safe direction, grasp the slide serrations and pull the slide fully to the rear. This will clear (eject) the live round from the chamber.



⚠WARNING

If the magazine is not removed prior to working (cycling) the slide to clear the chamber, any rounds left in the magazine will be chambered. This could lead to an unintentional discharge. This firearm will fire with a round chambered and the magazine removed.

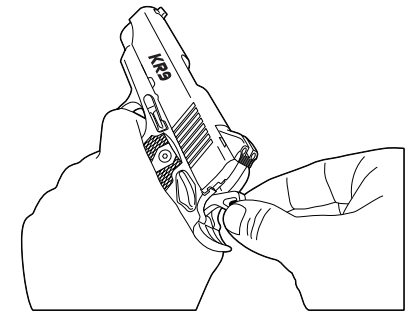
⚠WARNING

In clearing the chamber, allow the ejected round to fall freely out of the firearm, preferably onto a soft, clean surface. Do not cover the ejection port with your hand and try to catch the round as it is ejected, as serious injury could result.

4. Engage the slide stop by pulling the slide rearward while pushing the slide stop upward into the slide stop notch. Visually check to see that the chamber is clear.
5. Pointing the firearm in a safe direction, release the slide forward onto the empty chamber by pulling slide fully rearward and releasing or

by manually rotating the slide stop downward past the slide stop notch. Ease the slide closed.

6. Only after confirming the firearm is unloaded and performing all steps above, pointing the firearm in a safe direction, place your finger on the trigger and place the thumb and index finger of your opposite hand on the hammer. **Never do this with a loaded firearm.**



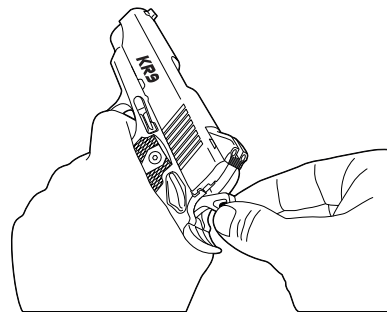
7. **Never do this with a loaded firearm.** While supporting the hammer with your thumb and index finger, pull the trigger to the rear and hold it while allowing the hammer to slowly lower to the forward position with your thumb and index finger and then release the trigger.
8. To remove any remaining rounds from the magazine, push the cartridges forward until they clear the retaining lips.
9. Store the firearm properly in an unloaded condition.

Unloading if the Firearm's Slide is Locked Open:

1. If you have fired the firearm until it is empty and the slide locks open (to the rear), to complete the unloading process, first remove the magazine.
2. Remove the empty magazine by placing your left hand under the grip. With the right thumb, press the magazine release button located on the left side of the frame behind

the trigger. This will allow the magazine to fall free from the magazine well.

3. Visually inspect to be certain the firearm's chamber and magazine well are empty.
4. Pointing the firearm in a safe direction, release slide forward onto the empty chamber by pulling slide fully rearward and releasing or by manually rotating the slide stop downward past the slide stop notch. Ease the slide closed.
5. Only after confirming the firearm is unloaded and performing all steps above, pointing the firearm in a safe direction, place your finger on the trigger and place the thumb of your opposite hand on the hammer. **Never do this with a loaded firearm.**



6. Pull the trigger to the rear and hold it while lowering the hammer to the forward position with your thumb and then release the trigger. **Never do this with a loaded firearm.**
7. To remove any remaining rounds from the magazine, push the cartridges forward until they clear the retaining lips.
8. Store the firearm properly in an unloaded condition as instructed in this manual (see pages 58-59).

⚠ WARNING

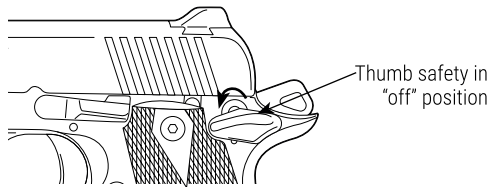
Read through the entire manual before attempting to use this product. Safe operation of this firearm is your obligation, and requires that you completely read and understand this manual in its entirety.

Firing

⚠ WARNING

Always wear eye and hearing protection when shooting. Failure to do so may result in hearing loss and/or eye injury. See page 11 for important information.

1. Point the muzzle in a safe direction at all times.
2. Load the firearm as previously indicated in this manual on pages 32-34.
3. Assume a preferred proper shooting position.
4. With finger clear of the trigger, rotate the thumb safety downward.



5. With the firearm pointed at the target: aim, place index finger on trigger and gently squeeze until the hammer is released and falls forward striking the firing pin. Be prepared for loud noise and recoil.

▲WARNING

This is a semi-automatic firearm and will eject the empty cartridge case, recock the hammer and chamber a live round. It will continue to fire one shot with each subsequent pull of the trigger until all rounds in the magazine have been fired. Be sure that your thumb, face and other body parts are safely clear from behind

the slide and firearm so they cannot be hit by the recoiling slide and firearm when the shot is fired.

6. Continue until magazine is empty and slide is locked open.
7. If all rounds are not fired and you wish to stop shooting, remove the magazine, retract the slide rearward to its farthest position, immediately engage the slide stop and follow procedures for unloading as previously described starting on pages 35-39.

▲WARNING

When retracting the slide is necessary as instructed in this manual, the slide should always be pulled rearward ("retracted") by placing your fingers on the slide serrations and pulling. Always keep your fingers out of the trigger guard and away from trigger while retracting the slide. Never put any part of your hand or body over or in front of the muzzle while retracting the slide.

▲WARNING

Never pull the trigger if the slide does not fully close to prevent a possible out of battery firing. If this happens, unload the firearm as described in this manual on pages 35-39 and examine the round that was in the chamber and check the chamber to ensure that there are no obstructions or debris in it.

▲WARNING

In case of a failure to fire, continue to hold your firearm pointed towards the target for at least 30 seconds. If after 30 seconds, the round still does not fire, a hangfire (slow ignition) may possibly be the cause. If the round has not fired after 30 seconds, remove the magazine as instructed in this manual on pages 35-39, clear the firearm while keeping the muzzle pointed in a safe direction and the ejection port turned away from your face, eyes and other body parts, and examine the ejected, unfired cartridge. If the indent from the firing pin is off center, light or absent,

contact Kral Arms Customer Service to arrange to have it examined by Kral Arms. If the firing pin indentation on the primer appears normal (compared to similar previously fired cartridges) the cartridge may be defective. Separate the cartridge from other live ammunition and empty cases, reload your firearm as instructed in this manual on pages 32-34 and resume firing.

All auto-loading firearms may occasionally experience a malfunction (jam) related to the feeding of ammunition. If a cartridge jams do not attempt to force it into the chamber. Carefully remove it by following instructions on clearing a malfunction (jam) on pages 42-43. Most malfunctions are caused by improper ammunition, an improper grip on the firearm when shooting (limp wristing), improper lubrication or a damaged magazine. To help minimize the chance of malfunctions (jams), regularly perform preventative maintenance on your firearm pursuant to the instructions in this manual. If you experienced a malfunction (jam) while using a new brand, type or lot of ammunition, try firing

another type of ammunition to determine whether the ammunition was the source of the malfunction (jam).

⚠️ WARNING

Read through the entire manual before attempting to use this product. Safe operation of this firearm is your obligation, and requires that you completely read and understand this manual in its entirety.

Clearing a Malfunction (Jam)

1. Always keep the muzzle pointed in a safe direction and be sure that the manual safety is in the on or "safe" position.
2. Remove the magazine.
3. Lock the slide open with the slide stop before attempting to clear jam (Drawing the slide fully to the rear may bring the jammed cartridge along).

4. If the cartridge can easily be removed with a wood or brass dowel (using hand pressure only; never "hammer" a jammed cartridge) clean any unburned powder grains from the bore, chamber and mechanism before resuming shooting. If the cartridge cannot be dislodged without force, contact Kral Arms Customer Service.

⚠️ WARNING

In case of a failure to fire, continue to hold your firearm pointed towards the target for at least 30 seconds. If after 30 seconds, the round still does not fire, a hangfire (slow ignition) may possibly be the cause. If the round has not fired after 30 seconds, remove the magazine as instructed in this manual on pages 35-39, clear the firearm while keeping the muzzle pointed in a safe direction and the ejection port turned away from your face, eyes and other body parts, and examine the ejected, unfired cartridge. If the indent from the firing pin is off center, light or absent,

contact Kral Arms Customer Service to arrange to have it examined by Kral Arms. If the firing pin indentation on the primer appears normal (compared to similar previously fired cartridges) the cartridge may be defective. Separate the cartridge from other live ammunition and empty cases, reload your firearm and resume firing.

All auto-loading firearms may occasionally experience a malfunction (jam) related to the feeding of ammunition. If a cartridge jams do not attempt to force it into the chamber. Carefully remove it by following instructions on clearing a malfunction (jam) on pages 42-43. Most malfunctions are caused by improper ammunition, an improper grip on the firearm when shooting (limp wristing), improper lubrication or a damaged magazine. To help minimize the chance of malfunctions (jams), regularly perform preventative maintenance on your firearm pursuant to the instructions in this manual. If you experienced a malfunction (jam) while using a new brand, type or lot of ammunition, try firing another type of ammunition to determine whether the ammunition was the source of the malfunction (jam).

⚠️ WARNING

Do not use a metal tool to attempt to remove an unfired cartridge because it could ignite the primer and fire or rupture into fragments out of the ejection port with sufficient force that could cause death, serious injury or property damage.

⚠️ WARNING

If a bullet is in the bore or lodged in the barrel, do not attempt to shoot it out by using another cartridge, by blowing it out with a blank or with a cartridge from which the bullet has been removed. Such actions can generate excessive pressure that could cause death, serious injury or property damage.

⚠️ WARNING

Wear eye protection while attempting to clear a malfunction (jam). (See page 11).

▲WARNING

Before using this firearm, carefully read this manual in its entirety, understand and follow all instructions and warnings. Failure to read this manual and understand and follow all instructions and warnings may result in an unsafe condition that could cause death, serious injury or property damage.

Disassembly (Field Stripping) & Reassembly

▲WARNING

Make certain that firearm is unloaded before beginning disassembly. Otherwise, the firearm may fire when you pull the trigger to release the hammer. This may cause death, serious injury or property damage.

Disassembly (field stripping)

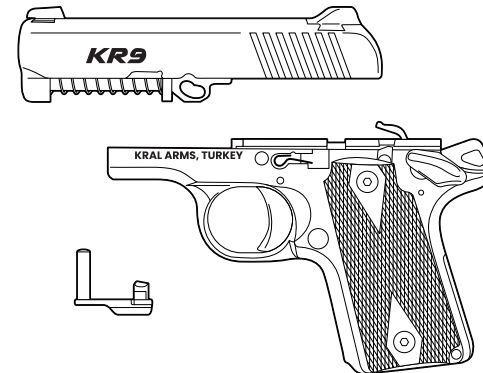
1. Keeping the firearm pointed in a safe direction, unload the firearm (see pages 35-39) and visually inspect that the magazine well and chamber are empty.

▲WARNING

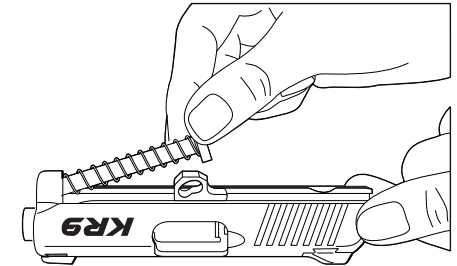
Exercise great caution as the recoil spring is under tension and can fly out with enough force to cause serious injury, property damage or loss. Wear eye protection while disassembling and assembling (see page 11).



2. Cock the hammer and move the slide toward the rear until the semi-circular tab on the back of the slide stop aligns with the semicircular disassembly notch in the bottom of the slide.
3. Holding the slide in that position, push inward on the protruding end of the slide stop pin (on the right side of the slide) and remove the slide stop from the left side.
4. Slide the slide assembly forward and off the frame.



5. Remove the recoil spring guide and spring by lifting the assembly slightly, then withdrawing it toward the rear of the slide.

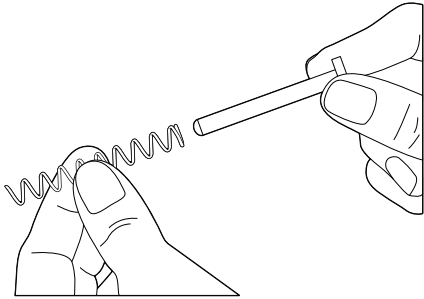


▲WARNING

Once the slide is removed DO NOT engage the thumb safety into the "ON" position. Doing so will cause the thumb safety detent plunger to spring out from the frame. The plunger is under spring tension and can fly out with enough force to cause serious injury or property damage. Wear eye protection while disassembling and assembling (see page 11).

▷ OPERATION

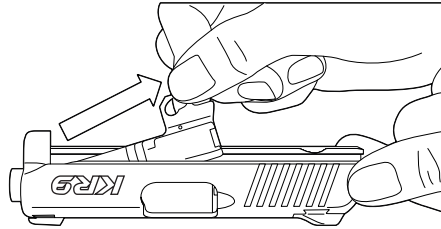
6. Remove the recoil spring from the guide rod while being careful not to bend the spring.



NOTICE

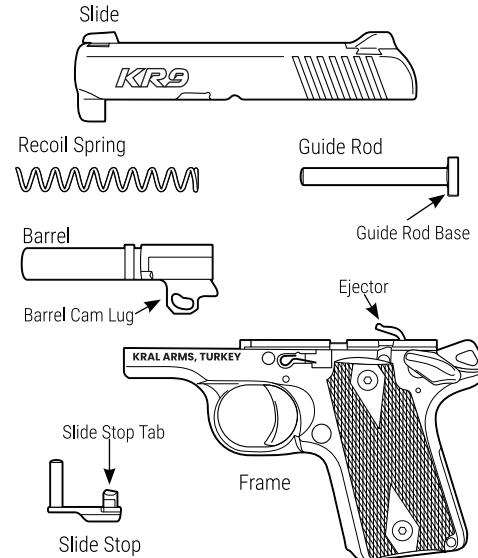
When reassembling, always slide the recoil spring down the guide rod until seated against the base of the guide rod. For recoil springs that are round wire and have one open and one closed end, always install the closed end of the recoil spring on the guide rod first so the open end of the spring is toward the muzzle. Installing the closed end toward the muzzle may result in guide rod damage and potentially reduce performance.

7. Remove the barrel from the slide by first lifting, then moving the barrel to the rear out away from the slide.



The firearm is now disassembled. No further disassembly is required for general cleaning.

Do not drop the hammer while the slide is removed from the firearm.



⚠ WARNING

Do not disassemble your firearm beyond field stripping outlined in this manual. Do not manipulate any internal components beyond what you are instructed to do in this manual. Failure to follow this WARNING may damage or affect the reliability, safety or performance of your firearm, and such failure will create a potential risk of death, serious injury or property damage to you or others, and will void the warranty.

NOTICE

Do not dry fire your Kimber Micro while the slide is removed. Doing so can cause damage to the firearm.

⚠ WARNING

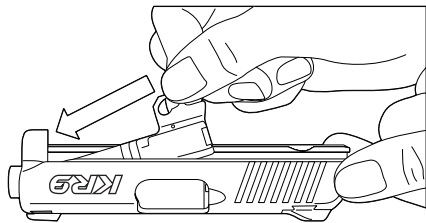
Do not alter, modify or replace any of the parts of your firearm unless this work is performed by Kral Arms Product Services. Failure to abide by this WARNING may damage or affect the reliability, safety or performance of your firearm, and such failure will void the warranty and create a potential risk of serious injury or death to you or others.

⚠ WARNING

Kimber firearms should be cleaned after each use or exposure to the elements. Even when not in use, Kimber firearms should be cleaned and lubricated every six months to protect their appearance and ensure readiness.

Assembly from Field Stripped Condition

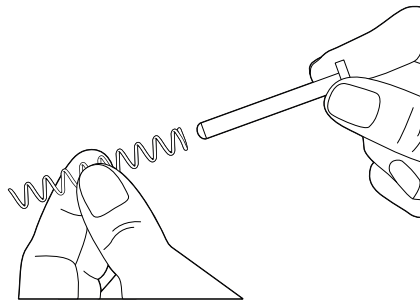
1. Take the slide in one hand with the underside of the slide facing upward.
2. Take the barrel with the cam lug facing upward and gently place the barrel down and in to the slide.



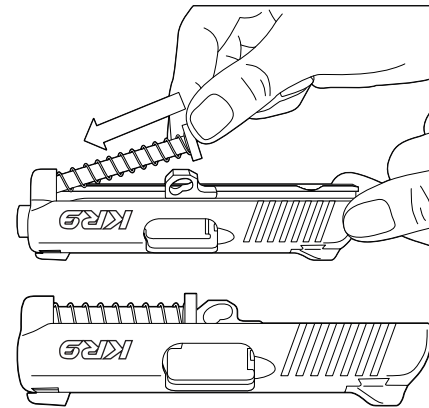
3. Place the recoil spring on to the guide rod until seated against the base of the guide rod. For round wire recoil springs with a closed end, the closed end must be installed on the guide rod first.

NOTICE

Always slide the recoil spring down the guide rod until seated against the base of the guide rod. For recoil springs that are round wire and have one open and one closed end, always install the closed end of the recoil spring on the guide rod first so the open end of the spring is toward the muzzle. Installing the closed end toward the muzzle may result in guide rod damage and potentially reduce performance.



4. Guide the recoil spring and guide rod into the slide and seat the base of the rod against the face of the barrel cam lug.

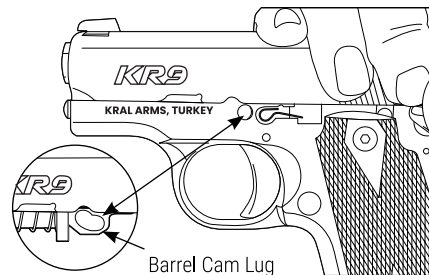
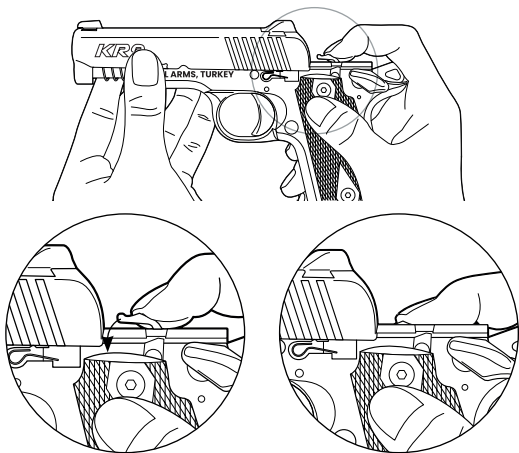


5. Place the slide assembly on to the frame rails. The ejector must be depressed just enough to clear the slide's rearward path. You may do this by pushing it gently downward, just below the slide surface and guide the slide over the ejector.

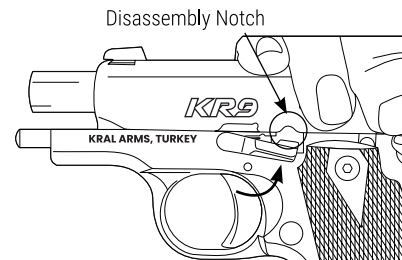
NOTICE

Failure to depress the ejector during reassembly of slide to frame may result in damage to ejector.

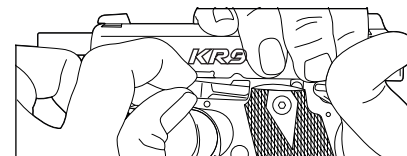
6. Move the slide rearward until the back of the slide moves slightly beyond the back of the frame and then release the slide. Spring tension will move the slide to a position slightly forward of the frame.
7. Move the slide rearward approximately 1/8" and place the slide stop into the slide stop hole. The slide stop will drop into the barrel cam lug hole.



8. While taking care to make sure the back of the slide does not scratch the frame or slide, move the slide rearward to align the semi-circular disassembly notch on the slide with the semi-circular tab on the back of the slide stop.



9. Press the slide stop inward until fully seated.



10. Pull slide to the rear and move forward ensuring the slide returns to battery. Check all functionality of the firearm anytime cleaning or maintenance is performed. See pages 54-59 regarding maintenance of this firearm.

KR9 MINI-COMP DISASSEMBLY AND INSTALLATION INSTRUCTIONS FOR PROPER FIELD STRIPPING AND MAINTENANCE

Removing Mini-Comp

⚠WARNING

Unload the firearm following the unloading procedures specified on pages 35-39.

NOTICE

It is recommended to have the slide assembled to the frame when removing and reinstalling the Mini-Comp.

1. To remove the Mini-Comp for field stripping remove both screws at the bottom of the Mini-Comp by using the supplied T10 Torx L-Key turning the screws counterclockwise.
2. Twist the Mini-Comp counterclockwise and remove Mini-Comp.
3. Clean the barrel and Mini-Comp with a small nylon brush and bore solvent. Follow the instructions in the Micro Manual to complete field stripping and perform preventative maintenance.

Reinstalling Mini-Comp

1. Start by screwing a Mini-Comp onto the threaded barrel. Ensure the parts have clean threads and are free of debris. Carefully thread the Mini-Comp, clockwise onto the barrel, making sure not to cross-thread the parts. Comp should thread smoothly and easily onto the barrel with little to no resistance.
2. Twist the mini comp onto the barrel until it bottoms out. The comp is not timed, so it will rotate past the final proper location. Once it bottoms out, rotate it counterclockwise, until the sides of the comp are flush with the sides of the slide. The screw holes should be pointed towards the underside of the firearm. While holding the comp flush, insert and hand-tighten the screws into the screw holes.
3. Place the firearm on its side using a non-marring support under the slide and Mini-Comp to help keep the sides aligned. Tighten the screws using the T10 L-Key on each screw. Alternate turning the screws clockwise until

each screw head contacts the bottom of the Mini-Comp. Confirm the Mini-Comp is aligned with the slide, then turn each screw ¼ turn clockwise. Repeat going back to the first screw and turn each an additional ¼ turn clockwise.

⚠CAUTION

DO NOT OVERTIGHTEN THE SCREWS.
Overtightening may result in breakage.

TIPS FOR IMPROVED SHOOTING

Point of Aim

KR9 fixed sight pistols are regulated to shoot point of aim at 25 yards.

Sight Adjustment

⚠ WARNING

Make sure that the firearm is unloaded (see pages 35-39) before adjusting sights.

Windage

Micro pistols sights are adjustable for windage only. Using an appropriate sight pusher, move the rear sight in the direction you wish the bullet impact to move.

Elevation

Contact Kral Arms Customer Service as different sight heights are available to make corrective action.

Ammunition Selection

KR9 firearms are designed to function effectively with quality factory-manufactured ammunition in the caliber for which the firearm is chambered. Kimber recommends the use of high quality American-made ammunition. Follow all instructions and warnings on pages 26-31 regarding ammunition.

⚠ WARNING

Never use ammunition not specifically designated for use in your firearm. Failure to use the correct type or caliber of ammunition may cause the firearm to jam, fail to fire, have an obstructed bore or even generate excessive pressure which can cause death, serious injury or property damage.

⚠ WARNING

If a bullet is in the bore or lodged in the barrel, do not attempt to shoot it out by using another cartridge, by blowing it out with a blank or with a cartridge from which the bullet has been removed. Such actions can generate excessive pressure, and cause death, serious injury or property damage.

⚠ WARNING

Do not use reloaded, hand-loaded, remanufactured or other non-standard ammunition. Use of any such ammunition voids all warranties, and can cause death, serious injury or property damage. Kimber specifically disclaims responsibility for any damage or injury whatsoever occurring in connection with, or as a result of, the use in Kimber firearms of faulty, reloaded, hand-loaded, remanufactured or other non-standard ammunition, or of cartridges other than those for which the firearm was originally chambered.

⚠ WARNING

Read through the entire manual before attempting to use this product. Safe operation of this firearm is your obligation, and requires that you completely read and understand this manual in its entirety.

⚠ WARNING

Do not use +P+ ammunition because its pressures could exceed SAAMI maximums and result in an unsafe condition that may cause death, serious injury or property damage.

NOTE

Although this Kimber firearm is capable of functioning with +P ammunition in the appropriate caliber for the firearm, a steady diet of +P ammunition may affect the wear characteristics, shorten the life and endurance of your firearm, and necessitate more frequent maintenance and replacement of parts.

PREVENTATIVE MAINTENANCE

⚠ WARNING

Always ensure that your firearm is unloaded before cleaning, and follow the rules of safe firearm handling and instructions in this manual. Wear appropriate eye protection (see page 11) when disassembling, cleaning, lubricating and assembling firearm.

Cleaning

1. Keeping the firearm pointed in a safe direction and fingers placed outside the trigger guard and away from the trigger, unload the firearm as instructed in this manual (see pages 35-39).
2. Disassemble (field strip) the firearm as instructed in this manual (see pages 44-47).
3. Always insert a cleaning rod from the chamber end of the barrel.
4. Run a patch wet with bore cleaning solvent

through the barrel and let the solution soak a few minutes. Always read and follow the manufacturer's directions for the bore cleaner being used.

5. Run a dry patch through to remove loose debris/deposits.
6. Run a wet bore brush through the chamber end of the barrel and out the muzzle, making several passes.
7. Run a dry patch to remove loose debris.
8. Repeat steps 6 and 7 a few times until the patch comes out clean.
9. Lightly oil the barrel.

NOTE

Run a dry patch through the barrel before firing to remove oil.

10. Wipe off all dirt on all bearing surfaces on the slide and frame.

11. Clean the breech face and all parts (a toothbrush or similar nylon brush works well).
12. Follow lubrication directions in this manual before reassembling.
13. Do not expose night sights to an ultrasonic cleaning environment.

NOTICE

Ultrasonic cleaning is not recommended. Damage to the finish or parts cleaned using an ultrasonic cleaner are not covered under warranty.

Lubrication

1. Use a premium lubrication product such as Shooter's Choice FP-10 or similar quality oil. Grease is not recommended. If the lubrication product contains Teflon, shake well before using as the Teflon settles.

2. Lubricate the following parts:
 - a. Slide and frame rails; 3 drops on each side.
 - b. Disconnecter on top of frame; 1 drop.
 - c. Barrel hood; 2 drops spread across surface.
 - d. Barrel locking lugs inside slide and on barrel; 1 drop on each lug.
 - e. Barrel link; 1 drop behind link.
 - f. Slide stop pin; 1 drop spread across surface.
 - g. Outside of barrel; 3 drops spread across surface.
 - h. Cocked hammer; 1 drop in between the hammer and frame.
 - i. Guide rod; 1 drop spread across surface.

3. Reassemble the firearm as instructed in this manual (see pages 48-51). Move the slide back and forth 5 – 6 times, dry fire and then wipe off any excess lubrication.
4. If the firearm has been stored with oil in the barrel and chamber, push a dry patch through the barrel before firing.
5. The key to proper firearm lubrication is moderation. Too little and the firearm may not function properly or be subject to premature wear. Too much and there is the risk of attracting dirt and debris to the bearing surfaces causing premature wear and potential functioning problems. All metal parts including stainless steel should be lightly lubricated.
6. Silicone-impregnated cloths are also recommended as an option after handling.

⚠ WARNING

Discharging firearms in poorly ventilated areas, cleaning firearms or handling ammunition may result in exposure to lead and other substances known to cause birth defects, reproductive harm, cancer and other serious physical injury. Have adequate ventilation at all times. Wash hands thoroughly after exposure.

⚠ WARNING

Wear appropriate eye protection (see page 11) when disassembling, cleaning, lubricating, and assembling firearm.

⚠ WARNING

Do not oil cartridges or spray lubricants, preservatives or cleaners on cartridges or where excess spray may come into contact with cartridges. Lubricants and other foreign matter on cartridges may cause potentially dangerous ammunition malfunctions. Oil and solvent can penetrate cartridge primers and

can cause misfires. To help reduce the chance of this happening, do not allow oil or solvent to remain in the firing pin channel, on the breech face or inside the magazine.

⚠ WARNING

Do not place lubricant into the firing pin channel as oil there may slow the movement of the firing pin, causing a misfire.

⚠ WARNING

Read through the entire manual before attempting to use this product. Safe operation of this firearm is your obligation, and requires that you completely read and understand this manual in its entirety.

NOTE

For long-term storage or in high-humidity, damp or salty areas, a premium rust preventative such as Shooter's Choice Rust Prevent should also be used.

Recoil Spring Replacement Schedule

Recoil springs are critical to the proper functioning of your KR9 Micro. KR9 recommends that you replace the recoil spring after every 1,000 rounds for .380 ACP models and 1,500 rounds for 9mm models. If you use +P ammunition you may need to replace the spring more frequently to maintain proper function.

NOTICE

Always slide the recoil spring down the guide rod until seated against the base of the guide rod. For recoil springs that are round wire and have one open and one closed end, always install the closed end of the recoil spring on the guide rod first so the open end of the spring is toward the muzzle. Installing the closed end toward the muzzle may result in guide rod damage and potentially reduce performance.

Mainspring & Firing Pin Spring Replacement Schedule

Replace every 5,000 rounds.

LONG-TERM STORAGE

1. Follow unloading, cleaning and lubrication instructions from this manual.
2. Apply a premium rust preventative product such as Shooter's Choice Rust Prevent and follow the manufacturer's instructions for proper application.
3. Select a safe and secure location for storage, one that follows the instructions and recommendations of this manual and all applicable laws, including but not limited to use of the cable lock provided with this firearm (see pages 9-10 for instructions regarding the cable lock). If possible, do not store the firearm in the factory-supplied black plastic case, other gun case or holster as moisture may collect and cause damage.
4. If you plan on storing the firearm for extended periods of time between uses, clean the firearm per instructions in this manual on pages 54-55 every six months.

⚠ WARNING

Always store this firearm with the chamber empty, unloaded and with the hammer forward and released on an empty chamber. Failure to do so could result in an unintentional discharge.

⚠ WARNING

Keep out of reach of children. For increased safety, firearms should be stored unloaded in a location that is secure and inaccessible to children and any other unauthorized person, with ammunition locked securely in a different location.

⚠ WARNING

Improper installation of the cable lock through the trigger guard can result in an unintentional discharge causing death, serious injury or property damage. While locking devices are an important aid to security measures, they are not a substitute for safe firearm handling and proper storage. Mechanical and locking devices can fail and/or be bypassed with enough time, knowledge, determination and equipment.



KRAL ARMS

PRODUCTS

Type : _____
Brand : _____
Model : _____
Serial No : _____
Caliber : _____
Barrel length : _____

Delivery Date and Place : _____
Maximum Date Period : 20 Day
Warranty Period : 2 Years

CERTIFICATE OF GUARANTEE.

THE SELLER'S COMPANY

Degree : _____
Adress : _____
Tel/Fax : _____
Invoice Date : _____
Invoice No : _____
Stamp & Signature : _____

THE BUYER'S

Name : _____
Surname : _____
Adress : _____
Tel : _____
Identity No: _____

Manufacturer / Exporter Company

KRAL ARMS
Tel: 0332 524 68 70 Ppx : 0332 524 68 71
www.kralarms.com
P.K. 42720 - Beyşehir/KONYA



KRAL ARMS



KRAL ARMS

AS WE PROMISED.

OBTAINING *KR9* REPLACEMENT PARTS

▲WARNING

Only use KR9 replacement parts. Use of aftermarket parts can create unsafe conditions and will void the warranty. KR9 replacement parts are available at Kral Arms Master Dealers or at <http://kralarms.com>.

CUSTOM SHOP TREATMENTS

The KR9 Custom Shop™ can quickly and professionally modify or personalize any KR9 pistol. Services include installation of night sights, custom finishes, part replacement, checkering, melts, custom parts and tuning. For complete information, visit kralarms.com.

CUSTOMER SERVICE

Kral Arms Customer Service

+90 332 524 68 70

export@kralarms.com

▲WARNING

This product was designed to function properly in its original condition. Do not alter any part or add or substitute parts or accessories not made or authorized for use by KralArms. Any such alteration could render the firearm unsafe, and will void the warranty.

▲WARNING

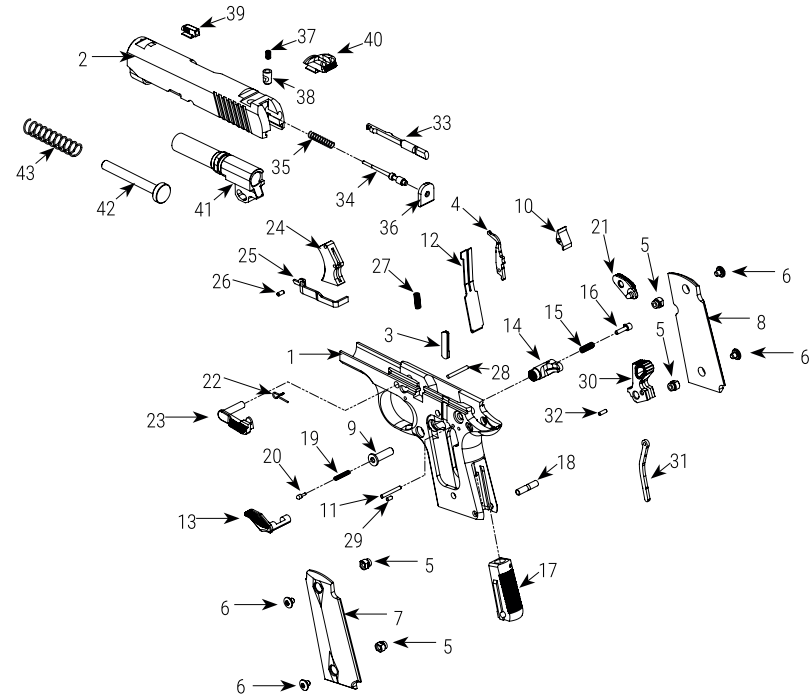
Do not alter, modify or replace any of the parts of your firearm unless this work is performed by Kral Arms Product Services. Failure to abide by this WARNING may damage or affect the reliability, safety or performance of your firearm, and such failure will create a potential risk of death, serious injury or property damage, and void the warranty.

▲WARNING

Read through the entire manual before attempting to use this product. Safe operation of this firearm is your obligation, and requires that you completely read and understand this manual in its entirety.

DIAGRAM AND PARTS LIST: KR9

- | | | |
|---------------------------------|-------------------------------------|-----------------------------|
| 1. Frame | 18. Mainspring Housing Pin Retainer | 34. Firing Pin |
| 2. Slide | 19. Safety Plunger Spring | 35. Firing Pin Spring |
| 3. Disconnecter | 20. Safety Plunger | 36. Firing Pin Stop |
| 4. Ejector | 21. Right Side Ambidextrous Safety | 37. Firing Pin Block Spring |
| 5. Grip Screw Bushing | 22. Slide Stop Spring | 38. Firing Pin Block |
| 6. Grip Screw | 23. Slide Stop | 39. Front Sight |
| 7. Grip (Left) | 24. Trigger Pad | 40. Rear Sight |
| 8. Grip (Right) | 25. Trigger Bar | 41. Barrel |
| 9. Hammer Pin | 26. Trigger Bar Pin | 42. Guide Rod |
| 10. Sear | 27. Trigger Spring | 43. Recoil Spring |
| 11. Sear Pin | 28. Trigger Pin | |
| 12. Sear Spring | 29. Over Rotation Pin | |
| 13. Thumb Safety | 30. Hammer | |
| 14. Magazine Release | 31. Hammer Strut | |
| 15. Magazine Release Spring | 32. Hammer Strut Pin | |
| 16. Magazine Release Lock | 33. Extractor | |
| 17. Mainspring Housing Assembly | | |



SAFETY FIRST

1. Always keep the firearm pointed in a safe direction.
2. Always keep your finger off the trigger until ready to shoot
3. Always keep the firearm unloaded until ready to use.
4. Always treat the firearm as if it is loaded and ready to discharge.
5. Always follow rules of safe firearm handling.
6. Read and understand this manual in its entirety prior to using this firearm.
7. Kral Arms strongly recommends that every person receive firearms safety training prior to using this or any other firearm.



KRAL ARMS

AS WE PROMISED.



KRAL ARMS

Now, the Stage is Kral's

AS WE PROMISED.



Scan for Details

Beysahir / Konya / Turkey



[/www.kralarms.com](http://www.kralarms.com)



[/kralarms](https://www.facebook.com/kralarms)



[/kralarmstr](https://www.instagram.com/kralarmstr)



[/kralarmsofficial](https://www.youtube.com/kralarmsofficial)



KRAL ARMS

www.kralarms.com