

# PCP

## AIR RIFLES

**Puncher Mega**

**Puncher Nish**

**Puncher Np-01**

**Puncher Np-03**

**Puncher Mortal**

**Puncher Mortal X**

**Puncher Reborn**



# KRAL ARMS



## KRAL ARMS

Welcome - About Your Airgun.....	2
Warning.....	3-4
General Parts Explanation.....	5-6
Demond and General Information.....	7-9
Dissamble The Barrel.....	10
Filling The Magazine.....	11
Mechanism Parts and Part Numbers.....	12-21
Mega.....	12
Nish S.....	14
Np-01.....	16
Mortal.....	18
Reborn.....	20
Warranty Certificate.....	22



## KRAL ARMS WARNING!

We would like you to know how happy we are to see you in this huge family as a user of puncher. Now you will be able to benefit from the services that the members of this family have benefited for many years and also you will be able to use your airgun confidently and peacefully for many years by paying attention to the instructions and taking into consideration this handbook as an integrated part of your airgun.

Using and maintaining your airgun as per the information included in this handbook will help you use your airgun hassle-free and safely. Even if the warranty expires, you can share the problems in your airgun with us or give your feedback to us while you join us in festivals that are organized each year all to your distributors. Since we know Your airgun the best after you and we want to take care of it. We would like to remind you that our after-sales team is waiting for you in order to answer your questions and assist you.

## ABOUT YOUR AIRGUN

All of the components of your airgun have been designed and tested to meet all of the international standards by fully automatic cnc machines using Turkish and Italian steels at the highest quality standards of Kral Arms.

Note : This user manual has been prepared to cover all puncher models. You may find remarks and specifications that do not belong to your airgun.

The information and details in this handbook are valid for the period during which this was printed and 'Kral Silah San.' reserves The right to change or cancel the details related to any model without any obligation or warning.

Hope you enjoy your experience  
Kral Arms



## KRAL ARMS WARNING!



### CAUTION !

THIS IS NOT A TOY. ONLY PERSONS OF AT LEAST 18 YEARS OLD WITH MENTAL AND PHYSICAL CAPABILITY CAN USE IT



### CAUTION !

IN CASE OF SURFACE PARALLEL OR SKY SHOOT, YOU MAY CAUSE DAMAGE TO 1000 yards (1km) AROUND YOU WITH THE EFFECT OF THE ACCELERATION OR FREE FALL EFFECT.



### CAUTION !

YOUR AIRGUN'S SAFETY SHOULD ALWAYS BE ON (SAFETY ACTIVE) AND YOU SHOULD TURN OFF THE SAFETY ONLY RIGHT BEFORE THE IDEAL SOURCE LINE TO THE TARGET. (SAFETY PASSIVE)



### CAUTION !

CHARGE WITH THE AIR THAT YOU ARE SURE TO HAVE BEEN DRIED WITH ELECTRICAL OR GRANULE TYPE DRYER. IN CASE OF FILLING WITH ORIGINAL KRAL PUNCHER HAND PUMP AVOID RAPID MOVEMENTS. OTHERWISE, LOWER SIDE OF THE PUMP MAY GO OUT OF THE IDEAL WORKING TEMPERATURE AND SWEAT WHICH WILL CAUSE HUMID CHARGING OF YOUR AIR TUBE.



### CAUTION !

DO NOT FORCE YOUR AIR TANK TO OPEN (DEMOUNT). DO NOT USE ANY TANK THAT HAS BEEN TAMPERED DUE TO FALLING OR VARIOUS REASONS.



### CAUTION !

OBEY THE LAWS, REGULATIONS AND RULES THAT ARE IN PLACE IN THE RELEVANT COUNTRY, PROVINCE, DISTRICT OR HUNTING GROUND WHETHER PRIVATE OR PUBLIC.



## KRAL ARMS WARNING!

### Always Remember The Following Precautions

- Try not to go shooting alone.
- Never use the airgun if you are intoxicated or under the influence of drugs.
- There is high pressure air inside your shotgun that is charged with the logic of squeezing
- Even if there is no pressure sign on the manometer, never disassemble the pressurized tube!
- Bring the safety on before interrupting your shotgun in any way and never point the barrel to yourself under any circumstance
- Only use cotton dry cloth to clean any dirt inside the barrel for various reasons (humidity, dust, etc.)
- You may observe that the groupment performance of the shotgun has reduced if you interrupt your shotgun due to dirt barrel outside the instructions given by the manufacturer (hard objects, cleaning with gear type mineral and synthetic oils, etc.) and cause your shot to go out of the warranty.
- In your shotgun, some of the parts work with larger tolerances while others are narrower. For this reason, use only synthetic or mineral base oil with high viscosity not creating filling effect.
- Your shotgun has been designed not to cause any sliding effect with corrosion.
- Various acids and bleaches inside the anti-corrosive oils might damage the tightness equipment and some of the covered surfaces.
- Calculate the areas where pellet might reach in each of your shoot on or off the target. This is extremely important for the safety of yourself and also living and non-living objects around you.
- Do not run or jump with a loaded shotgun. Your barrel should always point a safe distance while jumping through the ditches



- Always keep your shotgun at safety
- In case of long storage of your shotgun, always keep your shotgun dry-fired. (The spring type equipment that are always kept tight might undergo tightening or reduction in case of long storage)
- We do not recommend disassembling and reassembling the shotgun unless necessary. Do not disassemble or replace the original parts of your shotgun under any circumstance. Please contact the factory, general distributor or the authorized services of Kral Arms throughout Turkey.
- We especially recommend you to act as if your shotgun is always loaded. Even if you are in an empty land or forest, make sure that safety is on and your barrel points a safe direction. The owner of the shotgun shall be responsible for any damage.

**THIS REMINDER HAS BEEN WRITTEN TO KEEP YOU AWAY FROM MISTAKES  
THAT MIGHT CAUSE INJURIES AND EVEN DEATH.**



## CAUTION!

### DANGER OF EXPLOSION!

THE AIR TANK POSES THE **EXPLOSION RISK** IF IT GETS HEATED SUBJECT TO SUNTRAY FOR EXTENDED PERIOD OF TIME.  
(Max. + 40° / Min. -05°)

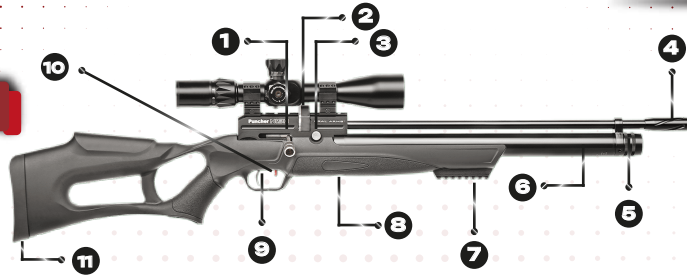
OTHERWISE, THE AIRGUN SHOULD BE LEFT TO COOL DOWN IN A COOL ENVIRONMENT

RECOMMENDED TO BE TRANSPORTED UNDER MAXIMUM 80 BARS PRESSURE DURING FLIGHTS.

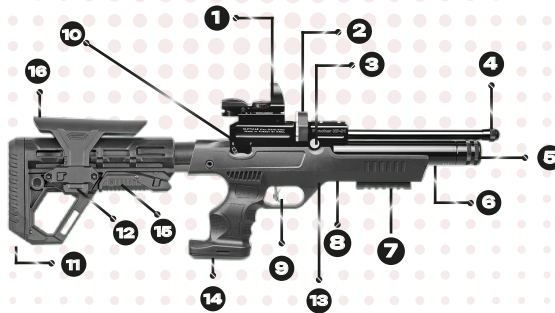


## KRAL ARMS GENERAL PARTS EXPLANATION

### NISH S



- 1 Manual cocking with side ergonomic jimmy
- 2 Otomatic or new generation mechanically indexed magazine
- 3 Adjustable air pressure valve
- 4 Barrel cawn and outhur protection
- 5 Filling Side
- 6 Air Tank
- 7 Bipod screw and picatinny
- 8 Manometer
- 9 Squeeze distance and clearance adjustable trigger
- 10 Manuel safety
- 11 Adjustable butt-pad

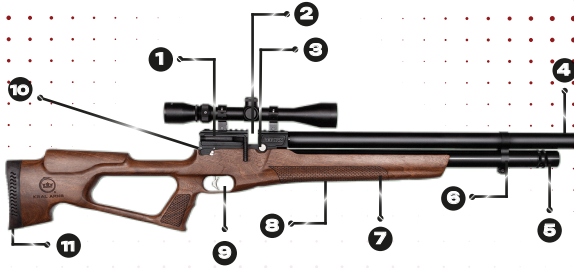


### NP-01

- 1 Reddot
- 2 Otomatic or new generation mechanically indexed magazine
- 3 Adjustable air pressure valve
- 4 Barrel cawn and outhur protection
- 5 Filling Side
- 6 Air Tank
- 7 Bipod screw and picatinny
- 8 Manometer
- 9 Adjustable trigger
- 10 Manuel safety
- 11 Adjustable butt-pad
- 12 Cheek piece adjust button
- 13 Receiver fixing screw
- 14 Telescopic stock
- 15 Telescopic stock adjust button
- 16 Adjustable cheek piece



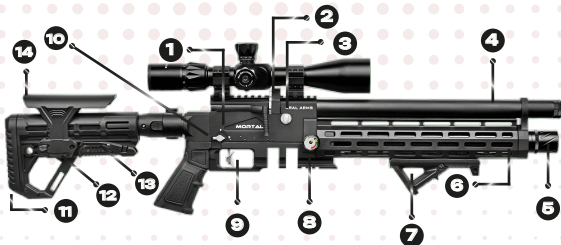
# KRAL ARMS



- 1** Manual cocking with side ergonomic jimmy
- 2** Otomatic or new generation mechanically indexed magazine
- 3** Adjustable air pressure valve
- 4** Barrel crawn and outhter protection
- 5** Filling Side
- 6** Air Tank
- 7** Bipod screw and picatinny
- 8** Manometer
- 9** Squeeze distance and clearance adjustable trigger
- 10** Manuel safety
- 11** Adjustable butt-ped



- 1** Manual cocking with side ergonomic jimmy
- 2** Otomatic or new generation mechanically indexed magazine
- 3** Adjustable air pressure valve
- 4** Barrel crawn and outhter protection
- 5** Filling Side
- 6** Air Tank
- 7** Bipod screw and picatinny
- 8** Manometer
- 9** Squeeze distance and clearance adjustable trigger
- 10** Manuel safety
- 11** Butt-pad



- 1** Manual cocking with side ergonomic jimmy
- 2** Otomatic or new generation mechanically indexed magazine
- 3** Adjustable air pressure valve
- 4** Shrouded barrel
- 5** Filling Side
- 6** Air Tank
- 7** Bipod screw and picatinny
- 8** Nanometer
- 9** Squeeze distance and clearance adjustable trigger
- 10** Manuel safety
- 11** Butt-pad
- 12** Cheek piece adjust button
- 13** Telescopic stock adjust button
- 14** Adjustable cheek piece



## KRAL ARMS

### DEMOND AND GENERAL INFORMATION

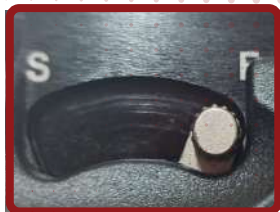
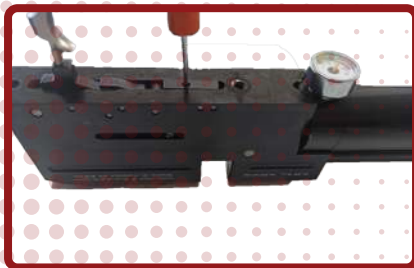


### SEPARATING THE BODY

The carbine stock ( monoblock ) side of your shotgun has been balanced from center of gravity, positioned not to be subject to pressure or impact and dixed with a single allen head screw.You can remove easily with the help of 4 allen.

### TRIGGER ADJUSTMENT

You can adjust the trigger movement distance without disassembling the shotgun but only through the bellow of the trigger guardrail(see picture 1) and adjust the hammer falling through inner trigger set screw



### SAFETY

Safety "F" position means ready to fire.  
Safety "S" position means not ready to fire.







## KRAL ARMS

### DEMOND AND GENERAL INFORMATION



#### **MAGAZINE PLACEMENT**

The new generation mechanic magazine can be attached and removed from the right side. The magazine that has run out of pellet will not permit new charge.

#### **MANOMETER**

Manometer might vary based on the puncher models. (air tank vertical to the front or body side).



#### **POWER ADJUSTMENT**

Barrel tightness o rings are three totally and 2 of them are outside while 1 is inside. In case of deformation, please replace with the spare o ring that are available inside the packaging.



## KRAL ARMS

### DEMOND AND GENERAL INFORMATION



### FILLING THE AIR TANK

The filling outlet is located at the tip of the air tube. Assemble the hose with the filling jack that is provided free of charge inside the box as a standard. If you hear sound of air during the first filling, move the jack and enable the orings to be air-proof. (if the leakage continues, o rings might be deformed)

### SINGLE SHOT ASSISTANT

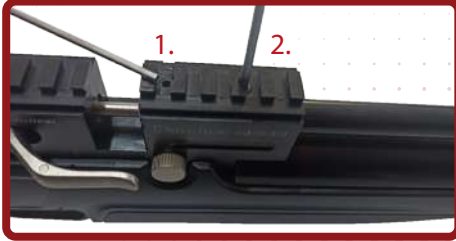
Single shot kit is a part that can be attached and removed only from the right side. 4.5mm (0.177) can be used with different sizes of kit while 5.5mm (0.22) and 6.35mm (0.25) can use the same kit.





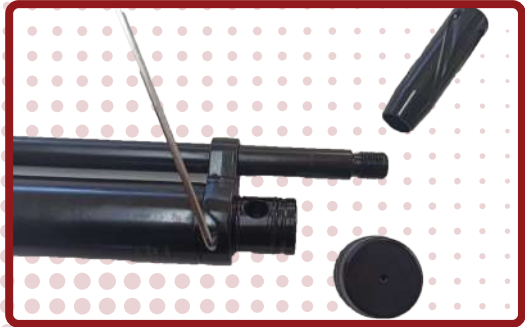
## KRAL ARMS

### DISSAMBLE THE BARREL



Dissamble the assemble screw of the receiver.(screw1)

Dissamble the assemble screw of the receiver(screw2).  
Remove the barrel slowly.



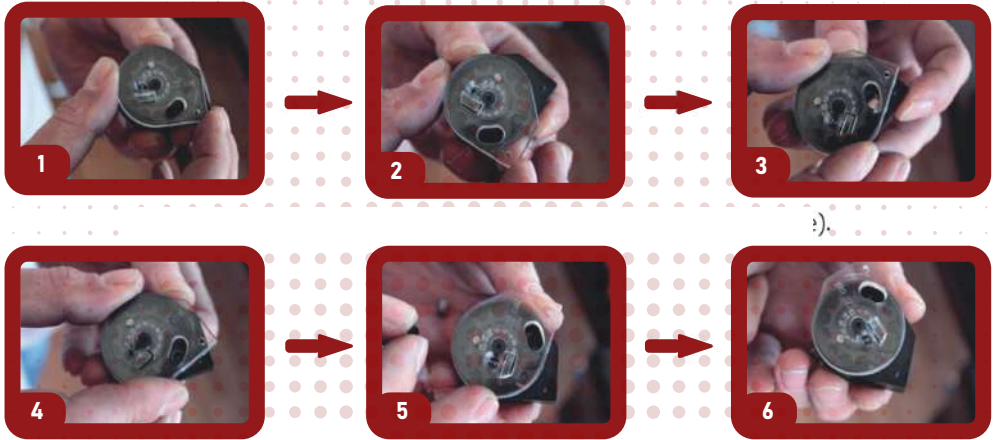
Barrel tightness o rings are three totally and 2 of them are outside ( ② ) ( ③ ) while 1 inside.( ① ). In case of deformation , please replace with the spare o.rings that are available inside the packaging.



## KRAL ARMS

### FILLING THE MAGAZINE

Rotate the idle front cover in the direction of the arrow ( clockwise).



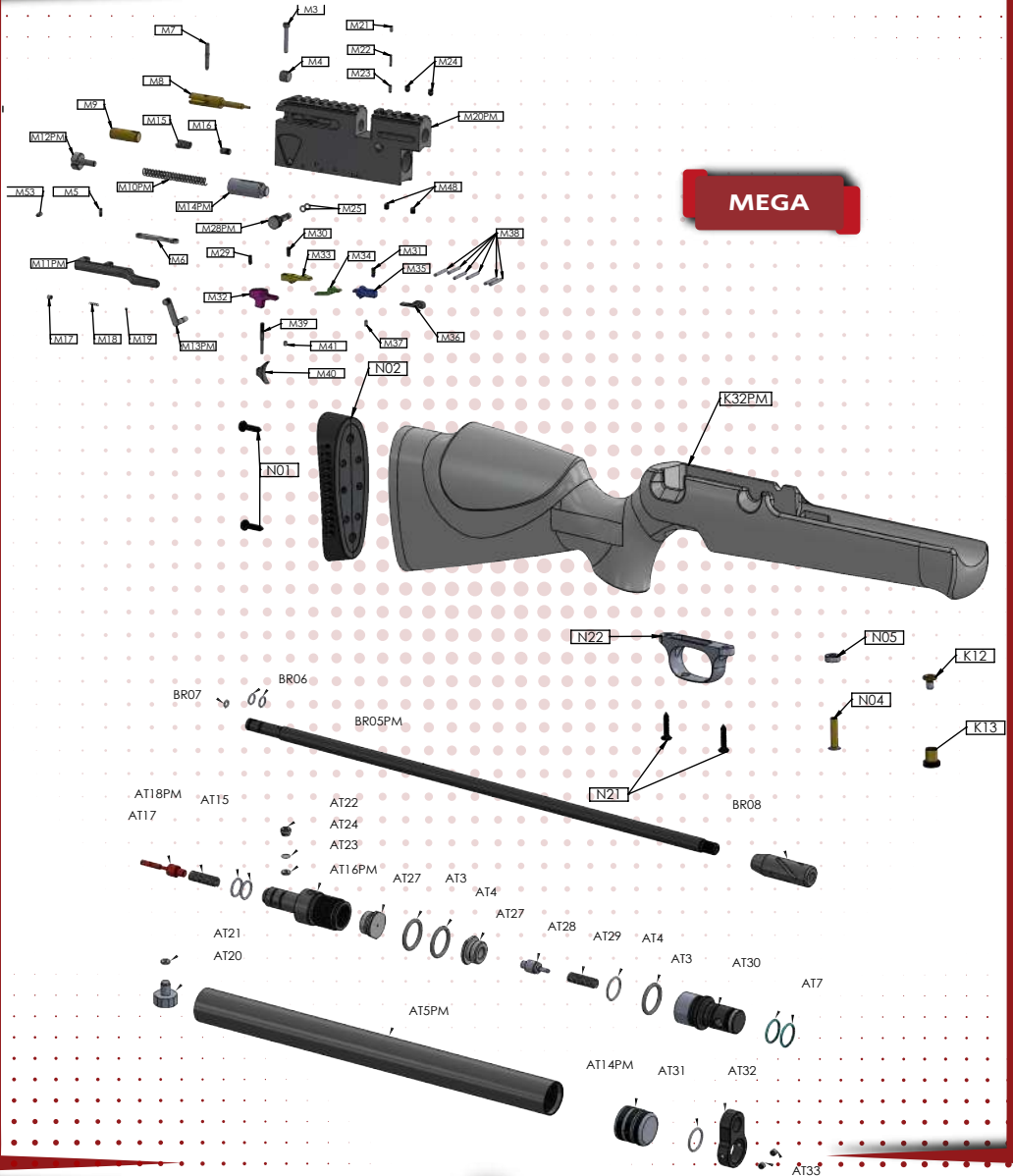
Once the glass cover hits are last point, prevent the pushing force of the spring and switch the Pellet to first bed(see picture 4).Once the first pellet prevents the rotation of the inner turret, move the glass cover on the contrary direction and fill the turret.

**Note:** It will prevent the assembly of turret system, do not force.  
To watch the video, please visit [www.kralarms.com](http://www.kralarms.com)



# KRAL ARMS

## MECHANISM PARTS AND PART NUMBERS





# KRAL ARMS

## MECHANISM PARTS AND PART NUMBERS

### MEGA

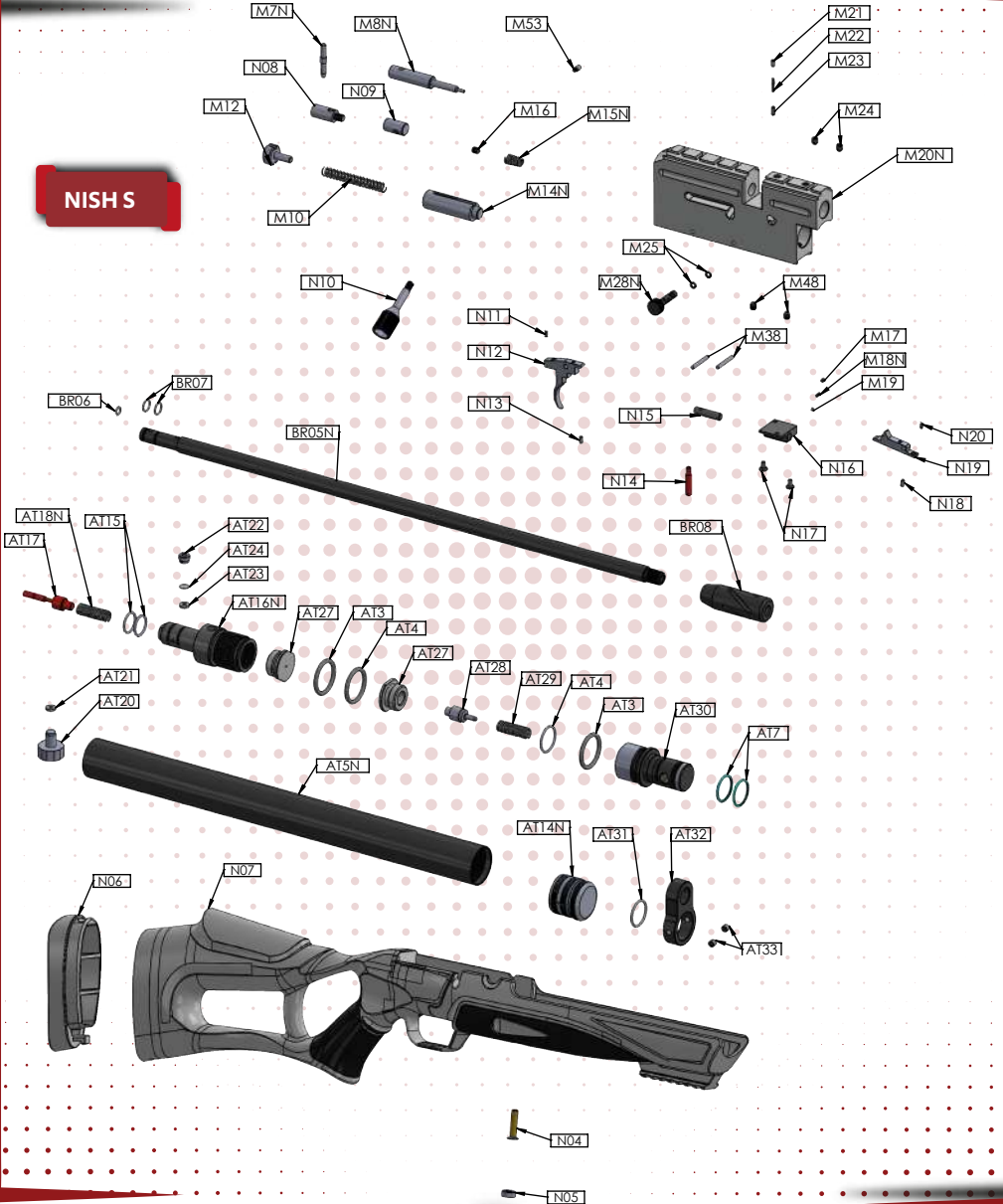
N01	Butt Pad Screw	M32	Trigger
N02	Butt Pad	M33	Inner Hammer
N04	Mega Receiver Fixing Screw	M34	Loading Part
N05	Mega Receiver Fixing Pulley	M35	Inner Hammer Holder
N21	Trigger Guard Screw	M36	Inner Hammer Cover
N22	Trigger Guard	M37	Inner Hammer Adjustment Set-Screw
K12N	Picatinny Assemble Nut	M38	Trigger Group Fixing Pins
K13N	Picatinny Assemble Screw	M39	Trigger Wire
K32PM	Mega Walnut Stock	M40	Trigger
M3	Cocking Lever Fixing Screw	M41	Trigger Set-Screw
M4	Cocking Lever Fixing Nut	M48	Valve Block Fixing Set-Screw
M5	Cocking Lever Combination Screw	M53	Hammer to Receiver Screw
M6	Cocking Lever Connecting Part	BR05PM	Barrel
M7	Connecting Pin	BR06	Barrel Inner O-ring
M8	Needle	BR07	Barrel Outer O-ring
M9	Needle Connection Part	BR08	Flash Hider
M10 PM	Hammer Spring	AT3	Air Tank Front Valve Block O-ring(1)
M11 PM	Cocking Lever	AT4	Air Tank Front Valve Block O-ring(2)
M12 PM	Hammer Power Setting Nut	AT5PM	Air Tank Pipe
M13 PM	Safety	AT7	Filling Port Valve Block O-ring
M14PM	Hammer	AT14PM	Filling Port Block Cover
M15	Needle Connection Part Spring	AT15	Valve Block O-Ring
M16	Needle Spring Set-Screw	AT16PM	Valve Block
M17	Safety Set-Screw	AT17	Long Valve
M18	Safety Spring	AT18PM	Long Valve Spring
M19	Safety Ball	AT20	Manometer
M20PM	Receiver	AT21	Manometer Lower O-Ring
M21	Adjustable Power Set-Screw	AT22	Safety FixinG Part
M22	Adjustable Power Spring	AT23	Safety Lower O-Ring
M23	Adjustable Power Pin	AT24	Safety Pulley
M24	Receiver Set-Screw	AT27	Valve Block Cover
M25	Adjustable Power O-Ring	AT28	Short Valve
M28PM	Adjustable Power Button	AT29	Short Valve Spring
M29	Trigger Spring	AT30	Filling Port Block
M30	Inner Hammer Spring	AT31	Barrel Ring O-Ring
M31	Locking Spring	AT32	Tight Ring
		AT33	Tight Ring Set-Screw



# KRAL ARMS

## MECHANISM PARTS AND PART NUMBERS

**NISH S**





# KRAL ARMS

## MECHANISM PARTS AND PART NUMBERS

### NISH S

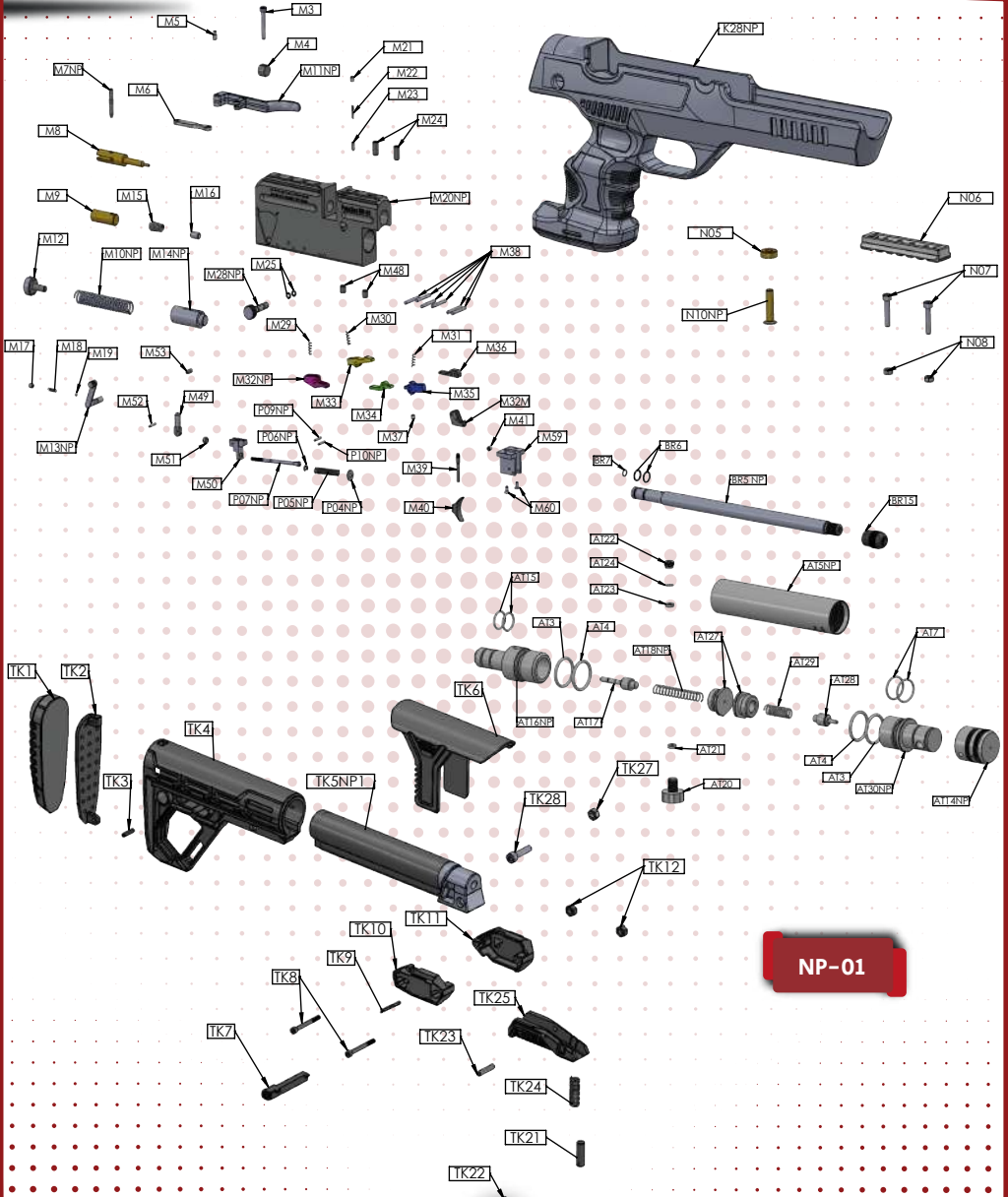
N01	Butt Pad Screw	M21	Power Setting Set-Screw
N02	Butt Pad	M22	Power Setting Spring
N03	Nish Wood Stock	M23	Power Setting Pin
N04	Receiver fixing Screw	M24	Receiver Set-Screw
N05	Receiver Fixing Pully	M25	Power Setting O-Ring
K12N	Picatinny Assemble Nut	M28N	Power Setting Button
K13N	Reciver Fixing Screw	M38	Trigger Group Fixing Pin
N04	Receiver fixing Screw	M48	Valve Block Fixing Set-Screw
N05	Receiver Fixing Pully	M53	Hammer to Receiver Screw
NO6	Synthetic Stock	BR05N	Barrel
NO7	Synthetic Stock	BR06	Barrel Inner O-ring
NO8	Connecting Pin Part	BR07	Barrel Outer O-ring
NO9	Cocking Lever Part	BR08	Flash Hider
N10	Cocking Lever	AT3	Air Tank Front Valve Block O-ring(1)
N11	Trigger Spring	AT4	Air Tank Front Valve Block O-ring(2)
N12	Trigger	AT5N	Air Tank Pipe
N13	Trigger Setting Set-Screw	AT7	Filling Port Valve O-Ring
N14	Safety Wire	AT14N	Filling Port Block Cover
N15	Safety	AT15	Valve Block O-Ring
N16	Safety Part	AT16N	Valve Block
N17	Safety to Receiver Fixing Screw	AT17	Long Valve
N18	Inner Hammer Setting Set-Screw	AT18N	Valve Spring
N19	Inner Hammer	AT20	Manometer
N20	Inner Hammer Spring	AT21	Manometer Lower O-Ring
M7N	Connecting Pin	AT22	Safety Part
M8N	Needle	AT23	Safety Lower O-Ring
M10	Hammer Spring	AT24	Safety Pully
M12	Hammer Power Setting Nut	AT27	Valve Block Cover
M14N	Hammer	AT28	Short Valve
M15N	Needle Spring	AT29	Short Valve Spring
M16	Needle Spring Set-Screw	AT30	Filling Port Block
M17	Safety Set Screw	AT31	Barrel Ring O-Ring
M18N	Safety Spring	AT32	Tight Ring
M19	Safety Ball	AT33	Tight Ring Set-Screw
M20N	Receiver		





# KRAL ARMS

## MECHANISM PARTS AND PART NUMBERS



**NP-01**



# KRAL ARMS

## MECHANISM PARTS AND PART NUMBERS

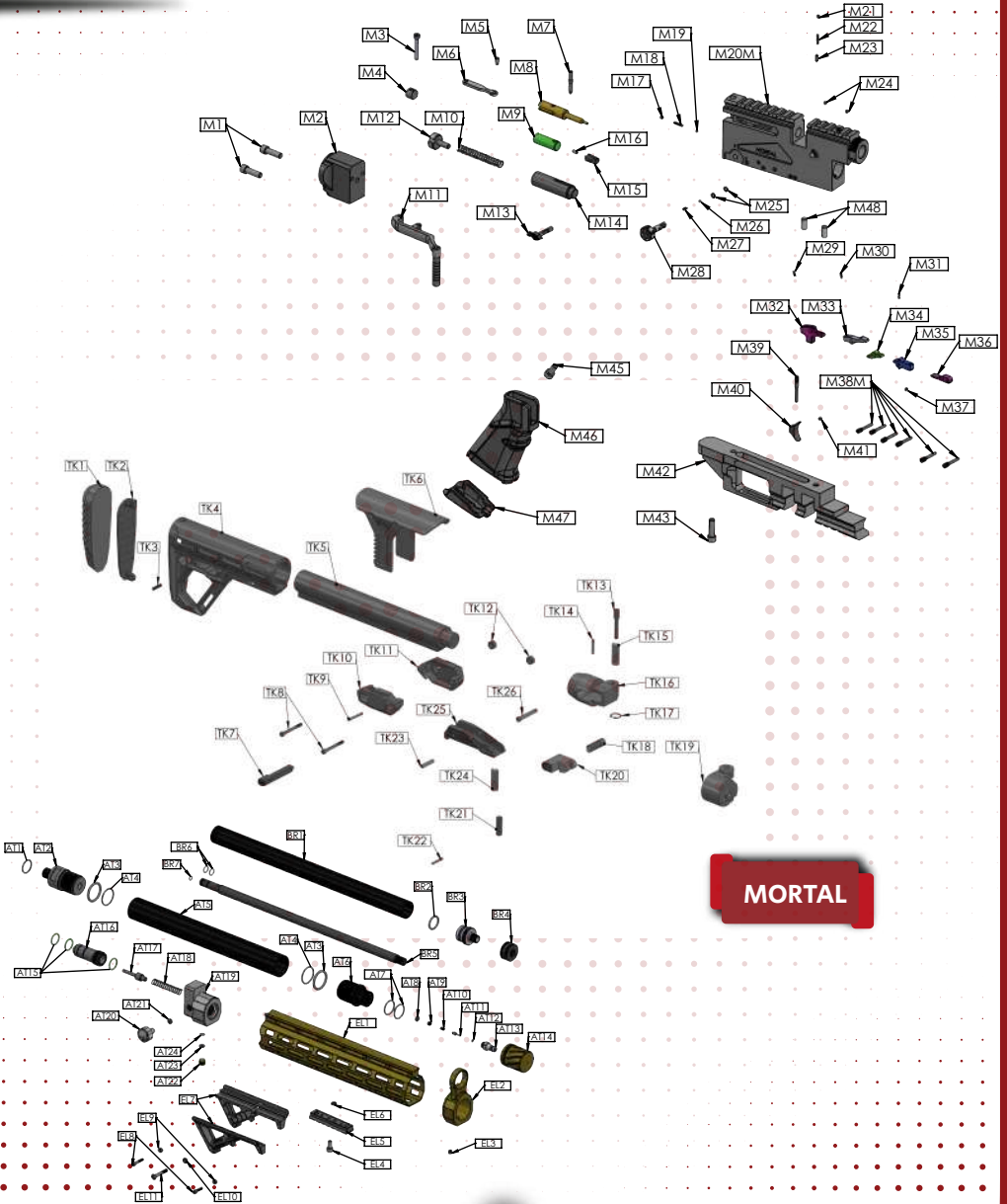
### NP-01

TK1	Butt Pad	M29	Trigger Spring
TK2	Butt Pad Fixing Part	M30	Inner Hammer Spring
TK3	Butt Pad Log Pin	M31	Locking Spring
TK4	Tactical Stock	M32NP	Trigger
TK5NP1	Tactical Fixing Tube	M33	Inner Hammer
TK6	Cheek Piece	M34	Loading Part
TK7	Cheek Piece Button	M35	Inner Hammer Holder
TK8	Cheek Piece Fixing Screws	M36	Hammer Holder Cover
TK9	Cheek Piece Button Spring	M37	Hammer Holder Adjustable Set-Screw
TK10	Cheek Piece Stock Right	M38	Trigger Group Fixing Pin
TK11	Cheek Piece Stock Left	M39	Trigger Wire
TK12	Cheek Piece Stock Nuts	M40	Trigger
TK21	Lock Pin	M41	Trigger Set-Screw
TK23	To and Fro Button Pin	M48	Valve Block Fixing Set-Screw
TK24	To and Fro Button Spring	M49	Loading Part Screw
TK25	To and Fro Button Button	M50	Trigger Loading Part
TK27	Tactical Stock Fixing Nut	M51	Trigger Wire Nut
TK28	Tactical Stock Fixing Screw	M52	Trigger Loading Part Pin
N05	Pulley	M53	Hammer to Receiver Screw
N06	Lower Picatinny	M59	Trigger box
N07	Lower Picatinny Screw	M60	Trigger Box Fixin Screw
N08	Lower Picatinny Nut	P04NP	Pulley
N10NP	Stock fixing Screw	P05NP	Trigger Spring
K28 NP	Stock	P06NP	Folding Stock Connecting Pin
M3	Cocking Lever fixing Screw	P07NP	Trigger Wire
M4	Cocking Lever Fixing Nut	P09NP	Short Pin
M5	Cocking Lever Combination Screw	P10NP	Long Pin
M6	Cocking Lever Connecting Part	BR5NP	Barrel
M7NP	Connecting Pin	BR6	Barrel Outer O-ring
M8	Needle	BR7	Barrel Inner O-ring
M9	Needle Connection Part	BR15	Barrel Nut
M10NP	Hammer Spring	AT3	Air Tank Front Valve Block O-ring(1)
M11NP	Cocking Lever	AT4	Air Tank Front Valve Block O-ring(2)
M12	Hammer setting screw	AT5NP	Air Tank Pipe
M13NP	Safety	AT7	Filling Port Valve Block O-ring
M14NP	Hammer	AT14NP	Filling Port Block Cover
M15	Needle Connection Part Spring	AT15	Valve Block O-rings
M16	Needle Spring Set-Screw	AT16NP	Valve Block
M17	Safety Set-Screw	AT17	Long Valve
M18	Safety Spring	AT18NP	Long Valve Spring
M19	Safety Ball	AT20	Manometer
M20NP	Receiver	AT21	Manometer Lower O-Ring
M21	Adjustable Power Set-Screw	AT22	Safety FixinG Part
M22	Adjustable Power Spring	AT23	Safety Lower O-Ring
M23	Adjustable Power Pin	AT24	Safety pulley
M24	Barrel Fixing Set-Screw	AT27	Valve Block Cover
M25	Adjustable Power O-Ring	AT28	Short Valve
M28NP	Adjustable Power Button	AT29	Short Valve Spring
		AT30NP	Filling Port Block Valve



# KRAL ARMS

## MECHANISM PARTS AND PART NUMBERS





# KRAL ARMS

## MECHANISM PARTS AND PART NUMBERS

### MORTAL

TK1	Butt Pad	M33	Inner Hammer
TK2	Butt Pad Fixing Part	M34	Loading Part
TK3	Butt Pad Log Pin	M35	Inner Hammer Holder
TK4	Tactical Receiver	M36	Hammer Holder Cover
TK5	Tactical Fixing Tube	M37	Hammer Holder f
TK6	Cheek Piece	M38M	Trigger Group Fixing Pin
TK7	Cheek Piece Button	M39	Trigger Wire
TK8	Cheek Piece Log Pin	M40	Trigger
TK9	Cheek Piece Button Spring	M41	Trigger Set-Screw
TK10	Cheek Piece Stock Right	M42	Trigger Guard
TK11	Cheek Piece Stock Left	M43	Trigger Guard Back Screw
TK12	Cheek Piece Stock Nuts	M44	Trigger Guard Front Screw
TK13	Tactical Folding Pin	M45	Grip Screw
TK14	Tactical Butt Pin	M46	Grip
TK15	Tactical Folding Pin Spring	M47	Grip Cover
TK16	Folding Stock	M48	Valve Block Fixing Set Screw
TK17	Folding Stock Connecting Pin	BR1	Barrel Shroud
TK18	Button Spring	BR2	Shroud Centering O-Ring
TK19	Block Fixing Stock	BR3	Shroud Centering Cap
TK20	Button	BR4	Shroud Centering Nut
TK21	Lock Pin	BR5	Barrel
TK22	Lock Fixing Pin	BR6	Barrel Outer O-ring
TK23	To and Fro Button Pin	BR7	Barrel Inner O-ring
TK24	To and Fro Button Spring	AT1	Air Tank Front Valve Block O-ring
TK25	To and Fro Button Button	AT2	Air Tank Front Valve Block
TK26	Tactical and Folding Fixing Pin	AT3	Air Tank Front Valve Block O-ring(1)
M1	Folding Connection Block Screw	AT4	Air Tank Front Valve Block O-ring(2)
M2	Folding Connection Block	AT5	Air Tube
M3	Cocking Lever Fixing Screw	AT6	Filling Port Valve Block
M4	Cocking Lever Fixing Nut	AT7	Filling Port Valve O-ring
M5	Cocking Lever Connecting Part Screw	AT8	Filling Port Lower O-ring
M6	Cocking Lever Connecting Part	AT9	Filling Port Set-Screw
M7	Connecting Pin	AT10	Filling Port Spring
M8	Needle	AT11	Filling Port Valve
M9	Needle Connection Part	AT12	Filling Port Valve O-ring
M10	Hammer Spring	AT13	Filling Port Stock
M11M	Cocking Lever	AT14	Filling Port Cover
M12	Hammer setting screw	AT15	Valve Block O-ring
M13	Safety	AT16	Valve Block
M14	Hammer	AT17	Long Valve
M15	Needle Spring	AT18	Long Valve Spring
M16	Needle Spring Set-Screw	AT19	Valve Block Stock
M17	Safety Set-Screw	AT20	Manometer
M18	Safety Spring	AT21	Manometer Lower O-ring
M19	Safety ball	AT22	Safety Fixing Part
M20M	Receiver	AT23	Safety Lower O-ring
M21	Adjustable Power Set-Screw	AT24	Burst Disc
M22	Adjustable Power Spring	EL1	Safety Pulley
M23	Adjustable Power Pin	EL2	Stock
M24	Barrel fixing Set-Screw	EL3	Fixing Ring Set Screw
M25	Adjustable Power O-Ring	EL4	Forend Lower Picatinny Screw
M26	Adjustable Power Ball	EL5	Forend Picatinny
M27	Adjustable Power Spring	EL6	Forend Picatinny Nut
M28	Adjustable Power Button	EL7	Handle Appar
M29	Trigger Spring	EL8	Handle Appar Fixing Screws
M30	Inner Hammer Spring	EL9	Handle Appar Fixing Nuts
M31	Inner Hammer	EL10	Handle Appar Picatinny Junction Nut
M32	Trigger	EL11	Handle Appar Picatinny Junction Screw



# KRAL ARMS

## MECHANISM PARTS AND PART NUMBERS



**REBORN**



# KRAL ARMS

## MECHANISM PARTS AND PART NUMBERS

### REBORN

N01	Butt Pad Screw	M32	Trigger
N02	Butt Pad	M33	Inner Hammer
N05	Reborn Receiver Fixing Pulley	M34	Loading Part
R01	Reborn Turkish Walnut Stock	M35	Inner Hammer Holder
R02	Receiver Fixing Screw	M36	Inner Hammer Cover
K12R	Picatinny Assemble Nut	M37	Hammer Holder Adjustable Set-Screw
K13R	Picatinny Assemble Screw	M38	Trigger Group Fixing Pin
M3	Cocking Lever Fixing Screw	M39	Trigger Wire
M4	Cocking Lever Fixing Nut	M40	Trigger
M5	Cocking Lever Combination Screw	M41	Trigger Set-Screw
M6	Cocking Lever Connecting Part	M53	Hammer to Receiver Screw
M7	Connecting Pin	BR1R	Barrel Shroud
M8	Needle	BR6	Barrel Outer O-ring
M9	Needle Connection Part	BR8	Barrel to Receiver Body
M10	Hammer Spring	BR9	Arrow Inner Oring
M11	Cocking Lever	BR10	Arrow Barrel
M12	Hammer setting screw	AT3	Air Tank Front Valve Block O-ring(1)
M13R	Safety	AT4	Air Tank Front Valve Block O-ring(2)
M14	Hammer	AT5R	Air Tank Pipe
M15	Needle Connection Part Spring	AT7	Filling Port Valve Block O-ring
M16	Needle Spring Set-Screw	AT14R	Filling Port Block Cover
M17	Safety Set-Screw	AT15	Valve Block O-Ring
M18	Safety Spring	AT16	Valve Block
M19	Safety Ball	AT17	Long Valve
M20R	Receiver	AT18	Long Valve Spring
M21	Adjustable Power Set-Screw	AT19R	Air Tube Block
M22	Adjustable Power Spring	AT20R	Manometer
M23	Adjustable Power Pin	AT27	Valve Block Cover
M24	Barrel Fixing Set-Screw	AT28	
M25	Adjustable Power O-Ring	AT29	Short Valve Spring
M28R	Adjustable Power Button	AT32R	Barrel Air Tube Ring
M29	Trigger Spring	AT34	Ring Screw
M30	Inner Hammer Spring	AT35	Filling Port Block
M31	Locking Spring	AT36	Manometer Lower O-Ring



**KRAL ARMS**

**PRODUCT**

Type : \_\_\_\_\_  
Brand : \_\_\_\_\_  
Model : \_\_\_\_\_  
Serial : \_\_\_\_\_  
Caliber : \_\_\_\_\_  
Barrel Length : \_\_\_\_\_

Delivery Date and Location : \_\_\_\_\_  
Maximum Date Time : 20 Days  
Warranty Period : 2 Years

**WARRANTY CERTIFICATE**



**KRAL ARMS**

**CUSTOMER**

Name : \_\_\_\_\_  
Surname : \_\_\_\_\_  
Address : \_\_\_\_\_  
Tel : \_\_\_\_\_  
ID : \_\_\_\_\_

**SELLING COMPANY**

Title : \_\_\_\_\_  
Address : \_\_\_\_\_  
Tel : \_\_\_\_\_  
Invoice Date : \_\_\_\_\_  
Invoice Number : \_\_\_\_\_  
Signature : \_\_\_\_\_

**Producer / Importer Company**

**KRAL ARMS**  
Tel: 0332 524 68 70 Px : 0332 524 68 71  
www.kralarms.com  
P.K. 42720 - Beyşehir/KONYA



**KRAL ARMS**



+90332 524 68 70



+90332 524 68 71



export@kralarms.com



www.kralarms.com



42720 - Beyşehir / KONYA

